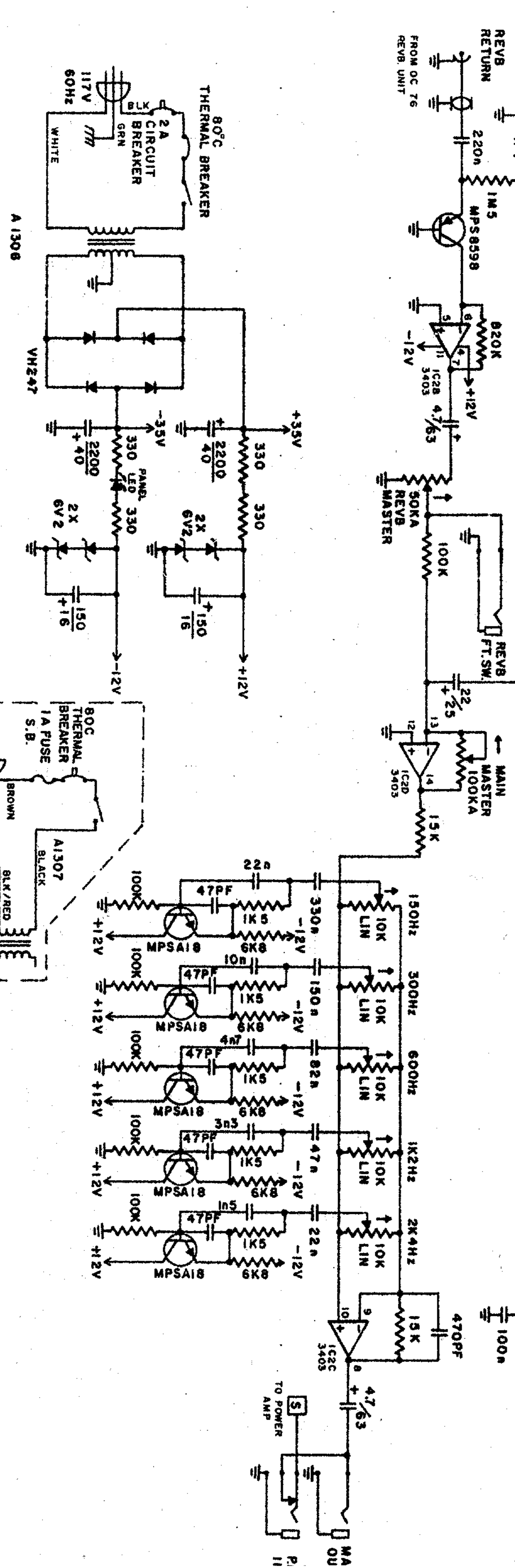
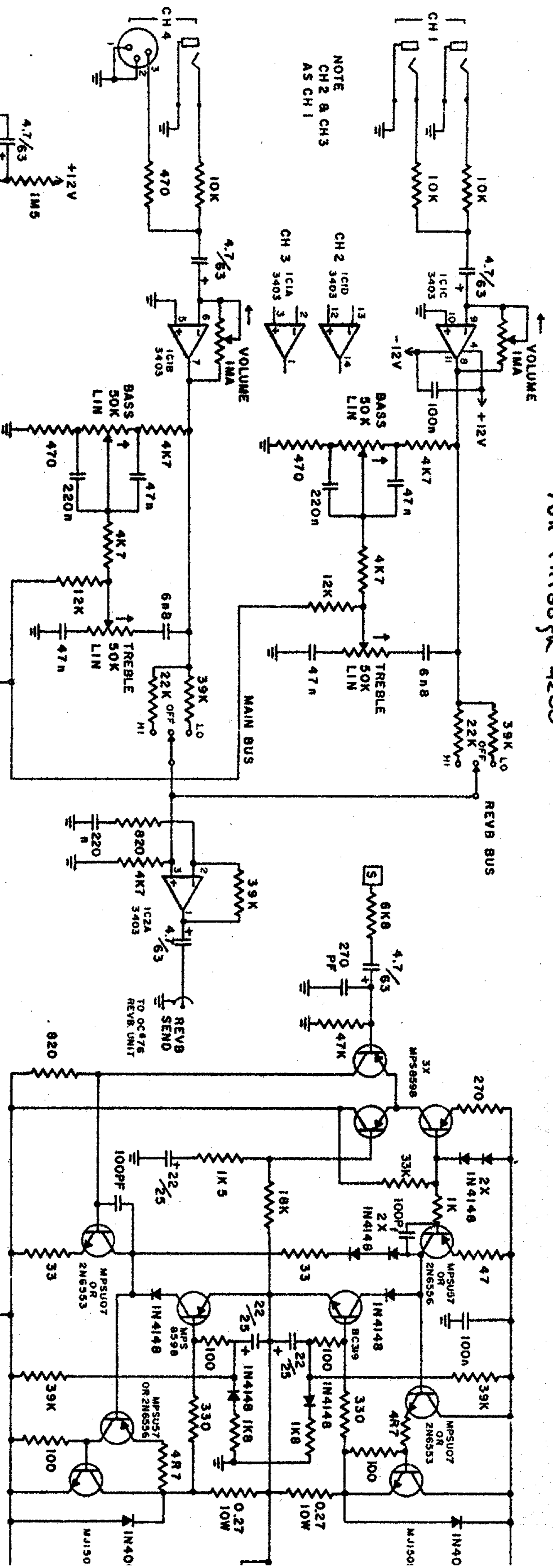


change 10K input resistor to 100K so the 800005 can run through 4200



© 1973 100075 Jantzen 487

4200MIXER  
YORKVILLE S

DATE OCT 26 1977  
DESIGN E. VON VA  
J. D. CUMM  
DWG. JETARSEY  
CHECKED - JVC