



SERVICE MANUAL

nx550p

TYPE: YS1002

WEB ACCESS: <http://www.yorkville.com>

WORLD HEADQUARTERS CANADA

Yorkville Sound
550 Granite Court
Pickering, Ontario
L1W-3Y8 CANADA

Voice: (905) 837-8481
Fax: (905) 837-8746

U.S.A.

Yorkville Sound Inc.
4625 Witmer Industrial Estate
Niagara Falls, New York
14305 USA

Voice: (716) 297-2920
Fax: (716) 297-3689



Quality and Innovation Since 1963
Printed in Canada



IMPORTANT SAFETY INSTRUCTIONS



INSTRUCTIONS PERTAINING TO A RISK OF FIRE, ELECTRIC SHOCK, OR INJURY TO PERSONS.

INSTRUCTIONS RELATIVES AU RISQUE DE FEU, CHOC ÉLECTRIQUE, OU BLESSURES AUX PERSONNES.

CAUTION:

TO REDUCE THE RISK OF ELECTRIC SHOCK, DO NOT REMOVE COVER (OR BACK). NO USER SERVICEABLE PARTS INSIDE.

REFER SERVICING TO QUALIFIED SERVICE PERSONNEL.

AVIS:

AFIN DE REDUIRE LES RISQUE DE CHOC ELECTRIQUE, N'ENLEVEZ PAS LE COUVERT (OU LE PANNEAU ARRIERE). NE CONTIENT AUCUNE PIECE REPARABLE PAR L'UTILISATEUR.

CONSULTEZ UN TECHNICIEN QUALIFIE POUR L'ENTRETIEN.

Read Instructions:

The *Owner's Manual* should be read and understood before operation of your unit. Please, save these instructions for future reference.

Packaging:

Keep the box and packaging materials, in case the unit needs to be returned for service.

Warning:

When using electric products, basic precautions should always be followed, including the following:

Power Sources:

Your unit should be connected to a power source only of the voltage specified in the owners manual or as marked on the unit. This unit has a polarized plug. Do not use with an extension cord or receptacle unless the plug can be fully inserted. Precautions should be taken so that the grounding scheme on the unit is not defeated.

Hazards:

Do not place this product on an unstable cart, stand, tripod, bracket or table. The product may fall, causing serious personal injury and serious damage to the product. Use only with cart, stand, tripod, bracket, or table recommended by the manufacturer or sold with the product. Follow the manufacturer's instructions when installing the product and use mounting accessories recommended by the manufacturer.

The apparatus should not be exposed to dripping or splashing water; no objects filled with liquids should be placed on the apparatus.

Terminals marked with the "lightning bolt" are hazardous live; the external wiring connected to these terminals require installation by an instructed person or the use of ready made leads or cords.

No naked flame sources, such as lighted candles, should be placed on the apparatus.

Power Cord:

The AC supply cord should be routed so that it is unlikely that it will be damaged. If the AC supply cord is damaged **DO NOT OPERATE THE UNIT.**

Service:

The unit should be serviced only by qualified service personnel.

Veillez lire le manuel:

Il contient des informations qui devraient étre comprises avant l'opération de votre appareil. Conservez S.V.P. ces instructions pour consultations ultérieures

Emballage:

Conservez la boîte au cas ou l'appareil devait étre retourner pour réparation.

Attention:

Lors de l'utilisation de produits électrique, assurez-vous d'adhérer à des précautions de bases incluant celle qui suivent:

Alimentation:

L'appareil ne doit étre branché qu'à une source d'alimentation correspondant au voltage spécifié dans le manuel ou tel qu'indiqué sur l'appareil. Cet appareil est équipé d'une prise d'alimentation polarisée. Ne pas utiliser cet appareil avec un cordon de raccordement à moins qu'il soit possible d'insérer complètement les trois lames. Des précautions doivent étre prises afin d'éviter que le système de mise à la terre de l'appareil ne soit désengagé.

Risque:

Ne pas placer cet appareil sur un chariot, un support, un trépied ou une table instables. L'appareil pourrait tomber et blesser quelqu'un ou subir des dommages importants. Utiliser seulement un chariot, un support, un trépied ou une table recommandés par le fabricant ou vendus avec le produit. Suivre les instructions du fabricant pour installer l'appareil et utiliser les accessoires recommandés par le fabricant.

Il convient de ne pas placer sur l'appareil de sources de flammes nues, telles que des bougies allumées.

L'appareil ne doit pas étre exposé à des égouttements d'eau ou des éclaboussures et qu'aucun objet rempli de liquide tel que des vases ne doit étre placé sur l'appareil.

Les dispositifs marqués d'une symbole "d'éclair" sont des parties dangereuses au toucher et que les câblages extérieurs connectés à ces dispositifs de connection extérieure doivent étre effectués par un opérateur formé ou en utilisant des cordons déjà préparés.

Cordon d'alimentation:

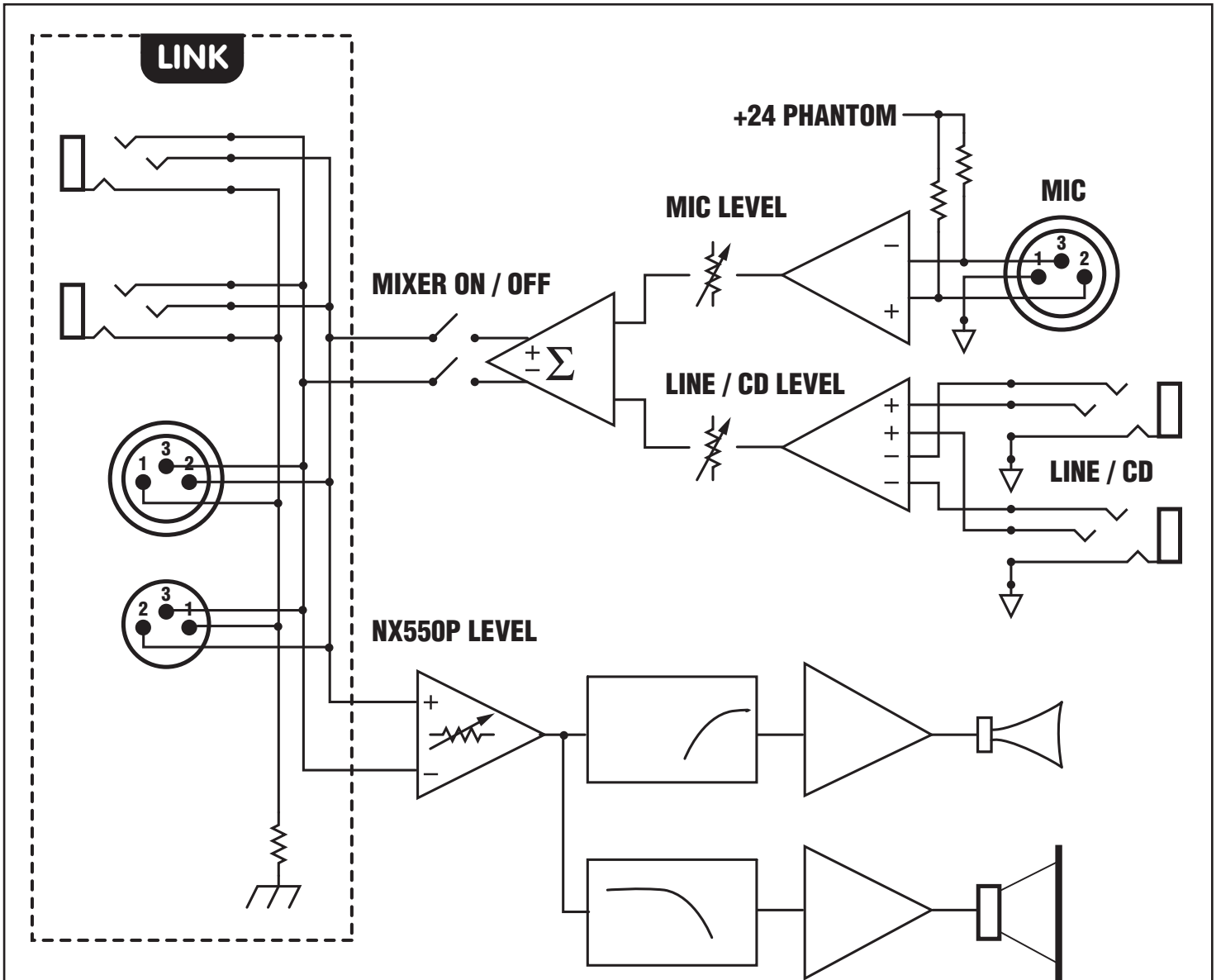
Évitez d'endommager le cordon d'alimentation. **N'UTILISEZ PAS L'APPAREIL** si le cordon d'alimentation est endommagé.

Service:

Consultez un technicien qualifié pour l'entretien de votre appareil.

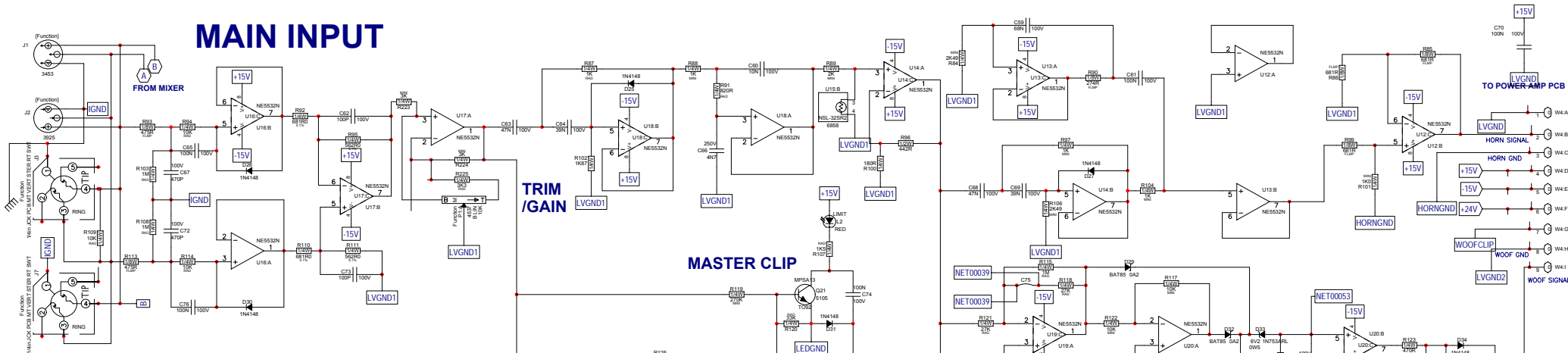
nx550p Parts List 3/23/2004

YS #	Description	Qty.	YS #	Description	Qty.	YS #	Description	Qty.	YS #	Description	Qty.
5906	RED 3MM LED 1V9 20MA .4SPCER T&R	1	5281	10U 16V 20%CAP T&R RAD .2"NP	1	4799	1/4W 562R 1% T&R RES	2	3751	SNAP IN 5/16 SPACER RICHCO	9
5907	YEL 3MM LED 1V9 20MA .4SPCER T&R	1	5945	10U 63V 20%CAP T&R RAD .2"EL	3	5014	1/4W 562R0 0.1% *** T&R RES	2	3851	1/2 PCB PLASTIC SPACER	6
5908	GRN 3MM LED 1V9 20MA .4SPCER T&R	1	5260	22U 50V 20%CAP T&R RAD .2"EL	2	2030	1/8W 681R 1%FLAME PROOF T&R RES	3	3859	1/2 PLASTIC HEX SPACER #4	2
8825	1N4148 75V 0A45 DIODE T&R	21	5631	22U 50V 20%CAP T&R 6X7MM .2"EL	2	4743	1/4W 681R0 0.1% *** T&R RES	2	2/150YAM	12" 4R 450VPGM NEO SPEAKER B&C	1
8892	UF4004 200V 1A0 DIODE ULTRAFAS	1	5961	33U 16V 20%CAP T&R RAD .2"NP	6	4923	1/4W 680R 5% .2"U T&R RES	1	8908	#10 SAE FLAT WASHER .25"ID .565" OD	2
6438	1N4007 400V 1A0 DIODE T&R	2	5265	68U 25V 20%CAP T&R RAD .2"EL	1	4925	1/4W 820R 5% .2"U T&R RES	1	8667	SHOULDER WASHER SWS-229 LENGTH 1/8	4
6827	1N5402 200V 3A0 DIODE	8	5887	2200U 50V 20%CAP BLK 18X27MM EL	4	4934	1/4W 1K 5% .2"U T&R RES	2	8482	3/8 1D FLAT WASHER	4
6934	MR854 400V 3A0 DIODE FASREC	2	5858	2700U 180V 20%CAP RAD 35X63MM ELS	2	4981	1/4W 1K 5%MINI T&R RES	14	3522	DPDT MINI PC VERT SNP ALT	2
6421	MR752 200V 6A0 DIODE	4	4537	10K B LIN 9MM DETENT P25	2	6110	1/4W 1K0 1%MINI MF T&R RES	4	3585	DPDT ROKR SW QUIK 250" APC/PWR IEC65	1
6733	BAT85 30V 0A2 DIODE SCHTKYT&R	6	4566	10K B LIN 9MM P25	2	4996	1/4W 1K070 0.1% *** T&R RES	1	3395	THERMO/BRKR-N/CLOSED OPEN@82C	1
6440	1N750ARL 4V7 0W5 ZENER 5% T&R	3	4546	50K B LIN 9MM DETENT P25	1	4585	1/4W 1K2 5%MINI T&R RES	2	CH1254	NX520P POWER TRFMR TRD	1
6436	1N753ARL 6V2 0W5 ZENER 5% T&R	2	706	1/2"X24"X250" DURABUBBLE	5	4769	1/4W 1K4 1% T&R RES	5			
6461	1N5240BRL 10V0 0W5 ZENER 5% T&R	1	713	25 X 20 X 50 2 MIL PLASTIC BAG	1	2034	1/8W 1K5 5%FLAME PROOF T&R RES	2			
6450	1N5242B 12V0 0W5 ZENER 5% T&R	3	6492	1300UH COIL COMMON MODE 4AMP	1	4935	1/4W 1K5 5% .2"U T&R RES	3			
6824	1N5246B 16V0 0W5 ZENER 5% T&R	2	8487	ADAPTOR,SPEAKER STAND,PLASTIC,LARGE	1	4993	1/4W 1K87 1% T&R RES	1			
6432	1N5248B 18V0 0W5 ZENER 5% T&R	2	8545	RECESSED RUBBER BUMPER WITH WASHER	4	4683	1.0W 1K8 5% T&R RES	1			
6465	1N5250B 20V0 0W5 ZENER 5% T&R	1	3478	CLIP 205/187X032 18-22AWG DISCO/INS	1	4946	1/4W 2K 5% .2"U T&R RES	2			
6463	1N5251BRL 22V0 0W5 ZENER 5% T&R	1	3485	CLIP 250X032 18-22AWG RIGHT ANGL	4	6113	1/4W 2K 5%MINI T&R RES	3			
6426	1N5254B 27V0 0W5 ZENER 5% T&R	1	3489	CLIP 250X032 18-22AWG DISCO/INSL	4	4705	2.0W 2K2 5% BLK RES	2			
6728	MC78L05ACP TO92 P 5V0 REG T&R V4	1	3490	CLIP 250X032 14-16AWG DISCO/INSL	6	6104	1/4W 2K2 5%MINI T&R RES	5			
6871	MC7915CT TO220 N 15V0 REG V2	1	3682	250 MALE PCB TAB REEL	13	2035	1/4W 2K21 1%FLAME PROOF T&R RES	2			
6872	MC7815CT TO220 P 15V0 REG V1	1	3921	1/4" JCK PCB MT VERT STER RT SWT	4	6114	1/4W 2K49 1%MINI MF T&R RES	6			
5101	BC550C TO92 NPN TRAN T&R TB	1	3453	XLR MALE PCB MT VERT	1	4936	1/4W 2K7 5% .2"U T&R RES	1			
5102	BC560C TO92 PNP TRAN T&R TB	3	3925	XLR FEML PCB MT VERT 24MM U-CONT	2	6124	1/4W 3K 5%MINI T&R RES	2			
5103	MPSA06 TO92 NPN TRAN T&R TA	1	3451	EYELET SMALL 0.089 OD PLATED	19	4938	1/4W 3K3 5% .2"U T&R RES	2			
5107	2N5551 TO92 NPN TRAN T&R TA	2	3482	LOWPROFILE FUSEHOLDER 1/4" BUSMANN	1	4850	1/4W 3K9 5% T&R RES	1			
5108	2N5401 TO92 PNP TRAN T&R TA	4	2410	4.0 AMP FAST-BLO .25X1.25 FUSSE	1	4774	1/4W 4K12 1% T&R RES	2			
5114	MPSA92 TO92 PNP TRAN T&R TA	2	2487	7.0 AMP SLO-BLO ZINC FUSE	2	4943	1/4W 4K7 5% .2"U T&R RES	8			
5105	MPSA13 TO92 NPN DARL T&R TA	1	8540	HANDLE BAR, ZINC DIECAST	1	4982	1/4W 4K7 5%MINI T&R RES	3			
5119	2N5638 TO92 NCH JFET T&R TC	2	8604	10-32 T NUT	14	4665	5.0W 8K2 5% BLK RES	4			
6873	MJE340 TO126 NPN TRAN TG	1	HD120	8R 40W TDRIVER HD1208R	1	4978	1/4W 6K8 5%MINI T&R RES	6			
6911	BDX54C TO220 PNP TRAN DARL TE	1	3501	B62200F006 COMP WASH #4 SMALL	9	4768	5.0W 12K 5% BLK RES	1			
6912	BDX53C TO220 NPN TRAN DARL TE	1	8726	3/8-16X11/2 GRDS FLAT SKT HD PLAIN	3	4940	1/4W 10K 5% .2"U T&R RES	12			
6914	IRFP350 TO247 NCH MFET TM	2	3645	AC SOCKET RECEPTACLE WITH 0.250 TAB	1	4983	1/4W 10K 5%MINI T&R RES	2			
6931	IRFP140N TO247 NCH MFET TM	1	3810	4" NYLON CABLE TIE	12	6116	1/4W 10K0 1%MINI MF T&R RES	8			
6932	IRFP9140N TO247 PCH MFET TM	1	3841	5.5" NYLON CABLE TIE	6	4979	1/4W 15K 5%MINI T&R RES	4			
6804	MC33079P IC QUAD OP AMP	1	3852	STICK ON CABLE WRAP ANCHOR	1	4954	1/4W 18K 5% .2"U T&R RES	2			
6840	MC33078P IC DUAL OP AMP	1	8392	RED STYLE 1 KNOB	1	6125	1/4W 18K 5%MINI T&R RES	1			
6884	NE5532N IC DUAL OP AMP	16	8393	GREY STYLE 1 KNOB	2	6118	1/4W 22K 5%MINI T&R RES	3			
6640	LM311 IC VOLTAGE COMPARATOR	3	8394	GREEN STYLE 1 KNOB	2	4966	1/4W 27K 5% .2"U T&R RES	3			
6745	LM13600N IC XCONDUCTANCE AMP	1	3426	8' 3/16 SJT AC LINE CORD REMOVE-SCA	1	4941	1/4W 30K 5% .2"U T&R RES	1			
6603	74HC14N IC HEX INV SCHMID	2	8240D	Y" LOGO SML DOMED YORKVILLE BLUE	1	4947	1/4W 33K 5% .2"U T&R RES	3			
6605	74HC86N IC QUAD 2INP XOR	1	3786	.233UH CHOKE 80T20AWG/77091MAGNTKS	1	4868	1/4W 36K 5% T&R RES	1			
6964	74HC74N IC DUAL FLIPFLOP	1	82CORE	77091-A7 KOOL-UM TOROID CORE	1	4794	1/4W 37K90 0.1% *** T&R RES	4			
6887	IR2110 IC HILO FET DRIVER	1	3549	TRIFURCON TERM .156	8	4927	1/4W 47K 5% .2"U T&R RES	6			
6858	NSL-32SR2 OPTO-COUPLER LDR	2	3559	TERM HOUSING 8 CIR .156/RAMP	1	6119	1/4W 47K 5%MINI T&R RES	5			
5401	10P 500V 5%CAP T&R RAD CER.2"NPO	1	3674	9 CIR CABLE HOLDER .098	1	4928	1/4W 56K 5% .2"U T&R RES	1			
5817	15P 100V 2%CAP T&R RAD CER.2"NPO	1	8701	4-40 KEPS NUT ZINC	9	4929	1/4W 82K 5% .2"U T&R RES	1			
5406	33P 50V 10%CAP BLK BEAD NPO	2	8787	8-32 KEPS NUT ZINC	3	4942	1/4W 100K 5% .2"U T&R RES	1			
5203	47P 100V 2%CAP T&R RAD CER.2"NPO	2	8603	3/8-16 T NUT	3	4638	1/2W 150K 5% T&R RES	1			
5199	100P 100V 2%CAP T&R RAD CER.2"NPO	1	8797	5/16-18 KEPS NUT JS500	1	4839	1/4W 150K 5% T&R RES	1			
5410	100P 100V 10%CAP T&R BEAD NPO	1	3884	SARCON THERMAL GASKET 4.55"X1.00"	1	4796	1/4W 180K 5%MINI T&R RES	1			
5412	220P 100V 10%CAP T&R BEAD NPO	2	4004	9 CIR WAFER WL/CK VT 0.1"	1	6135	1/4W 270K 5%MINI T&R RES	1			
5201	470P 100V 5%CAP T&R RAD CER.2"NPO	5	4599	22AWG SOLID SC WIR T&R JMP	3	6127	1/4W 470K 5%MINI T&R RES	1			
5816	680P 100V 5%CAP T&R RAD CER.2"NPO	4	5298	24AWG SOLID SC WIR RAD JMP	2	4948	1/4W 1M 5% .2"U T&R RES	10			
5422	1N 50V 10%CAP T&R BEAD NPO	2	4660	5.0W 0R047 5% BLK RES	2	4951	1/4W 4M7 5% .2"U T&R RES	1			
5208	2N2 400V 5%CAP T&R RAD .2"FLM	2	2005	1.0W 0R47 5%FLAME PROOF T&R RES	4	3535	10" 9C-26AWG RIB 1 WL/CK HDR 098	1			
5275	3N3 100V 5%CAP T&R RAD .2"FLM	3	4682	1/2W 1R 5%PHILIPS SMAL T&R RES	1	3696	RELAY 1C 02AMP DC24 006MA PC-S	1			
5209	4N7 250V 5%CAP T&R RAD .2"FLM	2	4911	1/4W 2R2 5% T&R RES	1	3790	EMI FILTER FOR RIBBON CABLE	1			
6451	4N7 250V 20%CAP BLK Y 10MM AC	1	4813	1/4W 6R2 5% T&R RES	2	8865	4-40 X 5/16 PAN PH MS JS500	4			
5271	5N6 100V 5%CAP T&R RAD .2"FLM	1	2010	1/8W 10R0 2%FLAME PROOF T&R RES	4	8861	4-40 X 3/8 PAN PH MS JS500	1			
5204	10N 100V 10%CAP T&R RAD .2"FLM	3	4815	1/4W 12R 5% T&R RES	2	8871	4-40 X 5/8 PAN PH MS JS500	9			
5210	22N 100V 10%CAP T&R RAD .2"FLM	1	6134	1/4W 47R 5%MINI T&R RES	1	8842	#4 X 5/16 PAN QUAD TYPE A JS500 BLK	6			
6435	22N 275V 20%CAP BLK X2 15MM AC	1	2018	1/8W 75R 2%FLAME PROOF T&R RES	3	8832	6-32 X 1/4 PAN PH TAPTITE JS500	19			
5223	39N 100V 10%CAP T&R RAD .2"FLM	2	2019	1/8W 100R0 1%FLAME PROOF T&R RES	3	8801	6-32 X 3/8 PAN PH TAPTITE JS500	2			
5224	47N 100V 10%CAP T&R RAD .2"FLM	5	4921	1/4W 100R 5% .2"U T&R RES	1	8796	6-32 X 5/8 PAN PH TAPTITE ZINC	7			
5226	68N 100V 5%CAP T&R RAD .2"FLM	3	4984	1/4W 150R 5%MINI T&R RES	1	8983	#10 X 3 1/2 FLAT SOCKET WOOD ZINC CL	6			
5212	100N 63V 5%CAP T&R RAD .2"FLM	51	4819	1/4W 180R 5% T&R RES	1	8803	8-32 X 3/8 PAN QUAD TAPTITE JS500	7			
5228	100N 100V 5%CAP T&R RAD .2"FLM	1	4944	1/4W 220R 5% .2"U T&R RES	3	8804	8-32X1.25 PAN PH MS ZINC CLEAR	4			
5314	100N 50V 10%CAP T&R BEAD X7R	2	4977	1/4W 220R 5%MINI T&R RES	2	8756	#10 X 3/4 PAN PH TYPE A BLACK OXIDE	6			
5231	220N 63V 10%CAP T&R RAD .2"FLM	4	2024	1/8W 249R 2%FLAME PROOF T&R RES	2	8781	#10 X 7/8 FLAT PHIL TYPE A JS500BLK	2			
5233	330N 63V 5%CAP T&R RAD .2"FLM	2	4945	1/4W 270R 5% .2"U T&R RES	1	8843	10-32 X 1 1/8 FLAT PH MS JS500	6			
5234	470N 63V 10%CAP T&R RAD .2"FLM	1	2025	1/8W 274R 1%FLAME PROOF T&R RES	1	8786	10-32 X 1 1/4 PAN OD MS JS500 BLACK	4			
5266	680N 250V 20%CAP BLK X2 30MM AC	1	4789	1/4W 324R0 0.1% *** T&R RES	1	8773	10-32 X 1 1/4 PN PH TT FULL THD JS5	4			
5255	1U 63V 20%CAP T&R RAD .2"EL	3	2026	1/4W 332R0 1%FLAME PROOF T&R RES	1	8862	#10 X 1 1/2 PAN PH TYPE A JS500	4			
5257	2U2 63V 20%CAP T&R RAD .2"EL	2	4690	1/2W 442R 1% T&R RES	1	8632	ROUND PUSH BUTTON 1/4" GREY	2			
5949	3U3 140V 20%CAP BLK RAD POLY FLM	3	2028	1/8W 475R 1%FLAME PROOF T&R RES	2	8928	#14X11/4 ALLEN FLHD WOOD SCRW JS500	4			
5951	3U3 340V 20%CAP BLK RAD POLY FLM	1	4933	1/4W 470R 5% .2"U T&R RES	2	8714	1/4-20 X 2 PAN QUAD JS500	2			
5258	4U7 63V 20%CAP T&R 8X7MM .2"EL	1	4980	1/4W 470R 5%MINI T&R RES	2	8768	5/16-18X2 1/2 CARRIAGE BOLT ZINC	1			
5259	4U7 63V 20%CAP T&R RAD .2"EL	4	5015	1/4W 475R0 0.1% *** T&R RES	1	8985	M5 X 60 PAN PHIL MS JS500 BLACK	2			



- NOTES:**
- ALL LINK CONNECTIONS FUNCTION AS INPUTS OR OUTPUTS.
 - EXTERNAL MIXERS CONNECT TO LINK INPUTS

MAIN INPUT

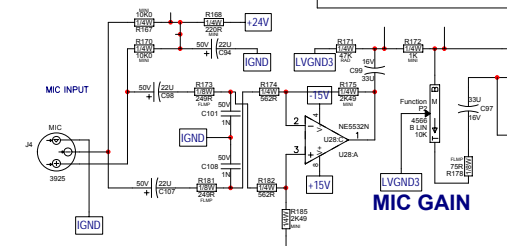
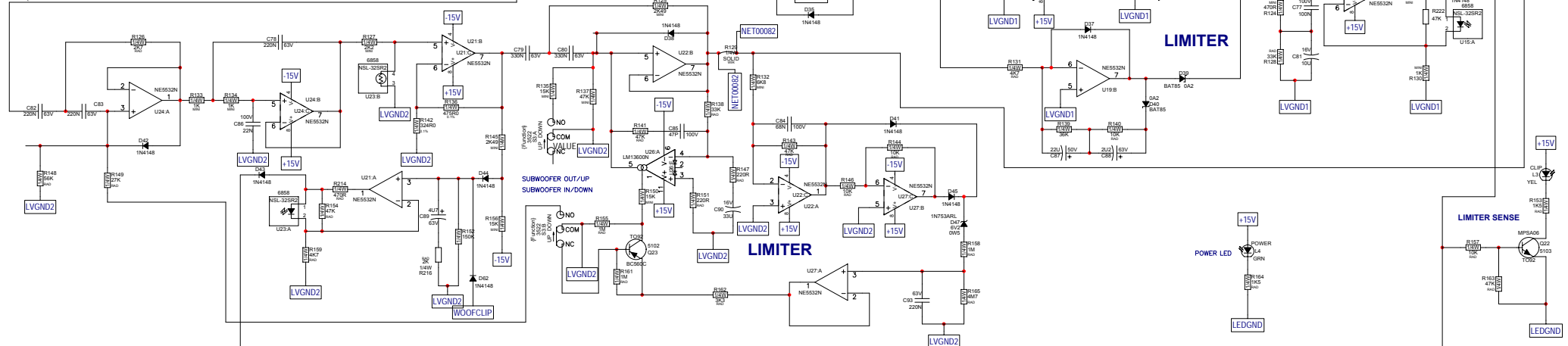


TRIM /GAIN

MASTER CLIP

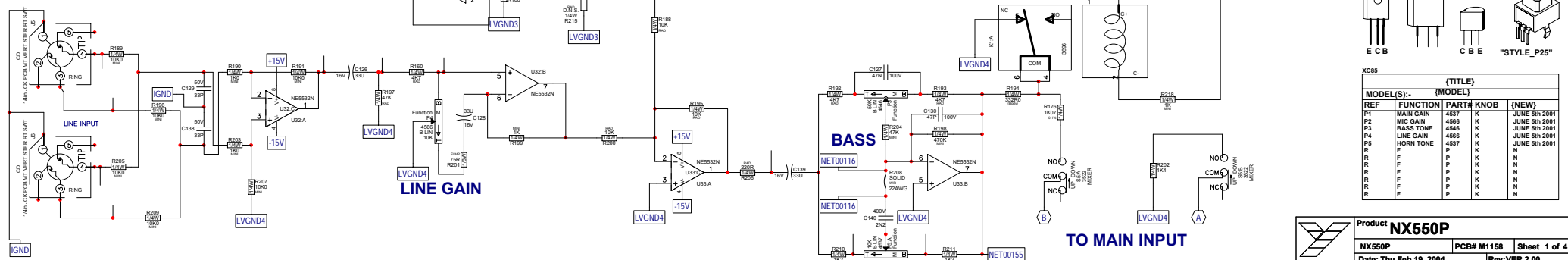
LIMITER

LIMITER



MIC GAIN

MIXER SECTION

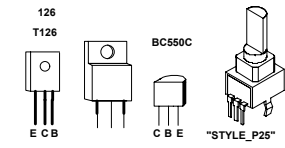


LINE GAIN

BASS

TREBLE

M1158.PCB_DATABASE_HISTORY		
MODEL(S)-	VER#	DESCRIPTION OF CHANGE
#	DATE	DESCRIPTION OF CHANGE
1	AUG 25 2003	1.0001 Derived from M1159
2	OCT/03/2003	1.0001 pc#6629 R109 100K->10K, R223 2K2->3K R224 15K->3K R112 DELETED PC#6630 R101 681R->1K0, C61 47N->100N C78 330N->220N, C79 220N->330N, 220N->330N
3		
4	D	N
5	D	N
6	D	N
7	D	N
8	11-FEB-2004	2.0001 Increased spacing on P5 to 6mm to comply w/ IEC tests
9	D	N
10	D	N
11	D	N
12	D	N
13	D	N
14	D	N



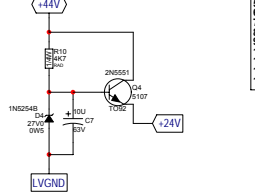
MODEL(S)- (TITLE)				
REF	FUNCTION	PART#	KNOB	(NEW)
P1	MAIN GAIN	4566	K	JUNE 9th 2001
P2	MIC GAIN	4566	K	JUNE 9th 2001
P3	BASS TONE	4566	K	JUNE 9th 2001
P4	LINE GAIN	4566	K	JUNE 9th 2001
P5	HORN TONE	4537	K	JUNE 9th 2001
R1	F	P	K	N
R2	F	P	K	N
R3	F	P	K	N
R4	F	P	K	N
R5	F	P	K	N
R6	F	P	K	N

M1158.PCB_DATABASE_HISTORY				
MODEL(S):-	NX550P			
#	DATE	VER#	DESCRIPTION OF CHANGE	
1	D	AUG 24 2003	V	Derived from M1159
2	D		V	
3	D		V	
4	D		V	
5	D		V	
6	D		V	
7	D		V	
8	D		V	
9	D		V	
10	D		V	
11	D		V	
12	D		V	
13	D		V	

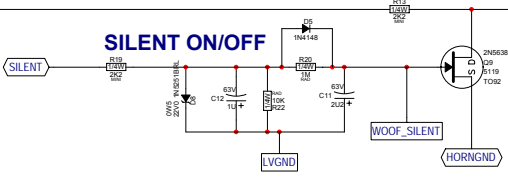
MAY/22/2003 4.20 DE-72P DRIVER TO #7401 DE-72P TITANIUM DRIVER

HORN AMP

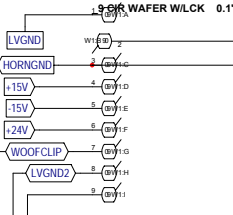
PHANTOM SUPPLY



SILENT ON/OFF

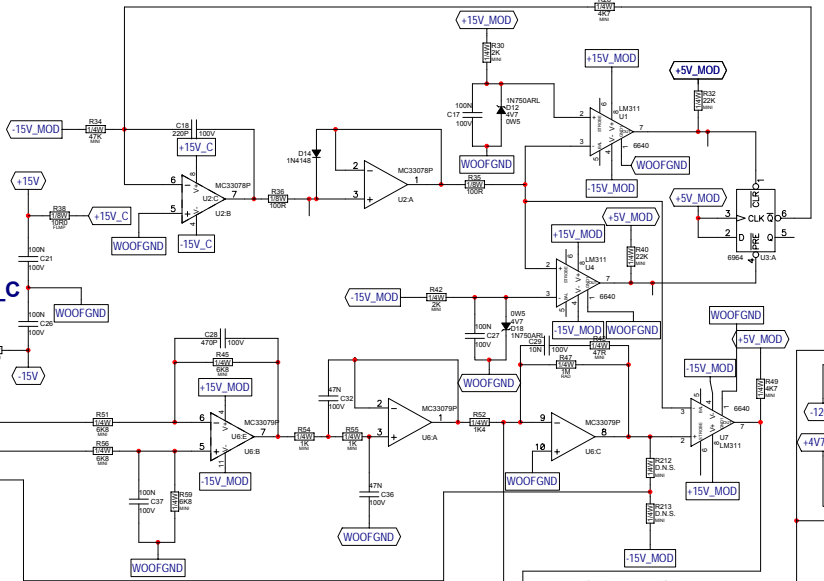


FROM INPUT PCB

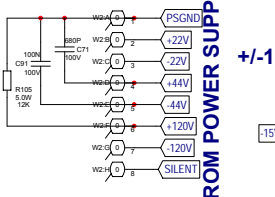


WOOFER AMP

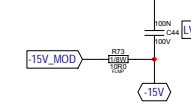
+/-15V_C



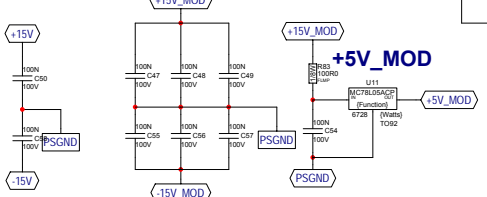
FROM POWER SUPPLY



+/-15V_MOD

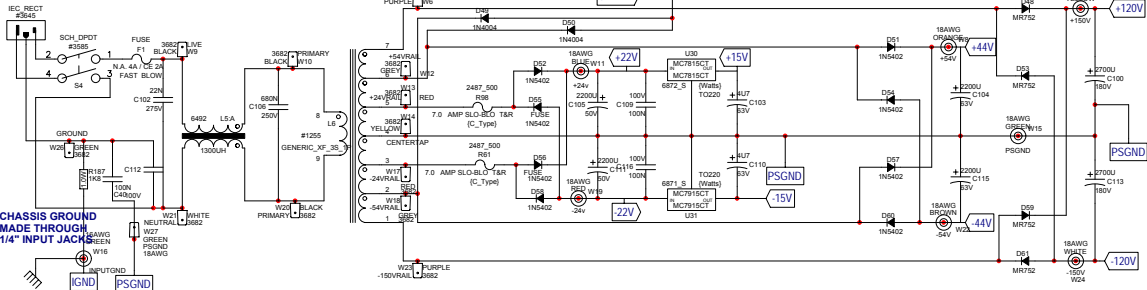


+5V_MOD



POWER SUPPLY

TO POWER AMP PCB

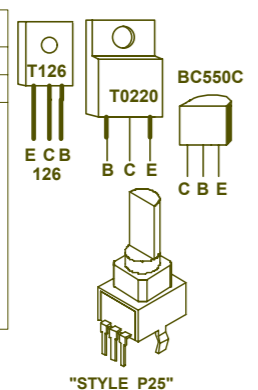


CHASSIS GROUND
MADE THROUGH
1/4" INPUT JACKS

IGND
PSGND

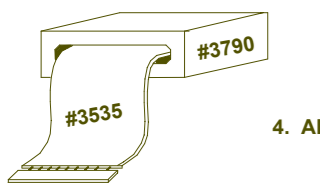
M1158.PCB_DATABASE_HISTORY			
MODEL(S):-	NX550P	VER#	DESCRIPTION OF CHANGE
1	JUN/25/2003	1.00P1	DERIVED FROM M1159A
2			PC#6620 FLIP POARITY OF CD/LINE AND MIC INPUTS
3			REDO LEVEL CONTROL CIRCUIT ADD R223-224-225
4	OCT/03/2003	V 1.00	PC# R109 100K->10K, R223 2K2->3K R224 15K->3K, DEL R112. PC#6630 R101 681R->1K0, C61 47N->
5			->100N C78 330N->220N C79 220N->330N C80 220N->330N
6			
7	11-FEB-2004	2.00	Increased spacing on PS to 6mm to comply w/ IEC tests
8	D	V	N
9	D	V	N
10	D	V	N
11	D	V	N
12	D	V	N
13	D	V	N

M1158						
MODEL(S):-	NX550P	REF	FUNCTION	PART#	KNOB	{NEW}
P1			MAIN GAIN	4537	K	JUNE 5th 2001
P2			MIC GAIN	4566	K	JUNE 5th 2001
P3			BASS TONE	4546	K	JUNE 5th 2001
P4			LINE GAIN	4566	K	JUNE 5th 2001
P5			HORN TONE	4537	K	JUNE 5th 2001
F					K	N
F					K	N
F					K	N
F					K	N
F					K	N
F					K	N
F					K	N



PRODUCTION NOTES

- NOTE THAT THERE ARE SEVERAL LINES ON THE DSBOTMASK LAYER. THESE MAY BE USED FOR MARCONI TEST POINTS SO HAVE THIS LAYER ON IF DOING ANY MODIFICATIONS.
- NOTE THAT HORN WIRES FOR NX520P AND EF500P ARE OPPOSITE IN COLOR W.R.T. PCB INSERTION. CHECK PROPER LAYOUT FOR CORRECT COLORS
- SLIDE EMI FILTER OVER RIBBON BEFORE INSERTING INTO P.C.B.



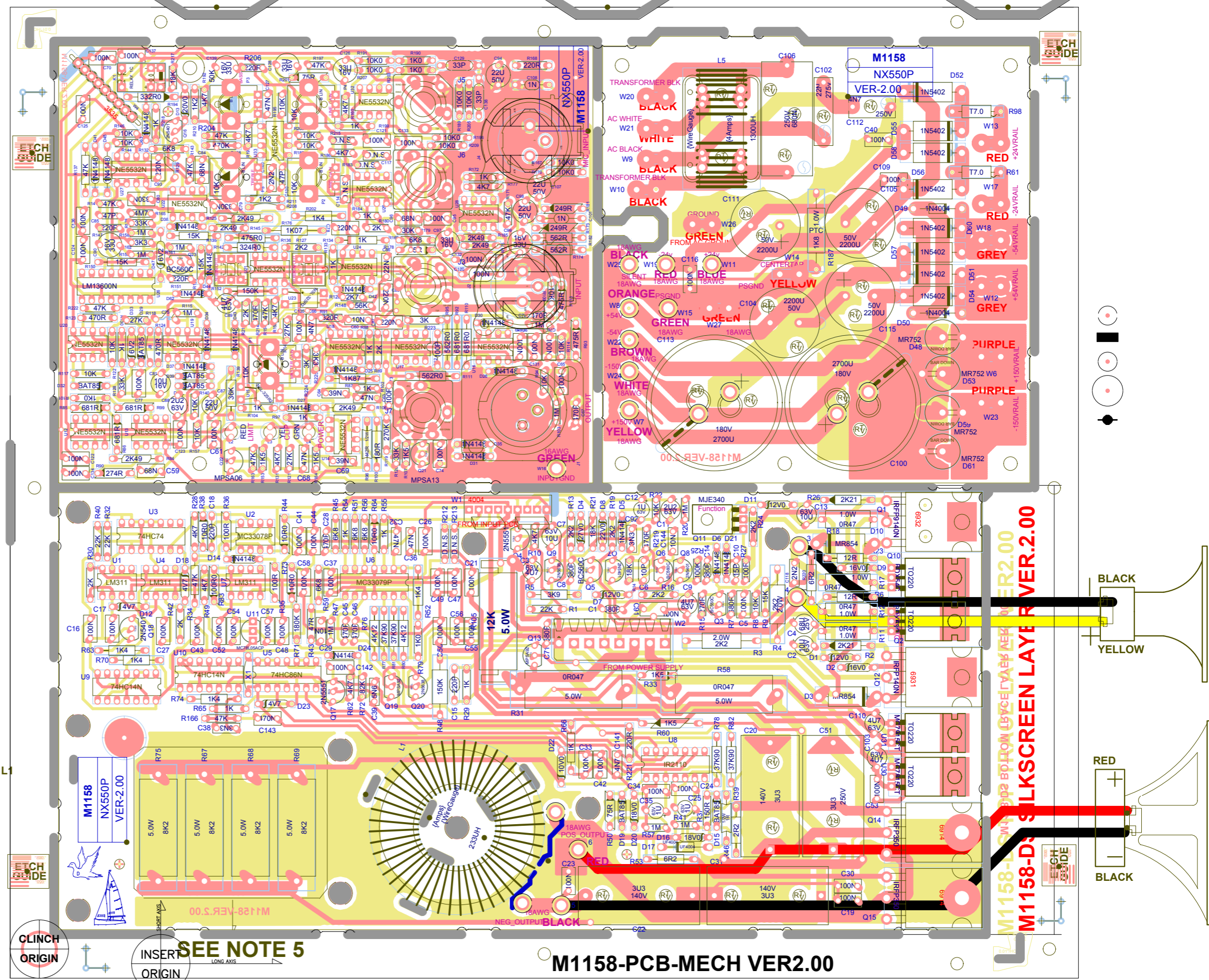
*****IMPORTANT*****

4. ADD AMPLE RTV UNDER ENTIRE BASE OF OUTPUT COIL L1

5. LEADS FOR 5 WATT RESISTORS MUST BE BENT ON THE MACHINE LEAD LOOP MUST NOT BE ABOVE TOP OF RESISTOR



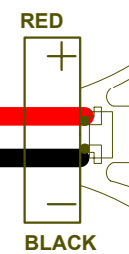
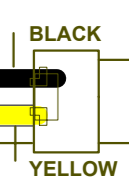
M1158-NX550P



SEE NOTE 5

M1158-PCB-MECH VER2.00

M1158-D3 SILKSCREEN LAYER VER.2.00



ON FRONT PANEL

