



SERVICE MANUAL

TYPE: YS1035

xs800h

WEB ACCESS: <http://www.yorkville.com>

WORLD HEADQUARTERS CANADA

Yorkville Sound
550 Granite Court
Pickering, Ontario
L1W-3Y8 CANADA

Voice: (905) 837-8481
Fax: (905) 837-8746

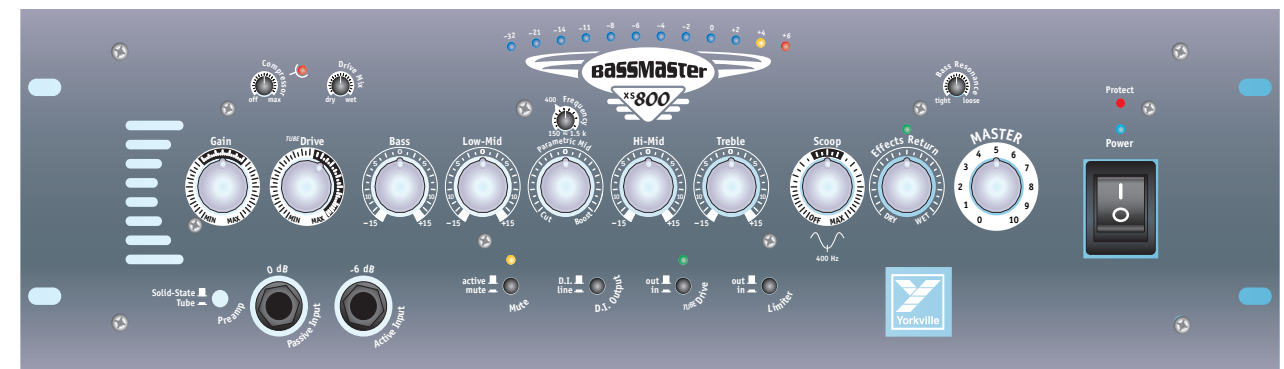
U.S.A.

Yorkville Sound Inc.
4625 Witmer Industrial Estate
Niagara Falls, New York
14305 USA

Voice: (716) 297-2920
Fax: (716) 297-3689



Quality and Innovation Since 1963
Printed in Canada



IMPORTANT SAFETY INSTRUCTIONS



INSTRUCTIONS PERTAINING TO A RISK OF FIRE, ELECTRIC SHOCK, OR INJURY TO PERSONS

INSTRUCTIONS RELATIVES AU RISQUE DE FEU, CHOC ÉLECTRIQUE, OU BLESSURES AUX PERSONNES

CAUTION:

TO REDUCE THE RISK OF ELECTRIC SHOCK, DO NOT REMOVE COVER (OR BACK).

NO USER SERVICEABLE PARTS INSIDE.

REFER SERVICING TO QUALIFIED SERVICE PERSONNEL.

AVIS:

AFIN DE REDUIRE LES RISQUE DE CHOC ELECTRIQUE, N'ENLEVEZ PAS LE COUVERT (OU LE PANNEAU ARRIERE)

NE CONTIENT AUCUNE PIECE REPARABLE PAR L'UTILISATEUR.

CONSULTEZ UN TECHNICIEN QUALIFIE POUR L'ENTRETIEN

Read Instructions

The Owner's Manual should be read and understood before operation of your unit. Please, save these instructions for future reference.

Packaging

Keep the box and packaging materials, in case the unit needs to be returned for service.

Warning

When using electric products, basic precautions should always be followed, including the following:

Power Sources

Your unit should be connected to a power source only of the voltage specified in the owners manual or as marked on the unit. This unit has a polarized plug. Do not use with an extension cord or receptacle unless the plug can be fully inserted. Precautions should be taken so that the grounding scheme on the unit is not defeated.

Hazards

Do not place this product on an unstable cart, stand, tripod, bracket or table. The product may fall, causing serious personal injury and serious damage to the product. Use only with cart, stand, tripod, bracket, or table recommended by the manufacturer or sold with the product. Follow the manufacturer's instructions when installing the product and use mounting accessories recommended by the manufacturer.

The apparatus should not be exposed to dripping or splashing water; no objects filled with liquids should be placed on the apparatus.

Terminals marked with the "lightning bolt" are hazardous live; the external wiring connected to these terminals require installation by an instructed person or the use of ready made leads or cords.

Ensure that proper ventilation is provided around the appliance.

No naked flame sources, such as lighted candles, should be placed on the apparatus.

Power Cord

The AC supply cord should be routed so that it is unlikely that it will be damaged. If the AC supply cord is damaged DO NOT OPERATE THE UNIT.

Service

The unit should be serviced only by qualified service personnel.

Veillez Lire le Manuel

Il contient des informations qui devraient être comprises avant l'opération de votre appareil. Conservez S.V.P. ces instructions pour consultations ultérieures.

Emballage

Conservez la boîte au cas où l'appareil devait être retourner pour réparation.

Attention:

Lors de l'utilisation de produits électrique, assurez-vous d'adhérer à des précautions de bases incluant celle qui suivent:

Alimentation

L'appareil ne doit être branché qu'à une source d'alimentation correspondant au voltage spécifié dans le manuel ou tel qu'indiqué sur l'appareil. Cet appareil est équipé d'une prise d'alimentation polarisée. Ne pas utiliser cet appareil avec un cordon de raccordement à moins qu'il soit possible d'insérer complètement les trois lames. Des précautions doivent être prises afin d'éviter que le système de mise à la terre de l'appareil ne soit désengagé.

Risque

Ne pas placer cet appareil sur un chariot, un support, un trépied ou une table instables. L'appareil pourrait tomber et blesser quelqu'un ou subir des dommages importants. Utiliser seulement un chariot, un support, un trépied ou une table recommandés par le fabricant ou vendus avec le produit. Suivre les instructions du fabricant pour installer l'appareil et utiliser les accessoires recommandés par le fabricant.

Il convient de ne pas placer sur l'appareil de sources de flammes nues, telles que des bougies allumées.

L'appareil ne doit pas être exposé à des égouttements d'eau ou des éclaboussures et qu'aucun objet rempli de liquide tel que des vases ne doit être placé sur l'appareil.

Assurez que l'appareil est fourni de la propre ventilation.

Les dispositifs marqués d'un symbole "d'éclair" sont des parties dangereuses au toucher et que les câblages extérieurs connectés à ces dispositifs de connection extérieure doivent être effectués par un opérateur formé ou en utilisant des cordons déjà préparés.

Cordon d'Alimentation

Évitez d'endommager le cordon d'alimentation. N'UTILISEZ PAS L'APPAREIL si le cordon d'alimentation est endommagé.

Service

Consultez un technicien qualifié pour l'entretien de votre appareil.

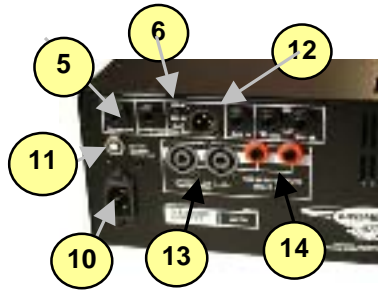
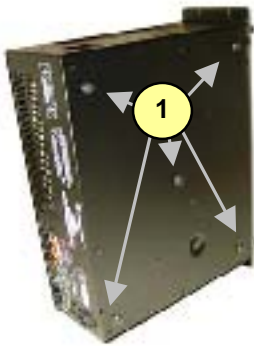
XS800H Parts List 5/9/2005

YS #	Description	Qty.	YS #	Description	Qty.	YS #	Description	Qty.	YS #	Description	Qty.
3747	CUSTOM .5 LED SPACER BLACK	18	5322	470N 50V 10%CAP T&R BEAD .25U	1	2023	1/8W 220R0 1%FLAME PROOF T&R RES	4	4011	03" 10C-26AWG RIBBON S&R1/4" .098"	2
6554	BLUE 3MM LED 3V9 20MA TLHB440VISHAY	11	5240	680N 63V 10%CAP T&R RAD .2"FLM	1	4857	1/4W 220R 5% T&R RES	2	4012	08" 12C-26AWG RIB 1 W/LCK HDR 0.1	1
6405	RED 3MM LED 1V7 5MA BRT	3	5254	1U 63V 20%CAP T&R 4X7MM .2"EL	1	4977	1/4W 220R 5%MINI T&R RES	6	4009	15" 14C-26AWG RIBBON S&R1/4" .098"	1
6400	YEL 3MM LED 1V9 6MA HIGHJEFF	2	5256	1U 63V 5%CAP T&R RAD .2"FLM	5	4770	1/4W 249R 1% T&R RES	2	3722	RELAY 1A 30AMP DC24 036MA PC-C	1
6408	GRN 3MM LED 1V9 5MA FROSTED	2	5257	2U2 63V 20%CAP T&R RAD .2"EL	10	4821	1/4W 470R 5% T&R RES	1	8729	#4 X 3/8 FLAT QUAD TYPE A JS500 BLK	4
6419	BRIDGE 35A 400V WIRE LEAD G13504	3	5258	4U7 63V 20%CAP T&R 8X7MM .2"EL	5	4980	1/4W 470R 5%MINI T&R RES	2	8861	4-40 X 3/8 PAN PH MS JS500	2
6425	BAV21 200V 0A25 DIODE T&R	10	5259	4U7 63V 20%CAP T&R RAD .2"EL	1	2030	1/8W 681R 1%FLAME PROOF T&R RES	2	8842	#4 X 5/16 PAN QUAD TYPE A JS500 BLK	2
6825	1N4148 75V 0A45 DIODE T&R	35	5282	10U 16V 20%CAP T&R 5X7MM .2"NP	4	4743	1/4W 681R0 0.1% *** T&R RES	3	8832	6-32 X 1/4 PAN PH TAPTITE JS500	6
6438	1N4007 400V 1A0 DIODE T&R	2	5629	10U 160V 20%CAP BLK 10X13MM EL	4	4873	1/4W 680R 5% T&R RES	2	8807	6-32 X 5/16 PAN PH MS JS500	14
6934	MR854 400V 3A0 DIODE FASREC	10	5945	10U 63V 20%CAP T&R RAD .2"EL	1	2033	1/8W 1K 2%FLAME PROOF T&R RES	2	8801	6-32 X 3/8 PAN PH TAPTITE JS500	10
6733	BAT85 30V 0A2 DIODE SCHTKYT&R	2	5631	22U 50V 20%CAP T&R 6X7MM .2"EL	6	4823	1/4W 1K 5% T&R RES	9	8829	6-32 X 3/8 FLAT PH TAPTITE BO#4 HEA	16
6439	1N5225B 3V0 0W5 ZENER 5% T&R	3	5961	33U 16V 20%CAP T&R RAD .2"NP	3	4981	1/4W 1K 5%MINI T&R RES	2	8761	6-32 X 1/2 PAN PHIL MS ZINC CLEAR	10
6440	1N750ARL 4V7 0W5 ZENER 5% T&R	1	5879	100U 16V 20%CAP T&R 8X7MM .2"EL	9	6110	1/4W 1K0 1%MINI MF T&R RES	1	8828	6-32 X 3/4 PAN PH TAPTITE JS500	7
6459	1N4732A 4V7 1W0 ZENER 5% T&R	1	5618	470U 25V 20%CAP BLK 10X15MM EL	1	4802	1/4W 1K21 1% T&R RES	1	8825	6-32 X 1/2 FLAT PHIL TRILOB NICKEL	8
6436	1N753ARL 6V2 0W5 ZENER 5% T&R	1	5896	4700U 80V 20%CAP BLK 25X50MM ELS	4	4824	1/4W 1K5 5% T&R RES	3	8809	10-32 X 1/4 PAN PH TAPTITE JS500	8
6437	1N5237B 8V2 0W5 ZENER 5% T&R	1	5898	8200U 50V 20% CAPACITOR 25X50MM ELS	2	4988	1/4W 1K5 5%MINI T&R RES	1	8624	10-32 X 1/2 HEX HD MS JS500 BLK	4
6450	1N5242B 12V0 0W5 ZENER 5% T&R	2	5903	12000U 35V 20%CAP RAD 25X45MM ELS	2	4825	1/4W 1K8 5% T&R RES	1	8833	10-32 X 7/8 HEX CAP GRD 5 JS500	4
6486	1N5244B 14V0 0W5 ZENER 5% T&R	2	4467	10K B LIN 12MM HOR KNRLSHFT P36	2	6105	1/4W 1K8 5%MINI T&R RES	2	8736	5/16-18X2-3/4 GRD 5 HEX BOLT JS500	1
6824	1N5246B 16V0 0W5 ZENER 5% T&R	10	4472	10K B LIN 9MM HOR P35	3	4808	1/4W 2K 5% T&R RES	7	8608	NYLON SPACER .200 OD .145 ID .110 L	8
6465	1N5250B 20V0 0W5 ZENER 5% T&R	1	4470	20K 5C R/A 9MM HOR P35	1	6113	1/4W 2K 5%MINI T&R RES	3	3749	.375 SPACER ID.170 OD.31 NYLON	7
6871	MC7915CT TO220 N 15V0 REG V2	2	4471	50K B LIN 9MM HOR P35	4	4847	1/4W 2K2 5% T&R RES	7	3865	1/2 PLASTIC HEX SPACER #6	10
6872	MC7815CT TO220 P 15V0 REG V1	2	4469	100K B LIN 9MM HOR P35	2	6104	1/4W 2K2 5%MINI T&R RES	5	8651	SHOULDER WASHER .483" X .4" BLACK	4
5101	BC550C TO92 NPN TRAN T&R TB	6	4474	100K B LIN 12MM HOR KNRLSHFT P36	1	4714	1/4W 2K21 1% T&R RES	2	8652	SHOULDER WASHER .483" X .125" BLACK	10
5102	BC560C TO92 PNP TRANSISTOR T&R TB	5	4475	100K 5C R/A 12MM HOR KNRL ST P37	1	4804	1/4W 3K 5% T&R RES	2	8818	3/4 OD X 3/8 ID X .080 THICK WASHER	2
5103	MPSA06 TO92 NPN TRANSISTOR T&R TA	4	4520	10K TRIM POT	1	6124	1/4W 3K 5%MINI T&R RES	2	8850	#10 INT TOOTH LOCKWASHER BO	4
5104	MPSA56 TO92 PNP TRAN T&R TA	3	2408	8.0 AMP CIRCUIT BREAKER	1	4992	1/4W 3K16 1% T&R RES	1	3425	DPDT PUSH SW PCMT BREAK B4 MAKE	2
5107	2N5551 TO92 NPN TRNSISTR DARL T&RTA	7	714	1.5 MIL X 36" CLEAR POLY SHEETING	4	4826	1/4W 3K3 5% T&R RES	8	3522	DPDT MINI PC VERT SNP ALT	4
5108	2N5401 TO92 PNP TRNSISTR DARL T&RTA	3	3820	4UH COIL 14AWG ZOBEL HORIZONTAL	1	6136	1/4W 3K3 5%MINI T&R RES	1	3587	DPDT ROKR SW QUIK 250"AC/PWR ON-OFF	1
5109	MPSA43 TO92 NPN TRAN TA	1	3489	CLIP 250X032 18-22AWG DISCO/INSL	6	4850	1/4W 3K9 5% T&R RES	1	3732	9 PIN PC MOUNT TUBE SOCKET BE	1
5105	MPSA13 TO92 NPN TRNSISTR DARL T&RTA	1	3490	CLIP 250X032 14-16AWG DISCO/INSL	6	4827	1/4W 4K7 5% T&R RES	8	12AX7BLK	12AX7 DUAL TRIODE PREAMP TUBE	1
5106	MPSA63 TO92 PNP TRNSISTR DARL T&RTA	1	3601	RING TERMINAL 16AWG WIRE & #8 SCREW	3	4943	1/4W 4K7 5% .2"U T&R RES	3	CH1189	XS800H 120V 60HZ TRD	1
6808	MJE15032 TO220 NPN TRAN TE	1	3682	250 MALE PCB TAB REEL	18	4982	1/4W 4K7 5%MINI T&R RES	7			
6809	MJE15033 TO220 PNP TRAN TE	1	3498	1/4" JCK PCB MT HORZ	3	4639	1/4W 4K99 1% T&R RES	9			
6873	MJE340 TO126 NPN TRANSISTOR TG	1	3523	1/4" JCK PCB MT HORZ GOLD T	4	6128	1/4W 4K99 1%MINI MF T&R RES	3			
6874	MJE350 TO126 PNP TRANSISTOR TG	1	3528	1/4" JCK PCB MT HORZ GOLD TR	2	4862	1/4W 5K6 5% T&R RES	1			
6916	TIP107 TO220 PNP TRAN DARL TE	1	6956	SPKON 4C PCB MT HORZ GRY #4	2	4717	1/4W 6K19 1%MINI T&R RES	2			
6953	IRF4905 TO220 PCH MFET	4	3417	6-32 SCREW TERMINAL PC MNT STRAIGHT	3	4828	1/4W 6K8 5% T&R RES	1			
6966	IRL2910 NCH MFET 100V TN	4	3923	XLR MALE PCB MT HORZ MTHOLE-V SNAP	1	4887	1/4W 7K5 5% T&R RES	1			
6909	MJ21196 TO3 NPN TRANSISTOR TH	2	3856	FAN 80MM X 80MM 39CFM 12VDC 200MA	2	4800	1/4W 10K0 1% T&R RES	12			
6910	MJ21195 TO3 PNP TRANSISTOR TH	2	8675	XS800H HANDLE - BARE 6061-T6 ALUMIN	2	4829	1/4W 10K 5% T&R RES	22			
6804	MC33079P IC QUAD OP AMP	6	3894	AAVID 5972-B H/S W/TAB B.O.	2	4940	1/4W 10K 5% .2"U T&R RES	1			
6882	TL072CP IC FET DUAL OP AMP	4	3501	B52200F006 COMP WASH #4 SMALL	2	4983	1/4W 10K 5%MINI T&R RES	12			
6884	NE5532N IC DUAL OP AMP	3	3977	QUAD XSISTOR TO220SPRING YELLOWZINC	4	5031	1.0W 10K0 5% T&R	8			
6889	TL074CN IC QUAD O/A T.I ONLY	1	8889	RUBBER GROMMET #2183-034-BLK	2	6116	1/4W 10K0 1%MINI MF T&R RES	8			
6895	BA6822S IC LED VU METER C	1	3449	REAN JACK NUT RED	2	4775	1/4W 14K0 1% T&R RES	1			
6745	LM13600N IC XCONDUCTANCE AMP	1	3645	AC SOCKET RECEPTACLE WITH 0.250 TAB	1	4630	1/2W 15K 5% T&R RES	6			
6936	4007 IC COMPLIMENTARY PAIRS	1	3801	5/8" BUMPER BUTTON BLACK	5	4830	1/4W 15K 5% T&R RES	2			
6858	NSL-32SR2 OPTO-COUPLER LDR	1	3803	NYLON SECUR-A-TACH MINI PLASTIC TIE	1	4979	1/4W 15K 5%MINI T&R RES	5			
6467	10K 10% THERMISTOR NTC TO-92	1	3810	4" NYLON CABLE TIE	12	4771	1/4W 17K8 1% T&R RES	1			
5199	100P 100V 2%CAP T&R RAD CER.2"NPO	4	8636	BUTTON KNOB FLAT BLACK	6	6125	1/4W 18K 5%MINI T&R RES	1			
5410	100P 100V 10%CAP T&R BEAD NPO	4	8400	BASSMASTER KNOB, NICKEL W/STOPPER	10	6123	1/4W 20K0 1%MINI MF T&R RES	13			
5412	220P 100V 10%CAP T&R BEAD NPO	1	3426	8' 3/16 SJT AC LINE CORD REMOV-B-CSA	1	4777	1/4W 21K5 1% T&R RES	1			
5201	470P 100V 5%CAP T&R RAD CER.2"NPO	1	3638	12 CIR CABLE HOLDER .098	1	4832	1/4W 22K 5% T&R RES	2			
5416	470P 50V 10%CAP T&R BEAD NPO	3	3676	8 CIR CABLE HOLDER .098	4	6118	1/4W 22K 5%MINI T&R RES	4			
5420	680P 50V 10%CAP T&R BEAD NPO	4	3707	14 CIR CABLE HOLDER .098	2	4902	1/4W 24K 5% T&R RES	2			
5816	680P 100V 5%CAP T&R RAD CER.2"NPO	1	4000	10 CIR CABLE HOLDER .098 PRLX	4	6129	1/4W 27K 5%MINI T&R RES	1			
5273	1N5 200V 5%CAP T&R RAD CER.2"NPO	1	8701	4-40 KEPS NUT ZINC	2	4890	1/4W 30K 5% T&R RES	1			
5275	3N3 100V 5%CAP T&R RAD .2"FLM	1	8760	6-32 KEPS NUT TIN PLATED	10	4917	1/4W 31K6 1% T&R RES	1			
5209	4N7 250V 5%CAP T&R RAD .2"FLM	1	8800	6-32 KEPS NUT ZINC	20	4840	1/4W 33K 5% T&R RES	1			
5432	4N7 50V 10%CAP T&R BEAD Y5R	2	8841	10-32 KEPS NUT ZINC	4	6122	1/4W 33K 5%MINI T&R RES	2			
6451	4N7 250V 20%CAP BLK Y 10MM AC	1	8797	5/16-18 KEPS NUT JS500	1	4868	1/4W 36K 5% T&R RES	2			
5272	6N8 100V 5%CAP T&R RAD .2"FLM	3	3916	TO3 SIL-PAD REPLACES MICA	4	4853	1/4W 39K 5% T&R RES	1			
5204	10N 100V 10%CAP T&R RAD .2"FLM	2	4022	ELASTOMER PAD - 2-TO218 / 4-TO220	4	6119	1/4W 47K 5%MINI T&R RES	7			
5301	12N 50V 10%CAP T&R BEAD X7R	1	8581	CUSTOM PBL TRANSISTOR SPACER	4	4803	1/4W 49K9 1% T&R RES	2			
5303	18N 50V 10%CAP T&R BEAD X7R	1	3580	12 CIR WAFER W/LCK VT 0.1"	1	4895	1/4W 51K 5% T&R RES	4			
5210	22N 100V 10%CAP T&R RAD .2"FLM	6	4597	22AWG STRAN TC WIR JMP	19	4848	1/4W 62K 5% T&R RES	2			
5304	22N 50V 10%CAP T&R BEAD X7R	2	4599	22AWG SOLID SC WIR T&R JMP	208	4763	1/4W 82K50 0.1% *** T&R RES	1			
5840	22N 400V 10%CAP BLK RAD POLY FLM	1	4745	5.0W 0R1 5% BLK RES	4	4838	1/4W 100K 5% T&R RES	8			
6435	22N 275V 20%CAP BLK 'X2' 15MM AC	2	5040	20W 0R2 5% BLK RES	1	4942	1/4W 100K 5% .2"U T&R RES	1			
5222	33N 100V 10%CAP T&R RAD .2"FLM	1	2006	1.0W 1R 5%FLAME PROOF T&R RES	6	6120	1/4W 100K 5%MINI T&R RES	2			
5306	33N 50V 10%CAP T&R BEAD X7R	3	4911	1/4W 2R2 5% T&R RES	2	4776	1/4W 113K 1% T&R RES	2			
5224	47N 100V 10%CAP T&R RAD .2"FLM	2	4748	2.0W 3R9 5% T&R	1	4991	1/4W 133K 1%MINI T&R RES	2			
5308	47N 50V 10%CAP T&R BEAD X7R	1	2008	1.0W 10R 5%FLAME PROOF T&R RES	2	6126	1/4W 220K 5%MINI T&R RES	3			
5312	82N 50V 10%CAP T&R BEAD X7R	1	2009	1/4W 10R 2%FLAME PROOF T&R RES	1	6127	1/4W 470K 5%MINI T&R RES	2			
5212	100N 63V 5%CAP T&R RAD .2"FLM	25	4612	1/2W 18R 5% T&R RES	1	6106	1/4W 620K 5%MINI T&R RES	1			
5228	100N 100V 5%CAP T&R RAD .2"FLM	1	2013	1/8W 22R1 1%FLAME PROOF T&R RES	1	4844	1/4W 1M 5% T&R RES	4			
5314	100N 50V 10%CAP T&R BEAD X7R	5	2016	1/8W 39R 2%FLAME PROOF T&R RES	2	4888	1/4W 4M7 5% T&R RES	1			
5231	220N 63V 10%CAP T&R RAD .2"FLM	3	4613	1.0W 47R 5% T&R RES	2	4809	1/4W 10M 5% T&R RES	1			
5233	330N 63V 5%CAP T&R RAD .2"FLM	2	2019	1/8W 100R0 1%FLAME PROOF T&R RES	12	4751	1/4W 22M 5% T&R RES	2			
5234	4										

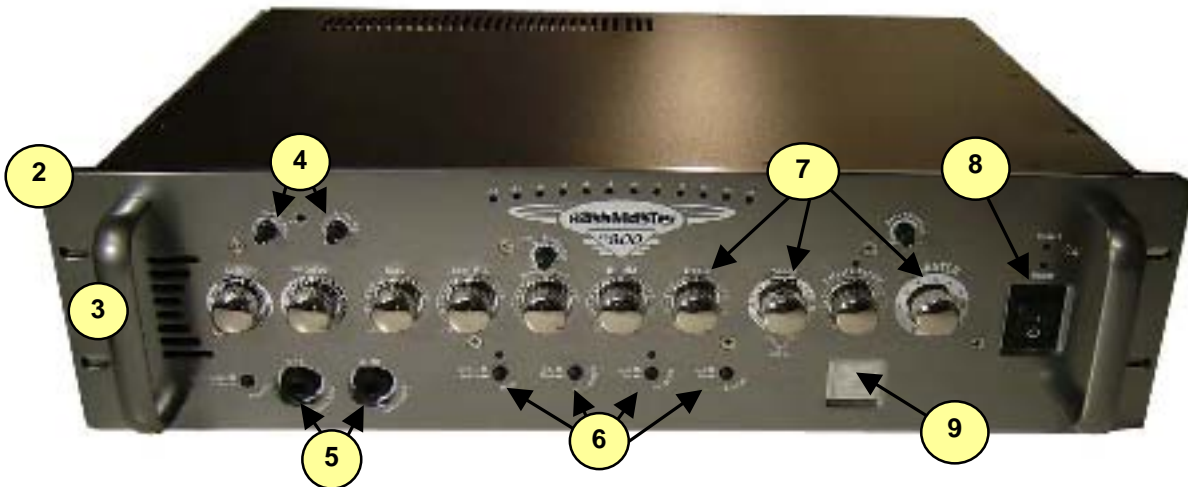


XS800H

Bassmaster Series



16 not shown



#	Part#	Description
Labeled Components		
1	3801	5/8" BUMPER BUTTON BLACK
2	Z667	XS800H FRONT
3	Z695	XS800H HANDLE
4	4467/4474/4475	10K/100K/100K 12MM HOR KNRLSHFT P36
5	3450	1/4 ALL GOLD PC MNT JK SKT
6	8636	BUTTON KNOB FLAT BLACK
7	8400	BASSMASTER KNOB, NICKEL W/STOPP
8	3587	DPDT ROKR SW QUIK 250*AC/PWR ON
9	Z668	XS800H LEXAN
10	3645	AC SOCKET RECEPTACLE WITH 0.250
11	2408	8.0 AMP CIRCUIT BREAKER
12	3923	XLR MALE PCB MT HORZ MTHOLE-V SNAP
13	6956	SPKON 4C PCB MT HORZ GRY #4
14	3449	REAN JACK NUT RED
15	3426	8' 3/16 SJT AC LINE CORD REMOVE
16	12AX7	12AX7 DUAL TRIODE PREAMP TUBE
17		
18		
19		
20		
21		
22		

*NOTE: Replacement grills & HF Driver supports are 'Special-Order' and are only available while the model is in production.

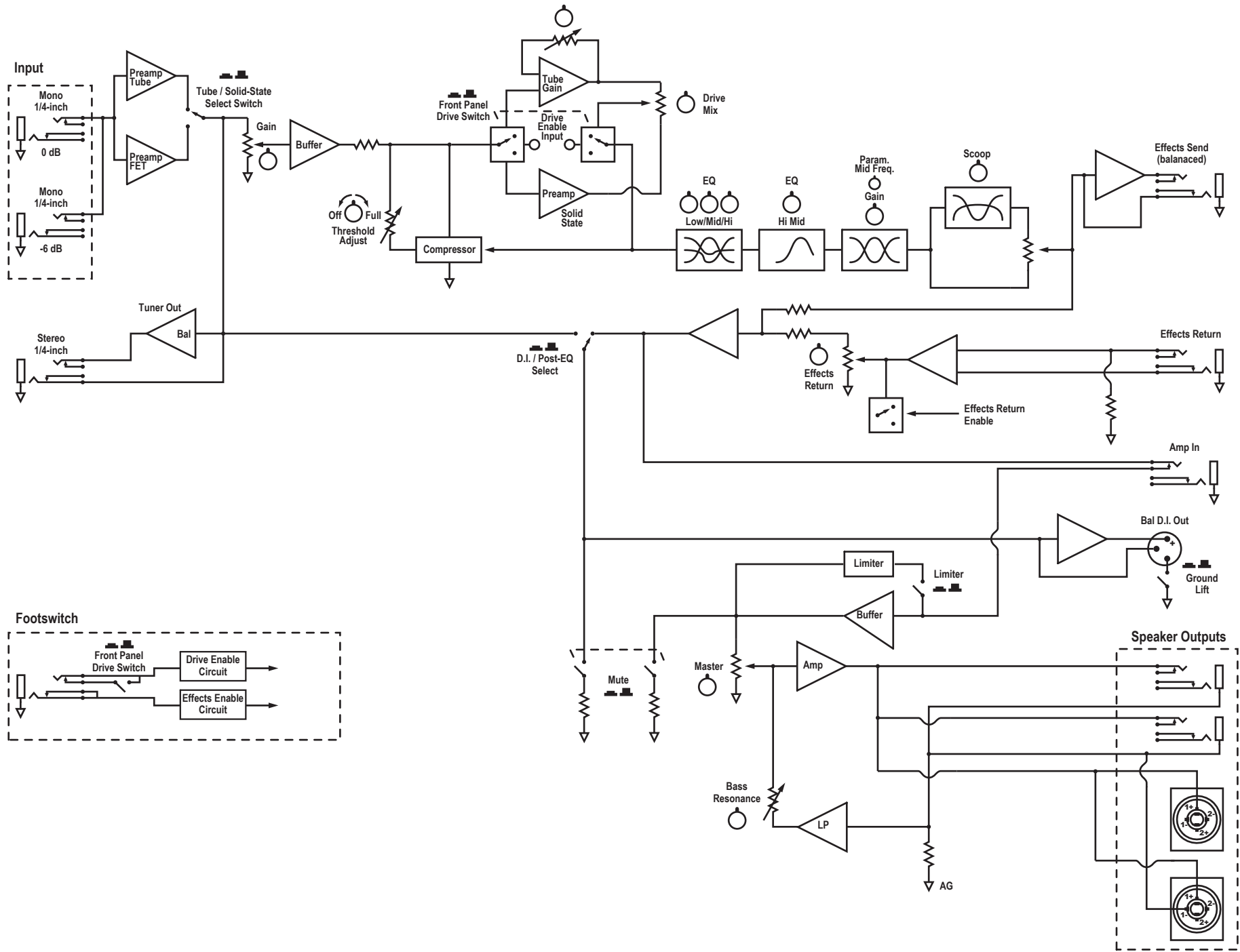
‡ Grilles & Support replacements are for CURRENT models only.

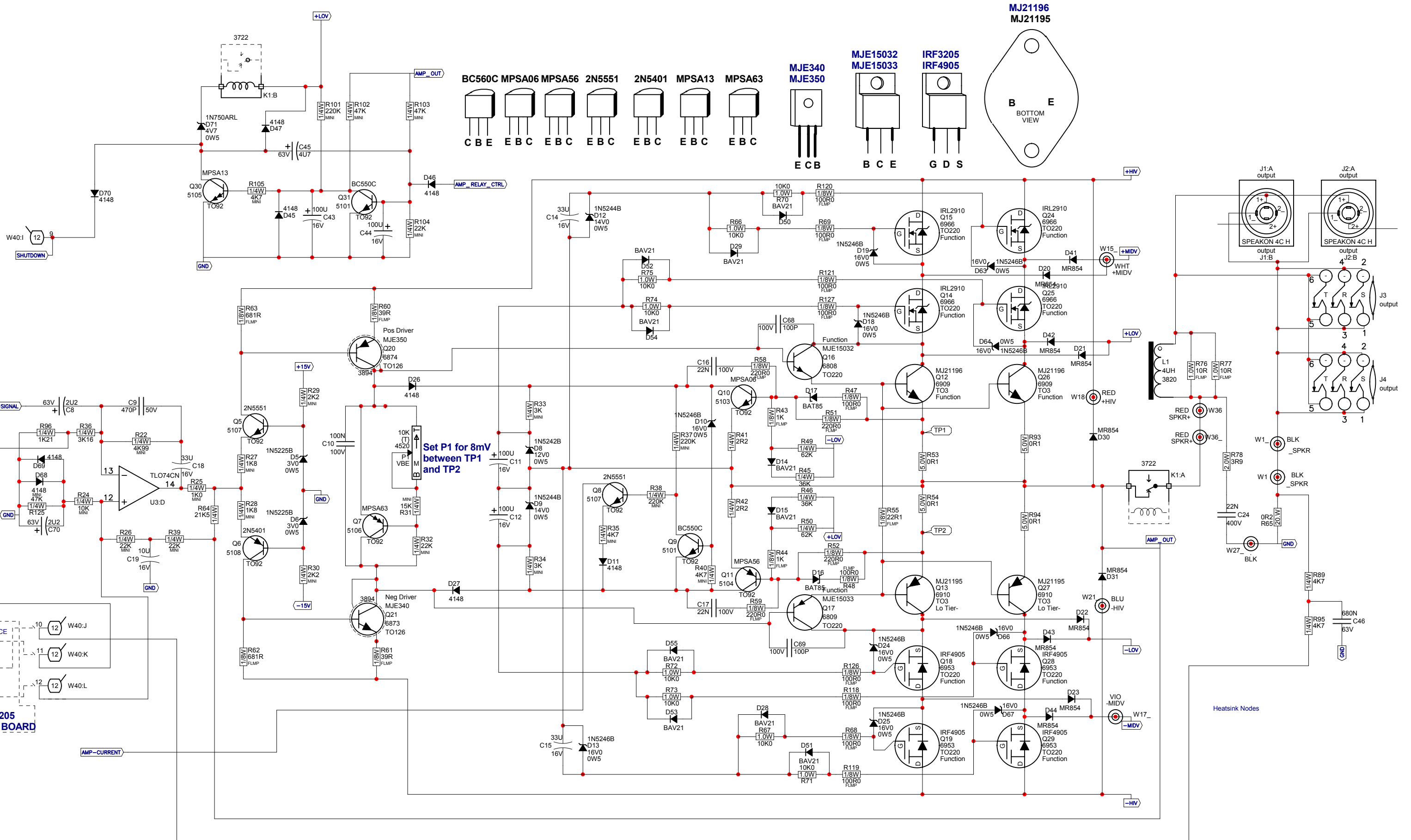
** Internal Lightbulb not shown

**Real Gear.
Real People.**

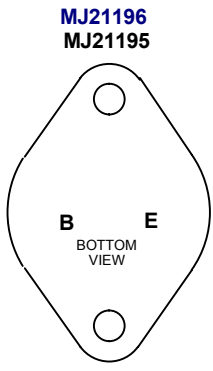
Block Diagram for XS800H

DESIGNED AND MANUFACTURED BY YORKVILLE SOUND





- BC560C
C B E
- MPSA06
E B C
- MPSA56
E B C
- 2N5551
E B C
- 2N5401
E B C
- MPSA13
E B C
- MPSA63
E B C
- MJE350
E C B
- MJE15032
B C E
- MJE15033
B C E
- IRF3205
G D S
- IRF4905
G D S



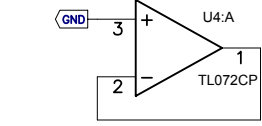
Set P1 for 8mV between TP1 and TP2

FROM M1205 PRE-AMP BOARD

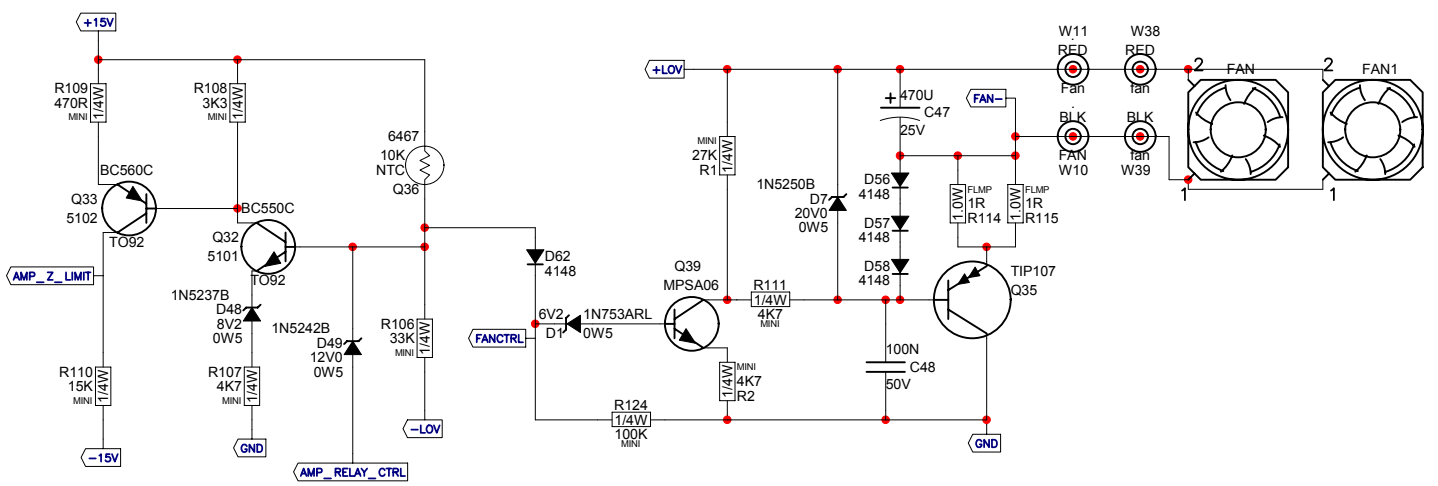
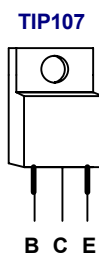
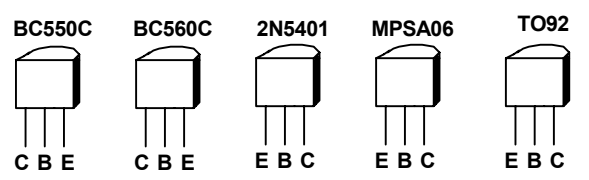
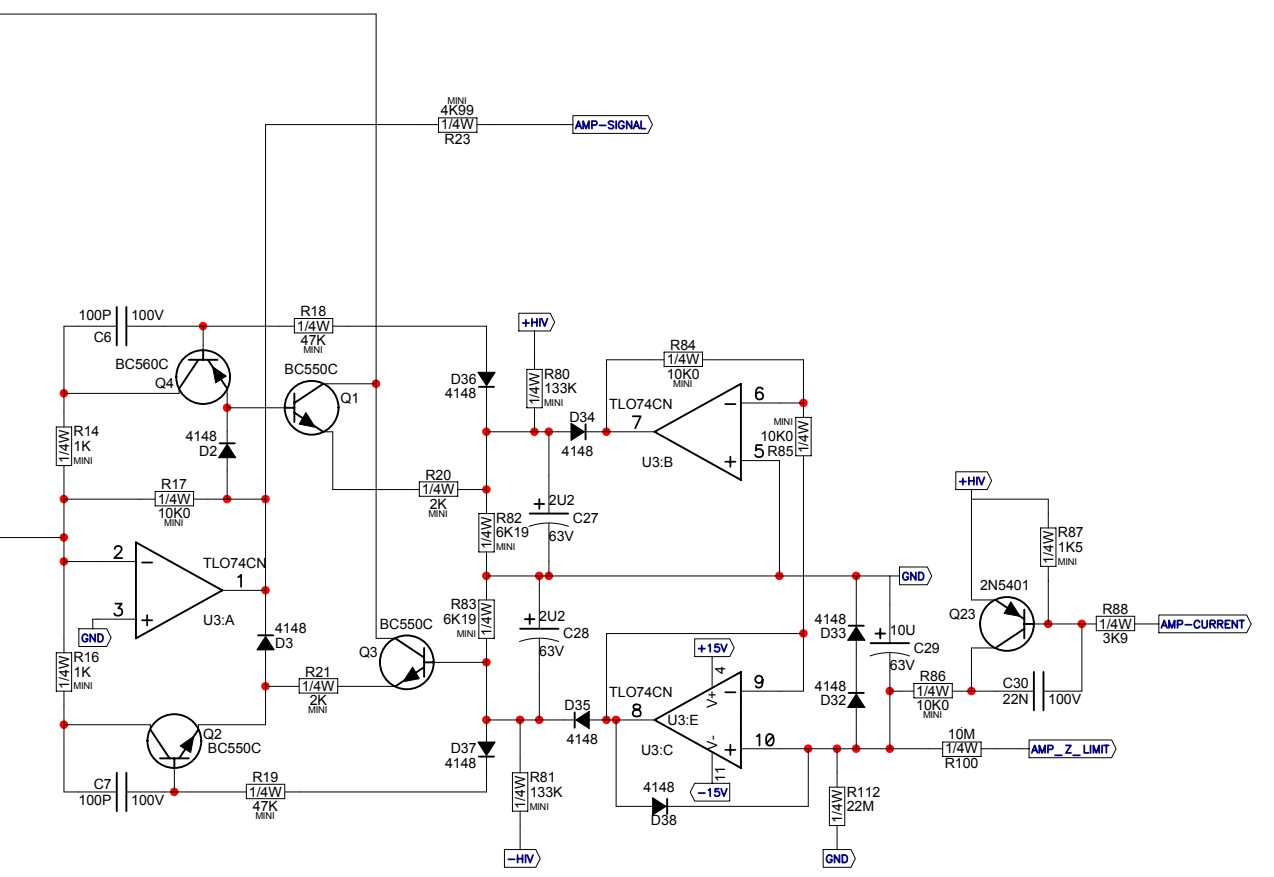
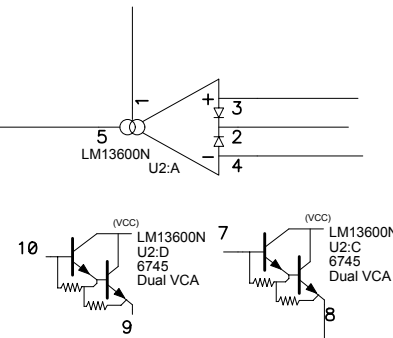
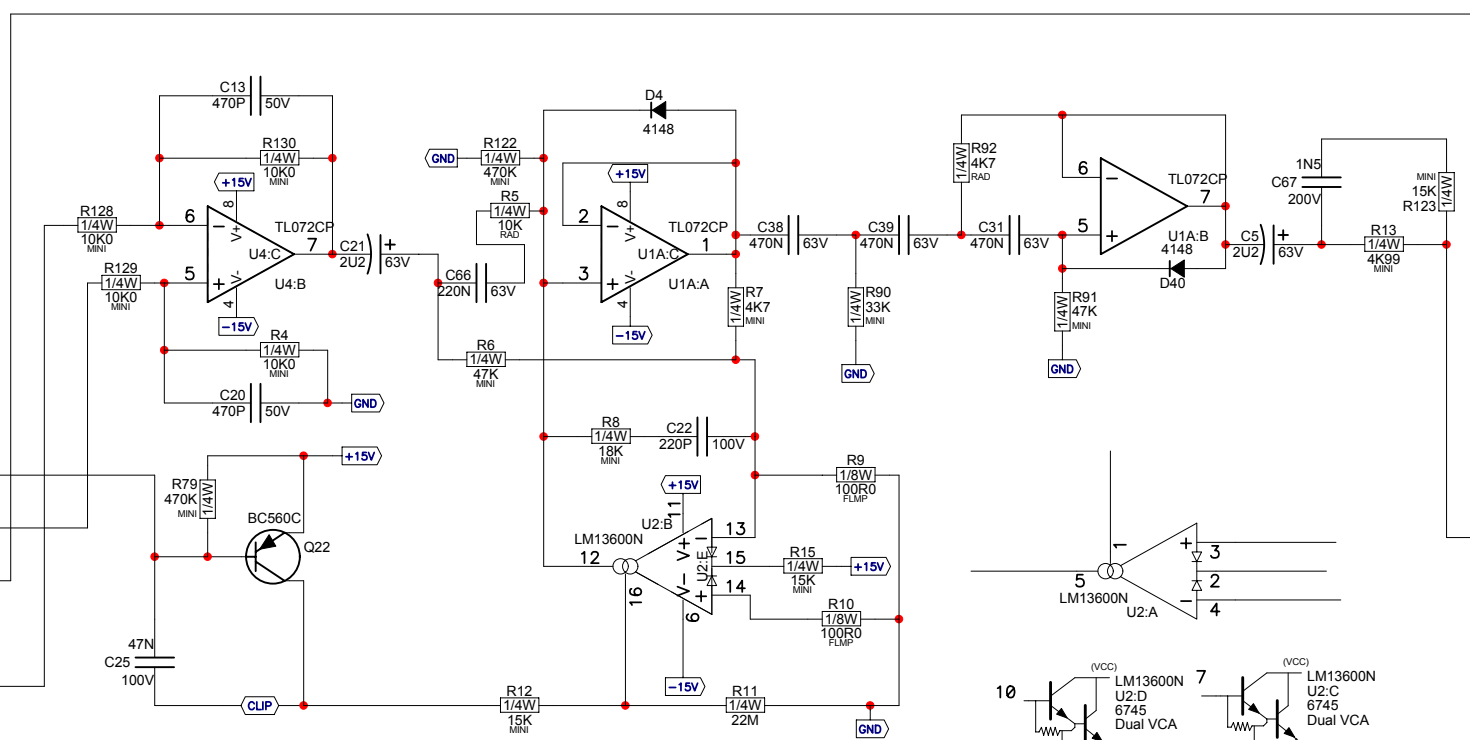
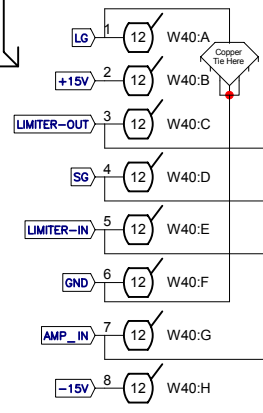
Heatsink Nodes



Product XS 800		
AMP	PCB# M1204	Sheet 1 of 4
Date: Mon May 09, 2005	Rev: V2.10	
Filename: M1204_2V10sch.sch2002		



IN FROM M1205
PRE-AMP BOARD

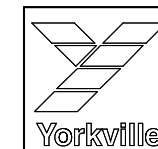
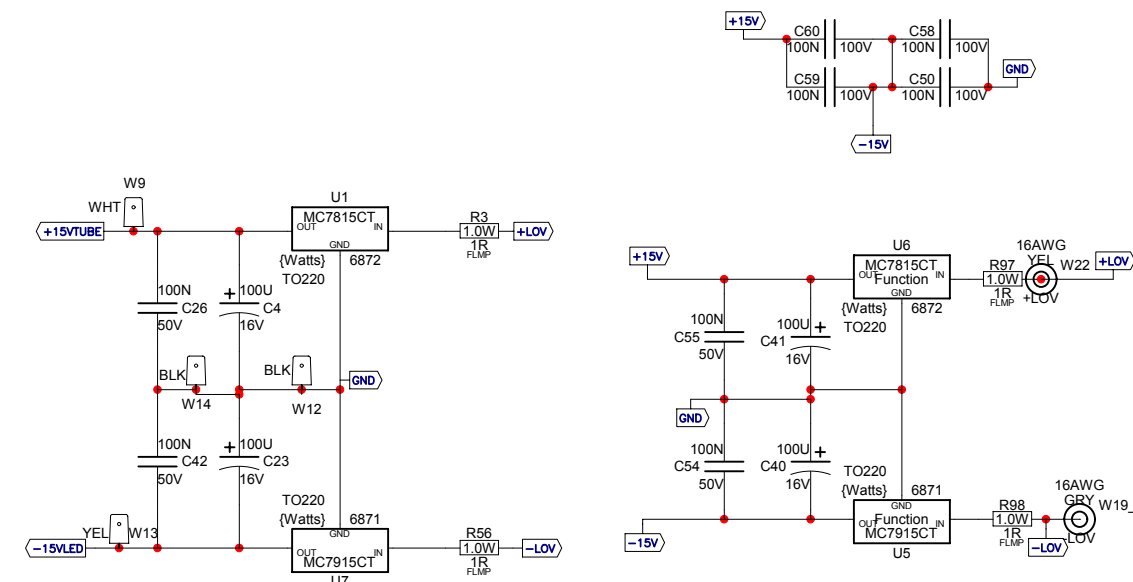
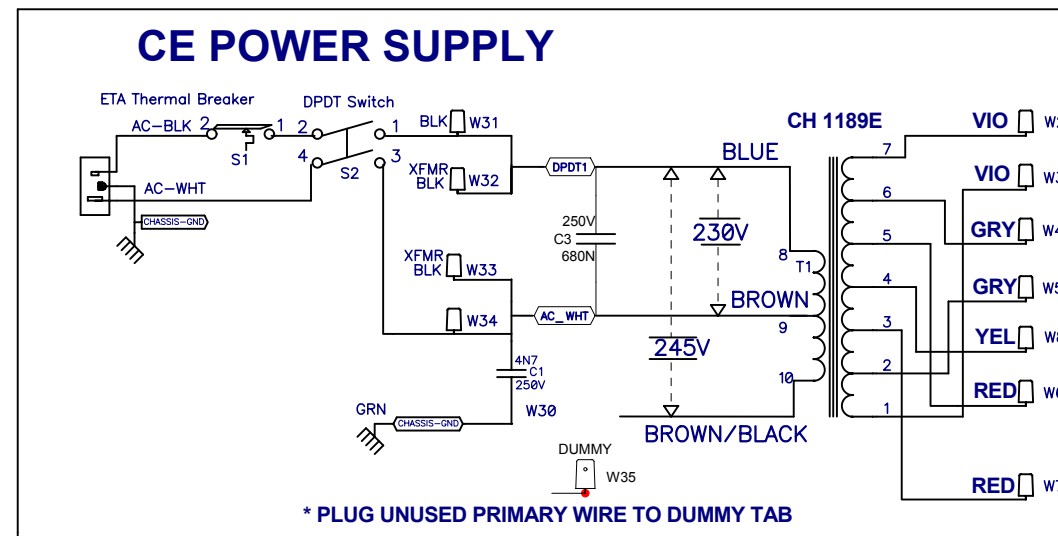
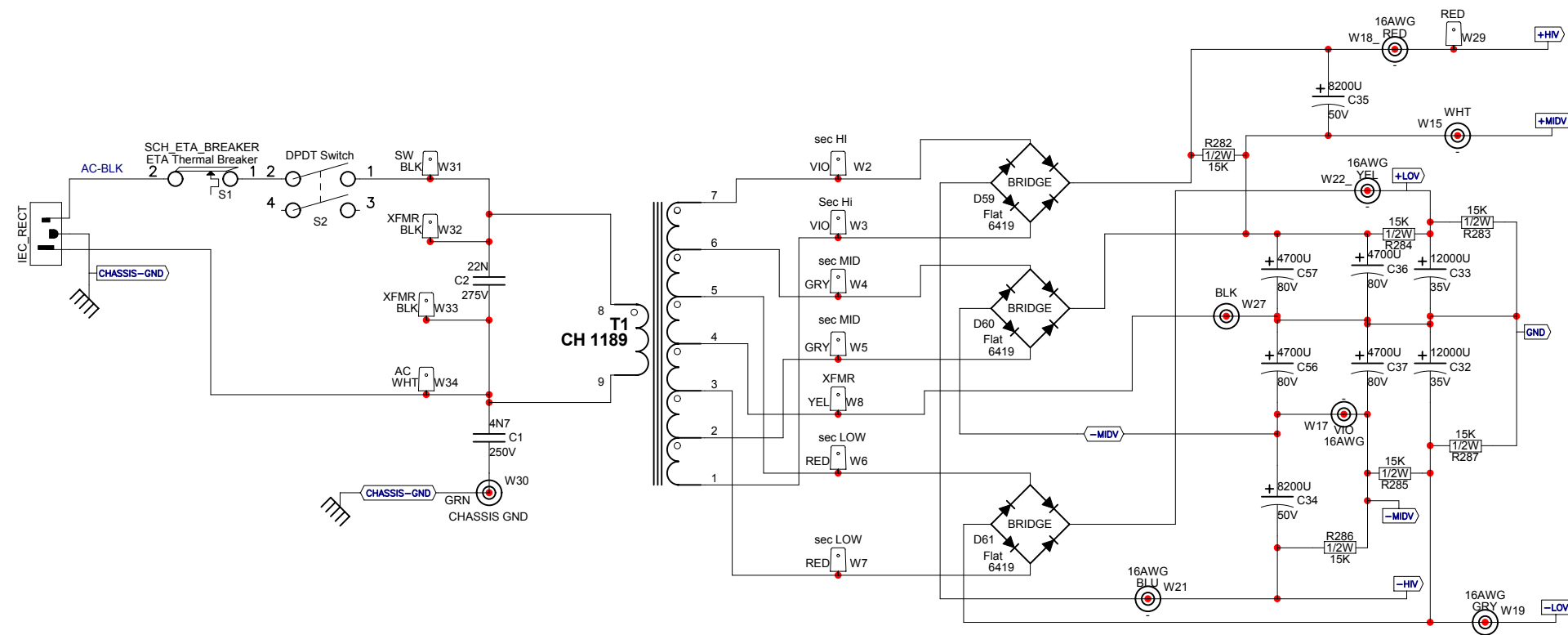


M1204 HISTORY			
MODEL(S):-	XS800H		
#	DATE	VER#	DESCRIPTION OF CHANGE
1	D	V1.00	N
2	NOV-29-2004	V2.00	PC#6774: WIDEN CLEARANCE UNDER C1 AND SOLID COPPER POURS (GT)
3	.	.	PC#6762: Q36 Thermistor changed to hand insert
4	MAY-06-2005	V2.10	PC6895: CHANGE ALL #6954 IRF3205 TO #6966 IRL2910
5	D	V	N
6	D	V	N
7	D	V	N
8	D	V	N
9	D	V	N
10	D	V	N
11	D	V	N
12	D	V	N
13	D	V	N

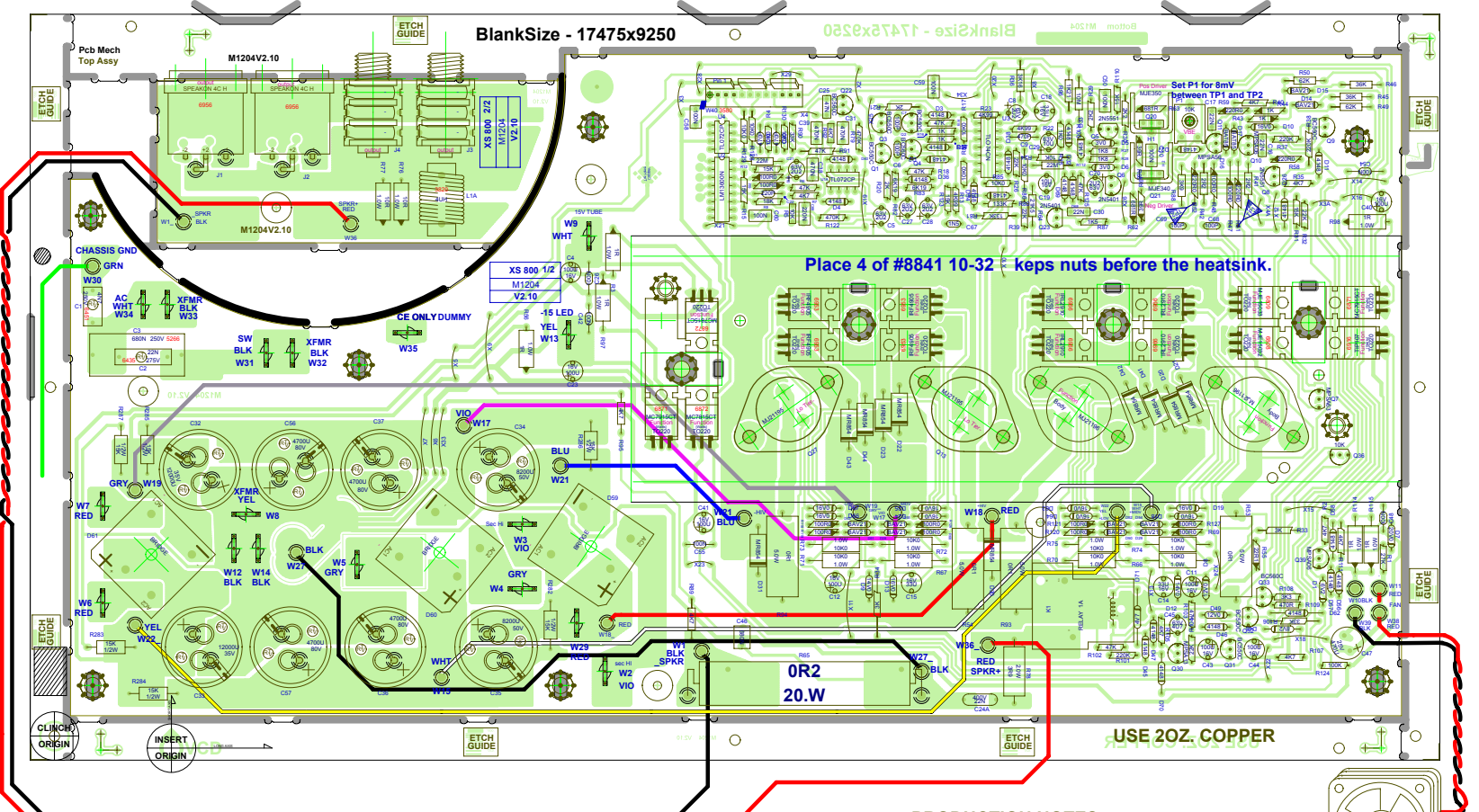
M1204 PENDING CHANGES		
MODEL(S):-	XS800H	
#	PC#	PENDING CHANGE
1	PC	X
2	PC	X
3	PC	X
4	PC	X
5	PC	X
6	PC	X

*PLACE IMPLEMENTED CHANGES INTO BOARD HISTORY





Product XS 800		
POWER SUPPLY	PCB# M1204	Sheet 3 of 4
Date: Mon May 09, 2005	Rev: V2.10	
Filename: M1204_2V10sch.sch2002		



M1204 HISTORY		
#	DATE	VER# / DESCRIPTION OF CHANGE
1	NOV-29-2004	V2.00 N PC#6774-WIDEN CLEARANCE UNDER C1 AND SOLID COPPER POLIRS (C1)
2		V2.10 V PC#6762-Q36 Thermistor changed to hand insert
3	MAY-06-2005	V2.10 V PC#6895- CHANGE ALL #6954 IRF3205 TO #6966 IRL2938
4		V V V
5		V V V
6		V V V
7		V V V
8		V V V
9		V V V
10		V V V
11		V V V
12		V V V
13		V V V

M1204 DRILL HISTORY		
#	DATE	VER# / DESCRIPTION OF CHANGE
1		D D D
2		D D D
3		V V V
4		N N N
5		N N N
6		V V V

M1204 PENDING CHANGES		
MODEL(S):	X5800H	
#	PC#	PENDING CHANGE
1	PC#	X X X X X
2	PC#	X X X X X
3	PC#	X X X X X
4	PC#	X X X X X
5	PC#	X X X X X

*PLACE IMPLEMENTED CHANGES INTO BOARD HISTORY

PRODUCTION NOTES

- MOUNT Q12,Q13,Q26,Q27 SCREWS FROM THE TOP
- BOARD ASSEMBLY: INSERT Q36 #6467 10K THERMISTOR BY HAND
- FILL SPACE BETWEEN HEATSPREADER AND Q7 AND Q36 WITH THERMAL GOOP

HEAT SPREADER: GOOP, Q7, Q36, PCB

SOCKET: SOCKET UPSIDE DOWN, NORMAL, NORMAL LARGE, SOCKET WITH DIRECTION, TAB

IRF3205, IRF4905

MJE1196, MJE1195

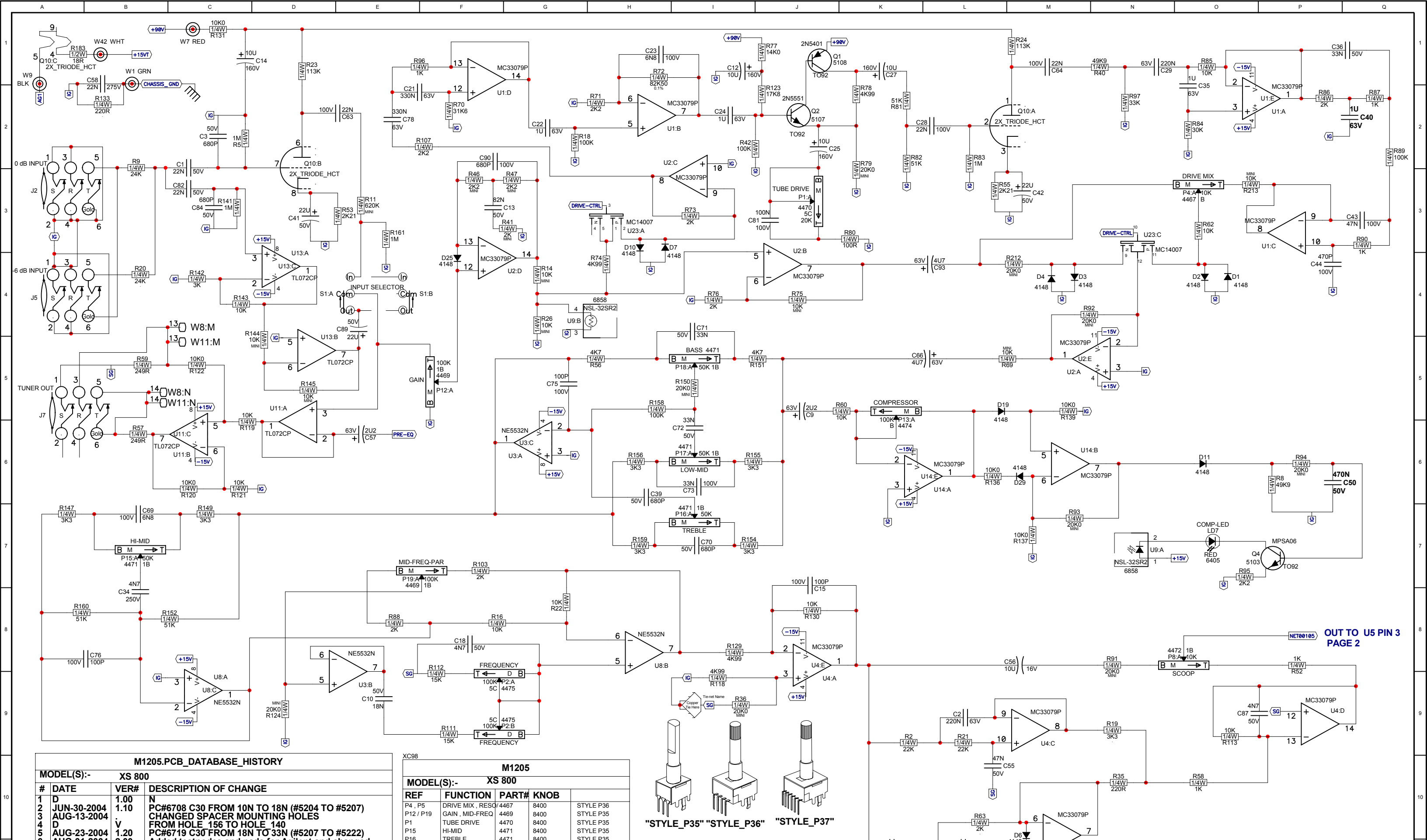
MJE15032, MJE15033, TIP50, MJE5730, MJE19031, BD139, BD237, BD238, MJE340, MJE350, MJE271, MJE270, BD140

MJE15032, MJE15033, TIP50, MJE5730, MJE19031, BD141C, BD142C, BD143C, BD144C, BD145C, BD146C, BD147C, BD148C, BD149C, BD150C, BD151C, BD152C, BD153C, BD154C, BD155C, BD156C, BD157C, BD158C, BD159C, BD160C, BD161C, BD162C, BD163C, BD164C, BD165C, BD166C, BD167C, BD168C, BD169C, BD170C, BD171C, BD172C, BD173C, BD174C, BD175C, BD176C, BD177C, BD178C, BD179C, BD180C, BD181C, BD182C, BD183C, BD184C, BD185C, BD186C, BD187C, BD188C, BD189C, BD190C, BD191C, BD192C, BD193C, BD194C, BD195C, BD196C, BD197C, BD198C, BD199C, BD200C

2N5401, MPSA06, TO92, MPSA56, 2N5551, 2N5401, MPSA13, MPSA63, BC550C, BC560C

E B C, E B C, E B C, E B C, E B C, E B C, E B C, E B C, E B C, C B E, E B C, G D S, B E, E C B, B C E, B C E

BOTTOM VIEW

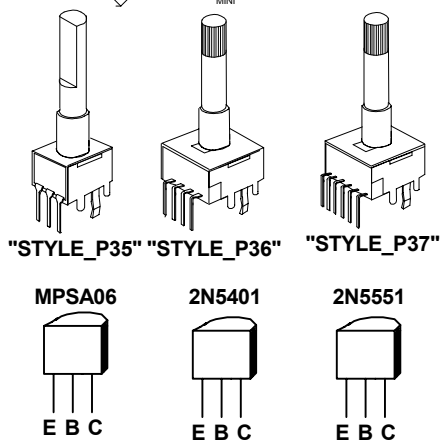


M1205.PCB_DATABASE_HISTORY

MODEL(S):-	XS 800		
#	DATE	VER#	DESCRIPTION OF CHANGE
1	D	1.00	N
2	JUN-30-2004	1.10	PC#6708 C30 FROM 10N TO 18N (#5204 TO #5207)
3	AUG-13-2004		CHANGED SPACER MOUNTING HOLES FROM HOLE 156 TO HOLE 140
4	D	V	
5	AUG-23-2004	1.20	PC#6719 C30 FROM 18N TO 33N (#5207 TO #5222)
6	AUG-31-2004	2.00	Added testnodes and pads for Agilent and changed C30 back to 10N
7	D	V	
8	D	V	
9	D	V	
10	D	V	
11	D	V	
12	D	V	
13	D	V	

M1205

MODEL(S):-	XS 800		
REF	FUNCTION	PART#	KNOB
P4, P5	DRIVE MIX, RESO	4467	8400
P12 / P19	GAIN, MID-FREQ	4469	8400
P1	TUBE DRIVE	4470	8400
P15	HI-MID	4471	8400
P16	TREBLE	4471	8400
P17	LOW-MID	4471	8400
P18	BASS	4471	8400
P3	MASTER	4472	8400
P7	EFFECTS	4472	8400
P8	SCOOP	4472	8400
P13	COMPRESSOR	4474	8400
P2	FREQUENCY	4475	8400



OUT TO U5 PIN 3
PAGE 2

Yorkville

Product XS 800

Sheet1 PCB# M1205 Sheet 1 of 3

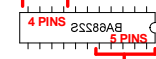
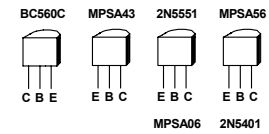
Date: Thu Sep 16, 2004 Rev: V2.00

Filename: M1205V2.00sch.sch2002

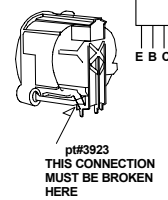
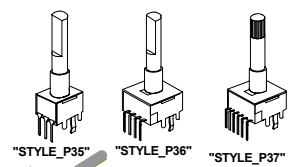
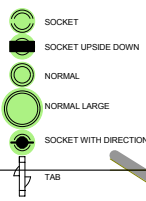
MODEL(S):-			XS800	M1205	DESCRIPTION OF CHANGE
#	DATE	VER#			POST PROCESSING REQUIRED
1	D				IN THE EXCELLEN DRILL FILE
2	D				CHANGE T8 CO.062 TO .063
3	D				SEARCH FOR THE TOOL THAT WAS CHANGED ABOVE
4	D				PUT PAIRS OF HOLES ONTO THE SAME LINE WITH
5	D				G85 BETWEEN THEM.
6	D				
7	D				
8	D				
9	D				
10	D				
11	D				
12	D				
13	D				

PRODUCTION NOTES

- BEND C25 CAP BEFORE WAVE SOLDERING
- CUT METAL PIN ON XLR #3923 AS SHOWN
- MANUALLY INSERT U12 AND CLINCH:
 - TOP LEFT FOUR PINS AND
 - BOTTOM RIGHT FIVE PINS FROM UNDER THE BOARD



U12 LOOKING FROM BENEATH BOARD



M1205 PENDING CHANGES

MODEL(S):-			XS800	PENDING CHANGE
#	PC#			
1				
2				
3				
4				
5				
6				
7				
8				
9				
10				
11				
12				
13				

M1205.PCB_DATABASE_HISTORY

MODEL(S):-			XS 800	DESCRIPTION OF CHANGE
#	DATE	VER#		
1	D	1.00	N	PC#6708 C30 FROM 10N TO 18N (#5204 TO #5207)
2	D	1.10	N	CHANGED SPACER MOUNTING HOLES
3	D			FROM HOLE 156 TO HOLE 140
4	D	1.20	N	PC#6719 C30 FROM 18N TO 33N (#5207 TO #5222)
5	D	2.00	N	Added testnotes and pads for Agilent and changed
6	D			C30 back to 10N
7	D			
8	D			
9	D			
10	D			
11	D			
12	D			
13	D			

M1205 STYLE

MODEL(S):-			XS 800	FUNCTION	PART#	KNOB
REF						
P4, P5				DRIVE MIX, RES3	4467	8400
P12 / P19				GAIN, MID-FREQ	4469	8400
P1				TUBE DRIVE	4470	8400
P15				HI-MID	4471	8400
P16				TREBLE	4471	8400
P17				LOW-MID	4471	8400
P18				BASS	4471	8400
P3				MASTER	4472	8400
P7				EFFECTS	4472	8400
P8				SCOOP	4472	8400
P13				COMPRESSOR	4474	8400
P2				FREQUENCY	4475	8400

Pcb Mech M1205 V2.00
Top Assy M1205 V2.00

BlankSize - 18775x11050

BlankSize - 18775x11050

ETCH GUIDE

ETCH GUIDE

M1205 V2.00

M1205
XS800
V2.00

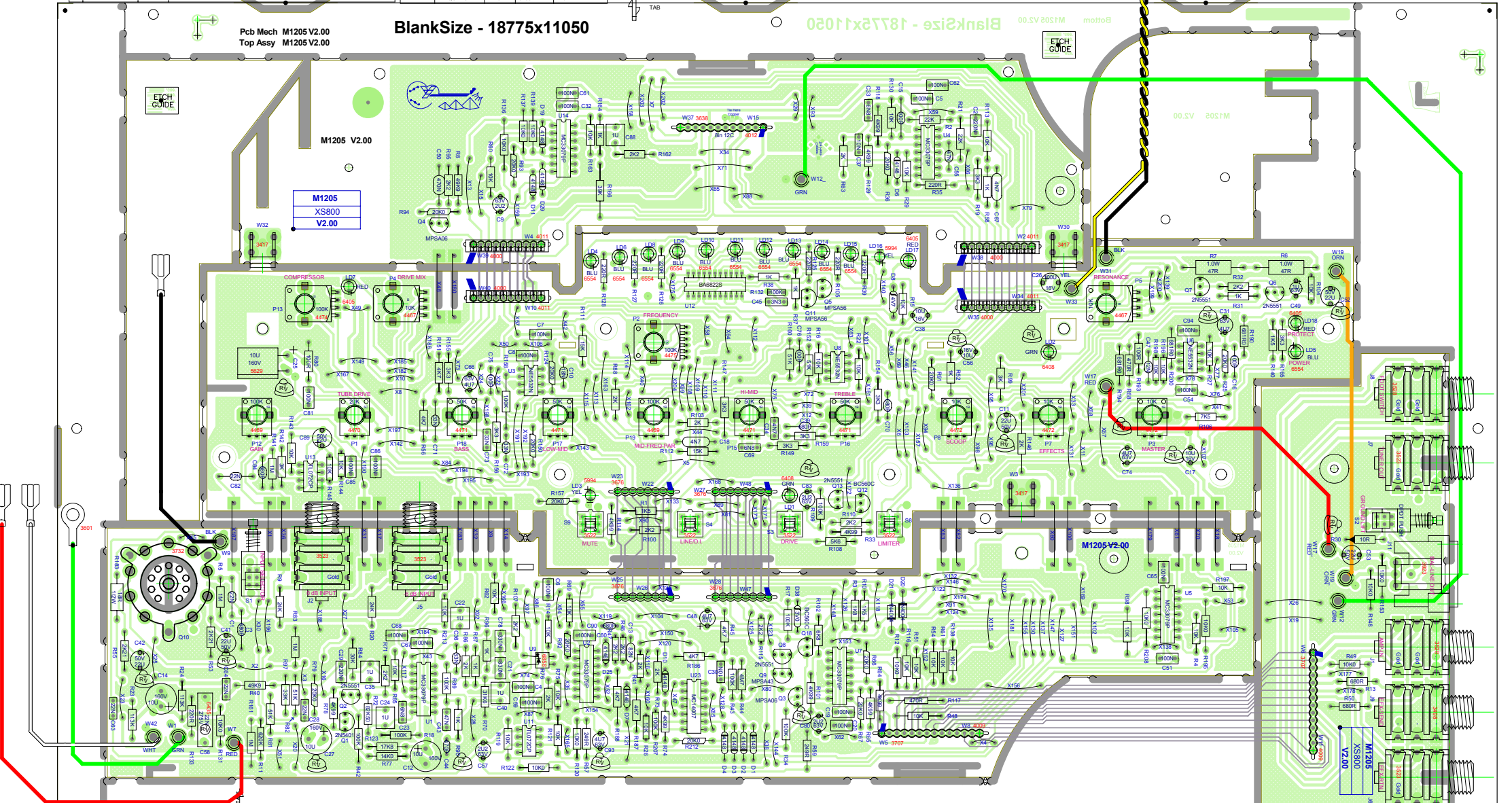
M1205 V2.00

Top Assy M1205 V2.00

ETCH GUIDE

CLINCH

INSERT



XS 800 POWER BOARD 3801 BUMPER LOCATION

