



YS-118PW

200 WATT POWERED SUBWOOFER



1. Parts List
2. Block Diagram
3. m519 schematic
4. m519 pcb
5. contact information

WORLD HEADQUARTERS CANADA

Yorkville Sound
550 Granite Court
Pickering, Ontario
L1W-3Y8 CANADA

Voice: (905) 837-8481
Fax: (905) 837-8746

U.S.A.

Yorkville Sound Inc.
4625 Witmer Industrial Estate
Niagara Falls, New York
14305 USA

Voice: (716) 297-2920
Fax: (716) 297-3689



Quality and Innovation Since 1963

Printed in Canada

Service Manual

READ THIS MANUAL THOROUGHLY AND RETAIN IT FOR FURTHER USE

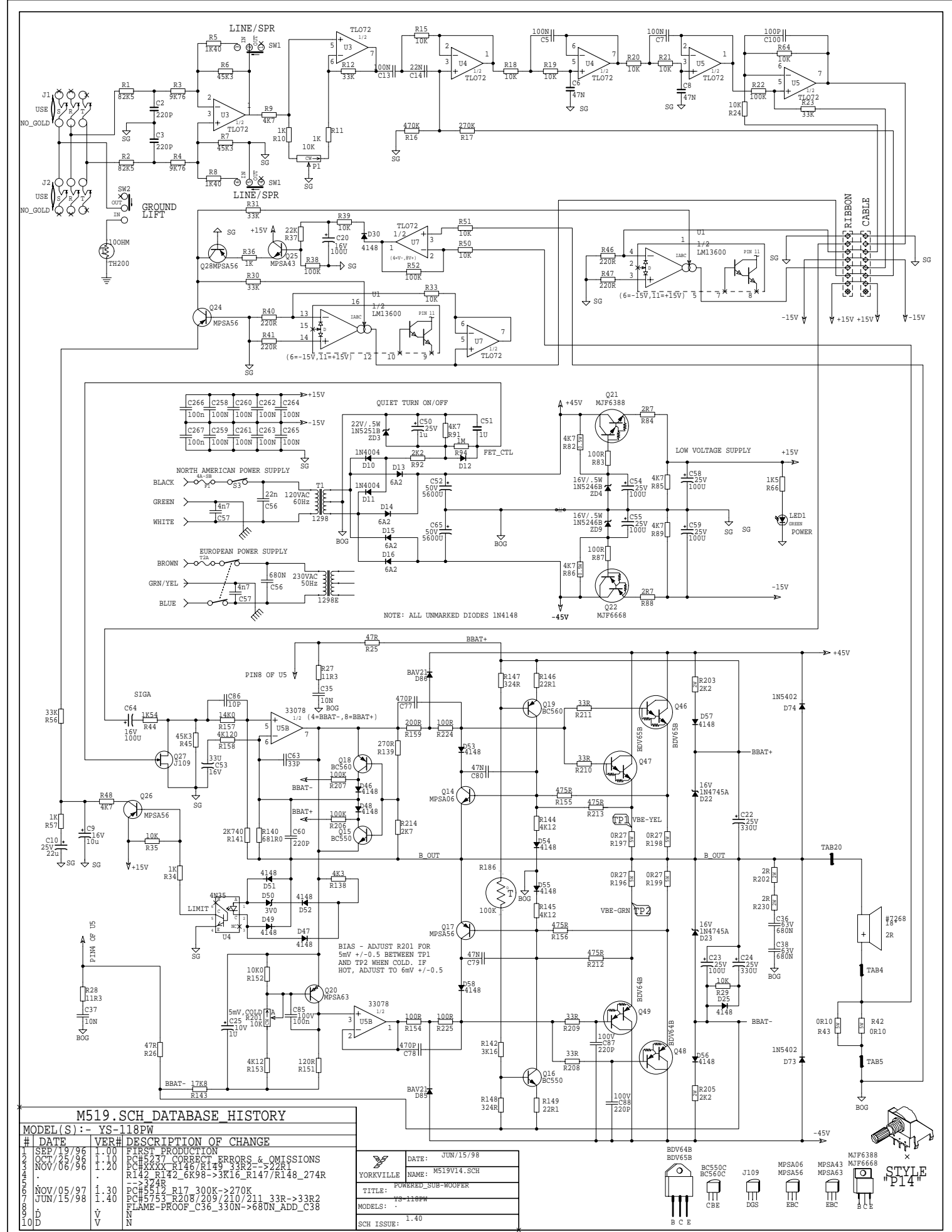
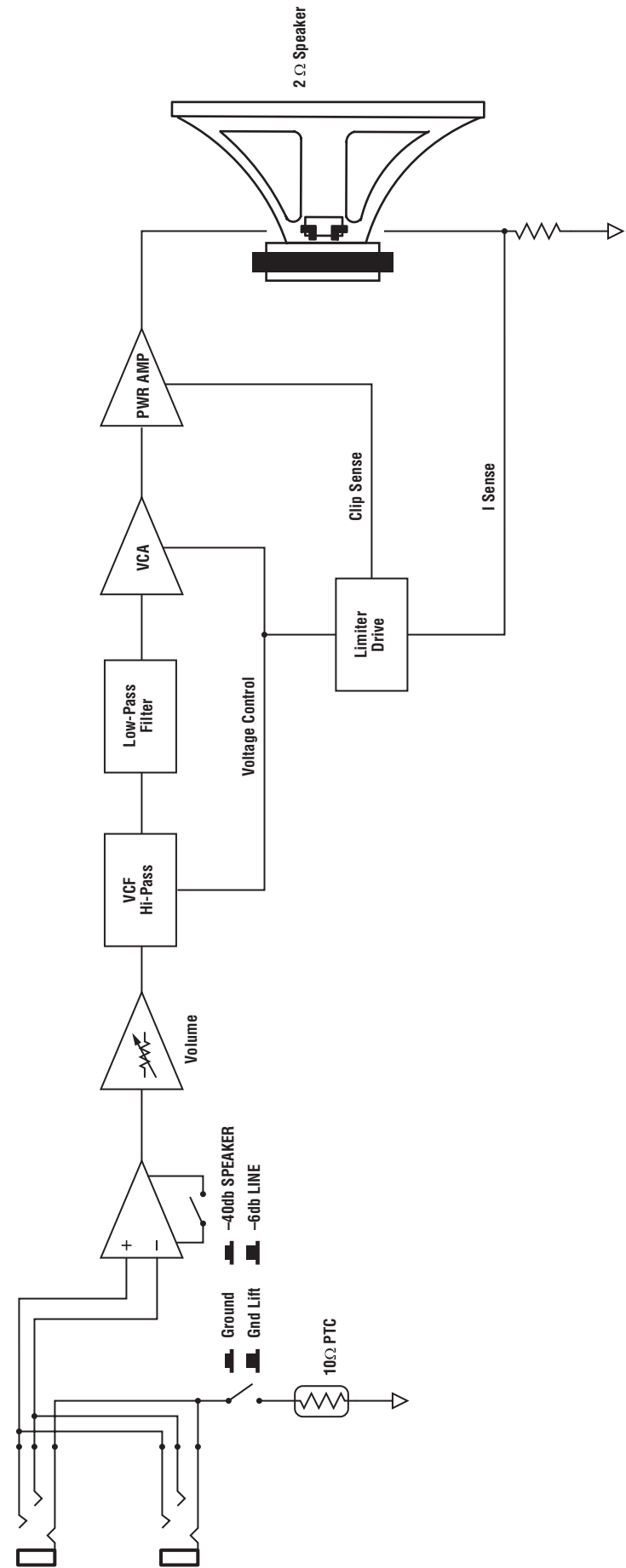


smys118pw.pdf V.3.0 8/98

**PERFORMANCE
SERIES**

Block Diagram for YS-118PW

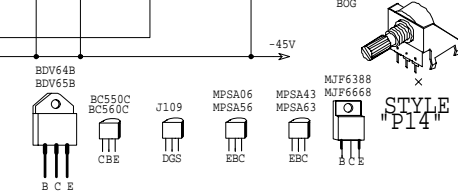
DESIGNED & MANUFACTURED BY YORKVILLE SOUND



M519.SCH DATABASE HISTORY

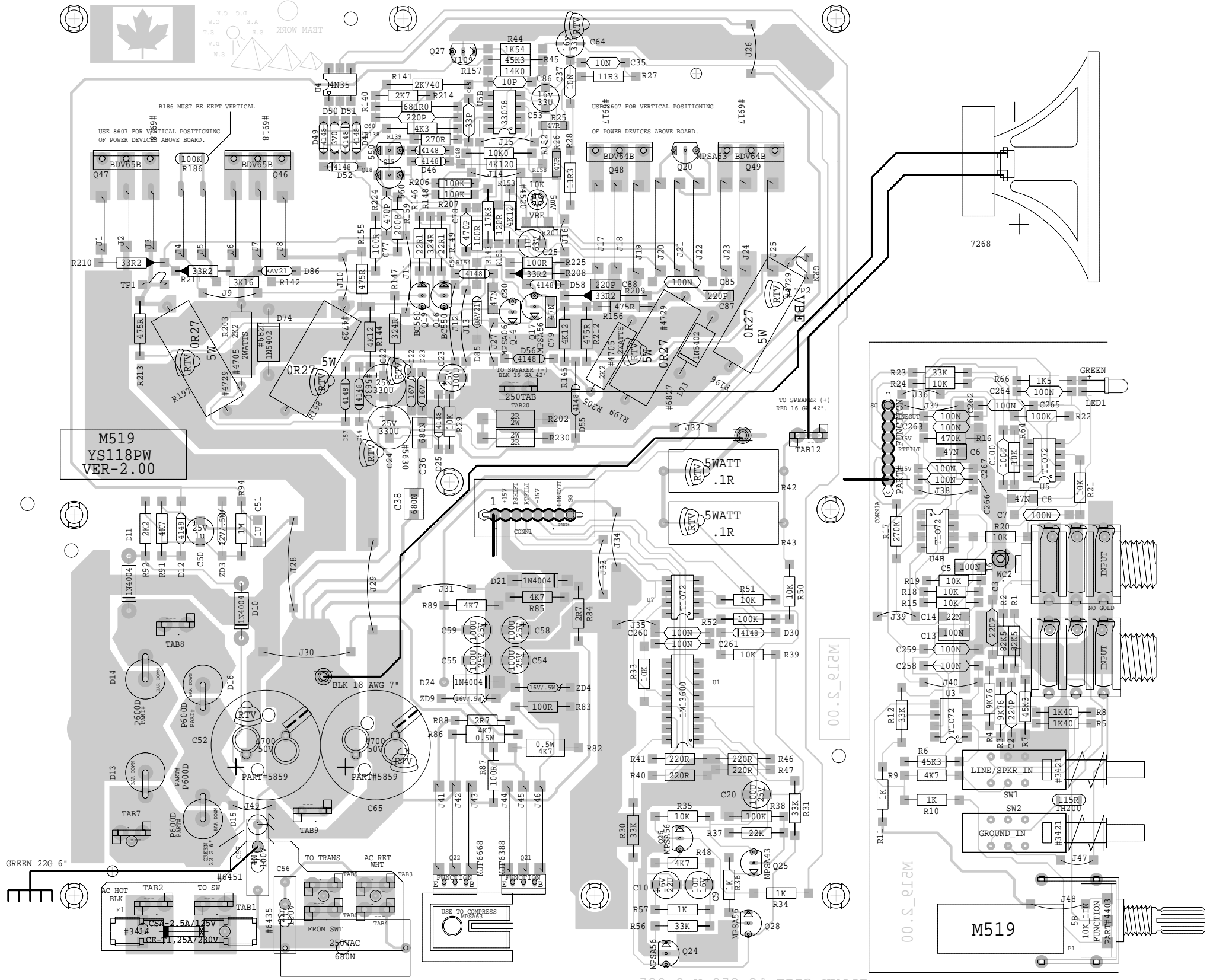
#	DATE	VER#	DESCRIPTION OF CHANGE
1	SEP/19/96	1.00	FIRST PRODUCTION
2	NOV/02/96	1.10	PCB 5277 CORRECTED ERRORS & OMISSIONS
3	NOV/02/96	1.20	PCB XXXX R146/R149 33R2->22R1 R142 R142 6K98->3K16 R147/R148 274R ->324R
4	JUN/05/97	1.30	PCB 5119 R17 300K->270K
5	JUN/15/98	1.40	PCB 5753 R208/209/210/211 33R->33R2 FLAME-PROOF_C36_330N->680N_ADD_C38

DATE:	JUN/15/98
YORKVILLE NAME:	M519V14.SCH
TITLE:	POWERED SUB-WOOFER
MODELS:	YS-118PW
SCH ISSUE:	1.40



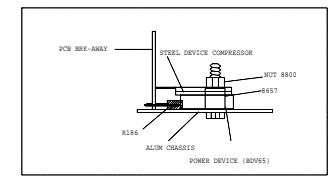
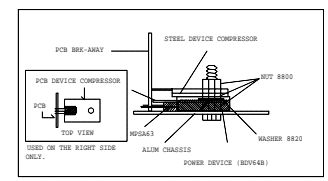
ASSEMBLY M519_2.00
PCB MECH M519_2.00

SOLDERSIDE M519_2.00



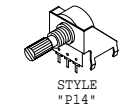
M519.PCB_DATABASE_HISTORY		
MODEL(S):- YS-118PW		
#	DATE	VER# DESCRIPTION OF CHANGE
1	SEP/19/96	1.00 FIRST PRODUCTION
2	OCT/02/96	1.10 CORRECT PRODUCTION PROBLEMS
3	NOV/07/96	ADD STAND-OFF NEAR U4
4		PC#5253 R147 R148 274R->324R
5		R149 R146 33R2->27R1 R142_
6		-6K98->3K16
7	NOV/05/97	1.11 PC#5512 R17 300K->270K
8	JUN/15/98	2.00 PC#5753 R208 209/210/211 33R
9		->33R2 FLAME-PROOF C36 330N->
10		680N_ADD_C38_680N

- PRODUCTION NOTES**
- 1 NO FUSE OR FUSE CLIPS FOR CE
NO WIRE JUMPER
 - 2 C56 FOR NORTH AMERICA USE #6435
FOR CE USE #5266 680N
NOTE: 680N MUST BE INSTALLED
AFTER BOARD IS SHEARED
 - 3 FOAM (PT#8379)MUST BE SILICONED
TO THE SOLDERSIDE OF THE INPUT
SECTION OF THIS BOARD
 - 4 Q20 MUST BE HAND INSERTED



BLANK SIZE=12.250 X 9.925

ETCH GUIDE



STYLE *P14*