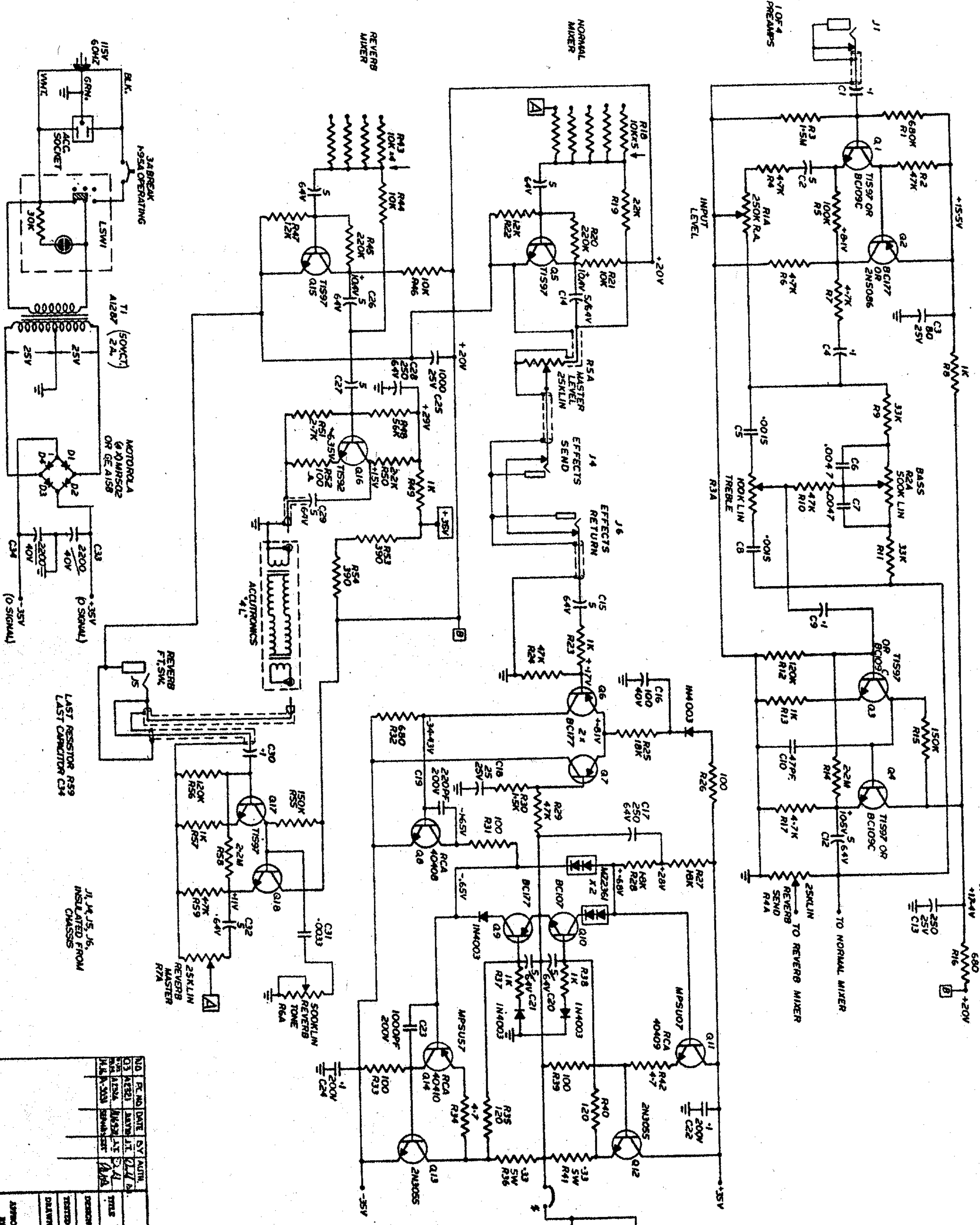


WIND FEVERB - replace C25 - fully



\*THERMAL SWITCH  
OPEN AT HEATSINK TEMP  
OF 100°C  
SELF-RESETTING AT  
HEATSINK TEMP  
OF APPROX 65°C

TOTAL IMPEDANCE  
27 OHMS MIN.

NO	REV	DATE	BY	INIT
03	REVISED	1974	JT	DL
02	REVISED	1973	JT	DL
01	REVISED	1972	JT	DL

DESIGNED BY	WANDERLIEB
TESTED BY	DL
DRAWN BY	LIZASEY
APPROVED BY	PAWILLIAM

**YORKVILLE SOUND LTD.**  
4 CHANNEL PA

- ALL CAPACITANCES IN MICROGRAMS UNLESS OTHERWISE NOTED
- ALL RESISTANCES IN OHMS UNLESS OTHERWISE NOTED
- ALL VOLTAGES MEASURED TO ±10% WITH A METER OR DVM VOLTMETER WITH CONTROLS AT MINIMUM AND DVM AC LINE VOLTAGE