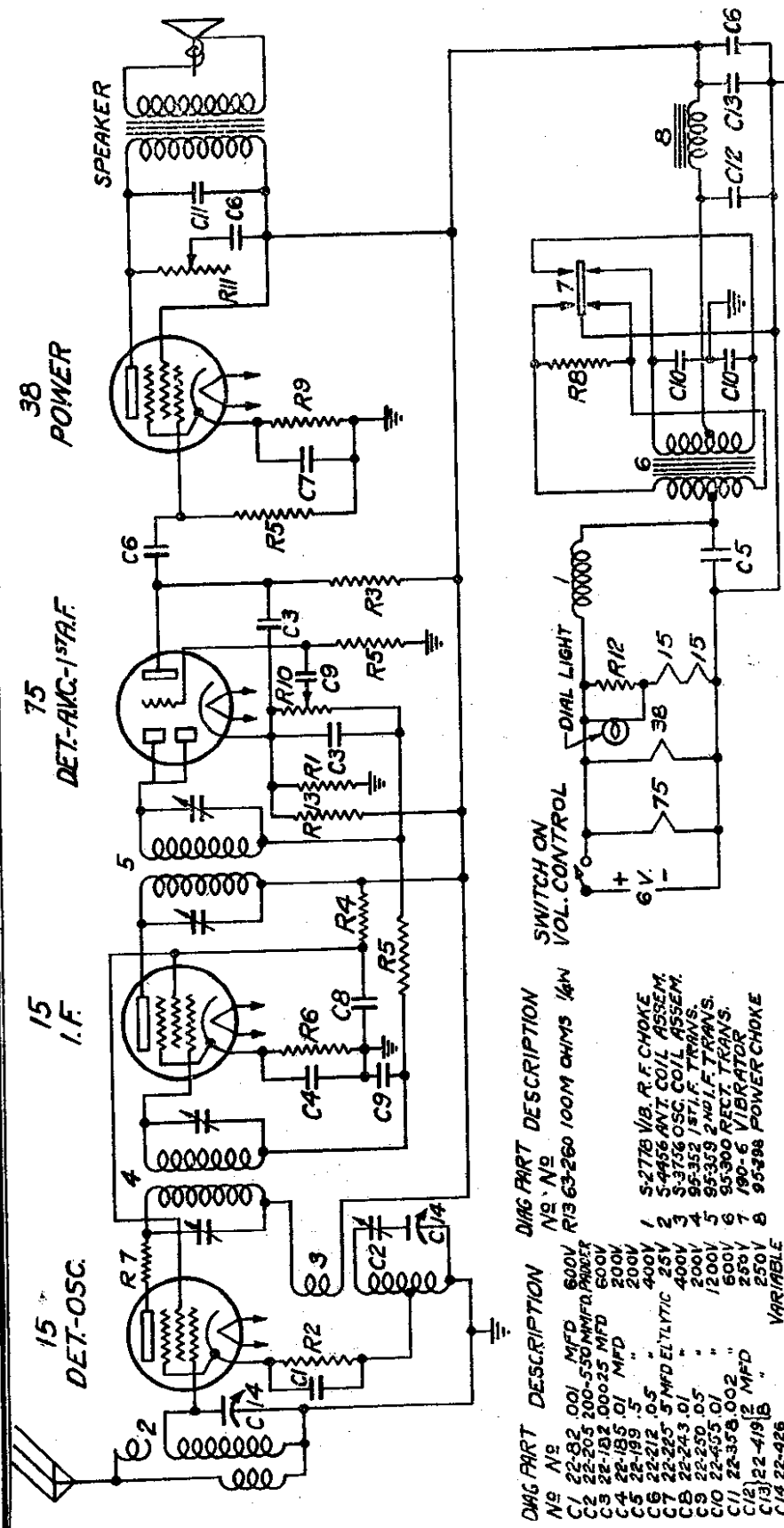


ZENITH RADIO CORP.

MODELS 4-B-106, 4-B-131  
4-B-132  
Chassis 5406  
Schematic



4-TUBE BATTERY SUPERHETERODYNE  
I.F. FREQUENCY 456 K.C.  
CHASSIS No 5406

TUNING RANGE 550-1700 K.C. ZENITH RADIO CORP. CHICAGO, ILL.

DIAG PART NO.	DESCRIPTION	DIAG PART NO.	DESCRIPTION
C1	22-82 .001 MFD 600V	R13	63-260 100M OHMS 1/4W
C2	22-203 200-550 MFD 200V	1	52776 VIB. R.F. CHOKE
C3	22-203 200-550 MFD 200V	2	54456 ANT. COIL ASSEM.
C4	22-185 .01 MFD 200V	3	S-375 OSC. COIL ASSEM.
C5	22-199 .5 MFD 200V	4	95-352 1ST I.F. TRANS.
C6	22-212 .05 MFD 400V	5	95-359 2ND I.F. TRANS.
C7	22-225 .5 MFD ELTLYTIC 25V	6	95-300 RECT. TRANS.
C8	22-223 .05 MFD 200V	7	190-6 VIBRATOR
C9	22-250 .01 MFD 200V	8	95-388 POWER CHOKE
C10	22-453 .01 MFD 250V		
C11	22-352 .002 MFD 250V		
C12	22-419 2 MFD 250V		
C13	22-419 2 MFD 250V		
C14	22-426 VARIABLE		

DIAG PART NO.	DESCRIPTION	DIAG PART NO.	DESCRIPTION
R1	63-236 1M OHMS 1/4W	SPEAKER	MODELS
R2	63-498 9M OHMS 1/4W	49-153	6" PM. 4-B-131
R3	63-258 490M OHMS 1/4W	49-152	6" PM. 4-B-132
R4	63-281 29M OHMS 1/4W	49-159	6" PM. 4-B-106
R5	63-281 29M OHMS 1/4W		
R6	63-303 700 OHMS 1/4W		
R7	63-357 500 OHMS 1/4W		
R8	63-384 200 OHMS 1/4W		
R9	63-415 1500 OHMS 1/4W		
R10	63-534 400M OHMS VOL. CONTROL		
R11	63-469 100M OHMS TONE		
R12	63-534 30 OHMS WIRE WOUND		

CIRCUIT DIAGRAM—Models 4-B-106, 4-B-131, 4-B-132. (Chassis No. 5406)

Courtesy Nostalgia Air

MODELS 4-B-106, 4-B-131  
 4-B-132  
 MODELS 5-S-119, 5-S-126

ZENITH RADIO CORP.

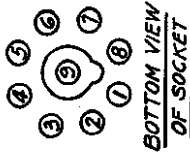
5-S-127, 5-S-150  
 5-S-151, 5-S-161  
 Voltage, Socket, Trimmers

MODELS  
 5-S-119, 5-S-126, 5-S-127, 5-S-150, 5-S-151, 5-S-161  
 CHASSIS No. 5516

SOCKET VOLTAGES

Tube	Position	1	2	3	4	5	6	7	8	9
6A8	1st Det. Osc.	0	0	240	85	-1	166	6ac	4	0
6K7	I. F.	0	0	240	85	3	—	6ac	3	0
6Q7	2nd Det. A.V.C.	0	0	75	.1	.1	—	6ac	1.5	0
6F6	Power	0	0	230	240	-5	—	6ac	0	—
5Y3 5W4	Rectifier	0	240	—	AC	—	AC	—	240	—

All voltages measured from point indicated to ground, using a 1000 ohm per volt meter with antenna and ground disconnected.  
 Line Voltage 112V.  
 Current Consumption 55 watts.  
 Power Output 3 watts.  
 For other data see index



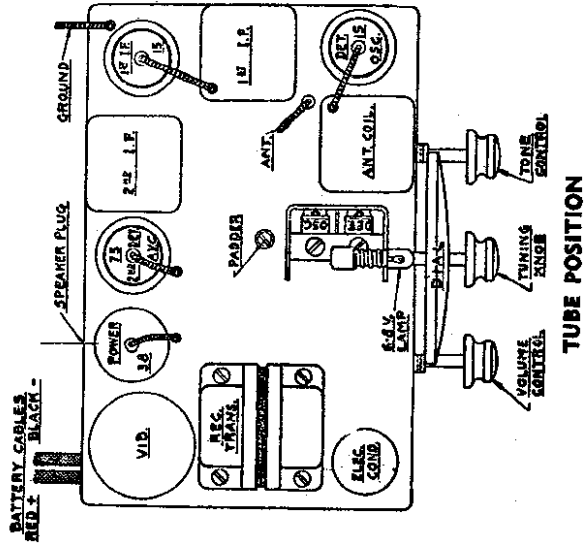
BOTTOM VIEW OF SOCKET

MODELS  
 4-B-106, 4-B-131, 4-B-132  
 CHASSIS No. 5406

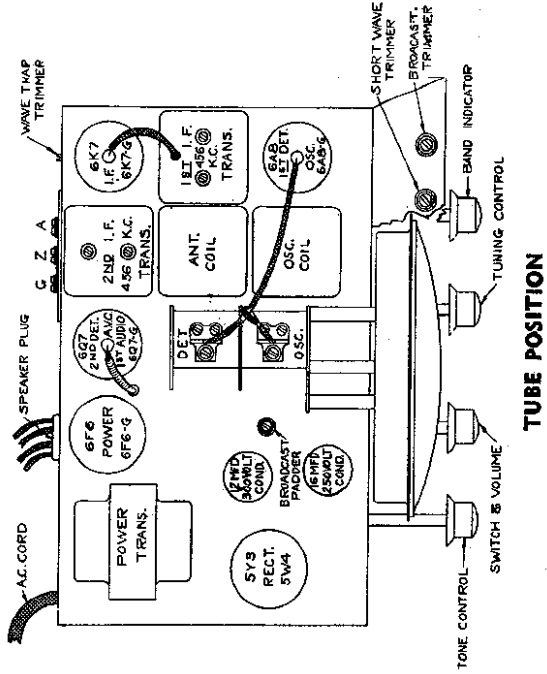
SOCKET VOLTAGES

Tube	Position	Ef	Ek	Eg <sup>1</sup>	Eg <sup>2</sup>	Eg <sup>3</sup>	Ep
15	1st Det. Osc.	2	8	0	115	—	155
15	I. F.	2	3.5	0	115	—	155
75	2nd Det. A.V.C.	6	1.5	0	—	—	30
38	PWR	6	1.4	0	155	—	148

f—filament; k—cathode; g<sup>1</sup>—control grid; g<sup>2</sup>—screen grid; g<sup>3</sup>—suppressor grid; p—plate.  
 All measurements taken from point indicated to ground using a 1000 ohm per volt D. C. meter with antenna and ground disconnected.  
 Battery Voltage 6V.  
 Battery Drain 1.7 amperes.  
 Power Output 1 watt.



CAUTION: Reversal of the battery polarity will damage the filter condensers. The storage battery must be connected as shown above.



TUBE POSITION