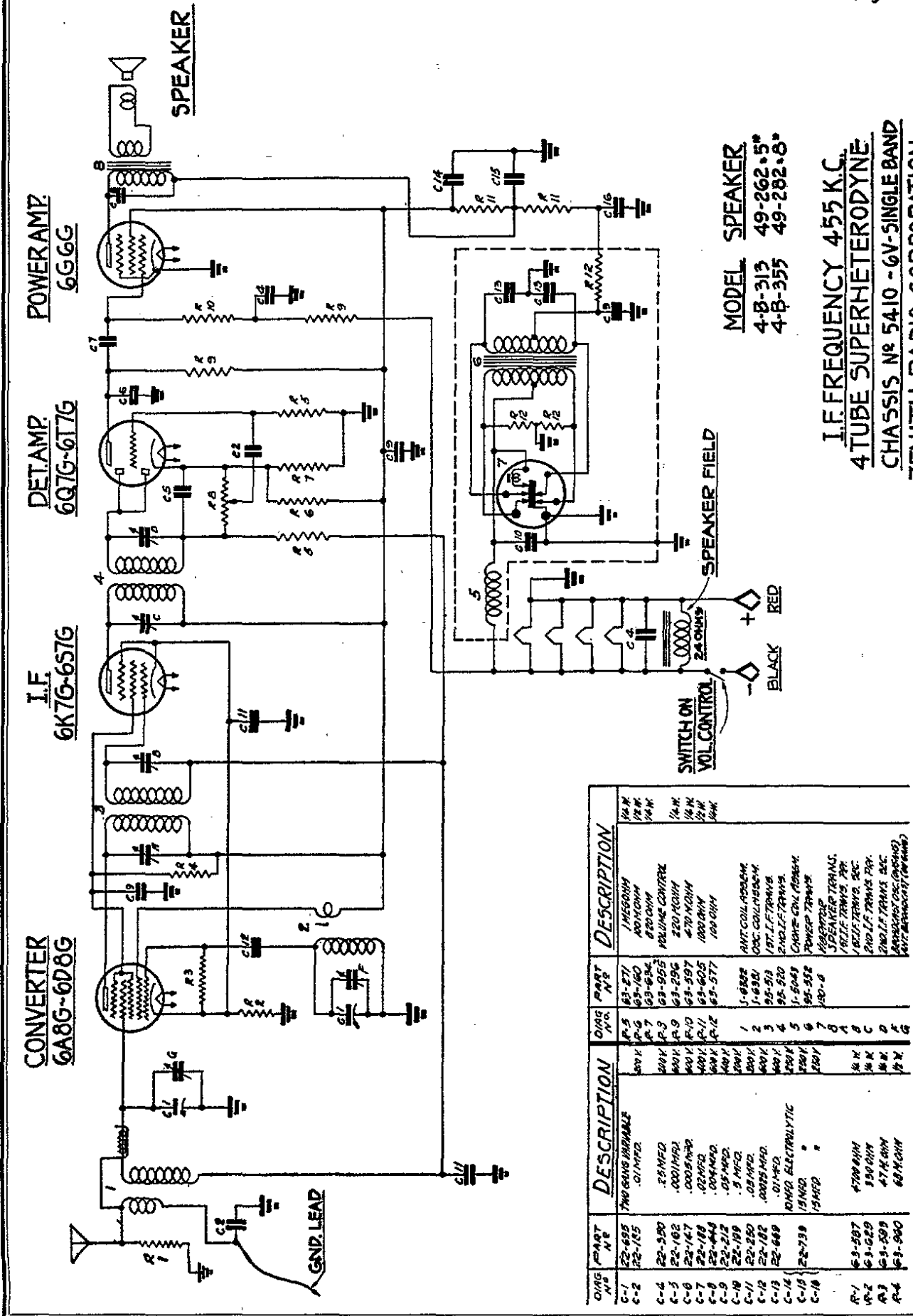


ZENITH RADIO CORP.

MODELS 4B313, 4B355
Chassis 5410
Schematic, Parts



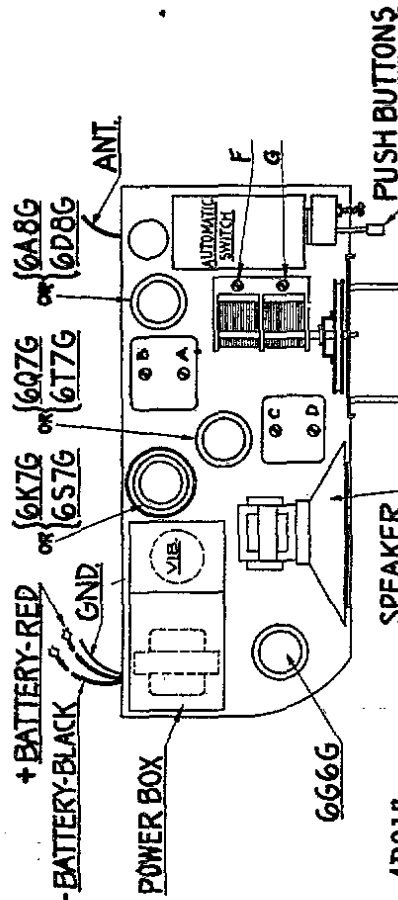
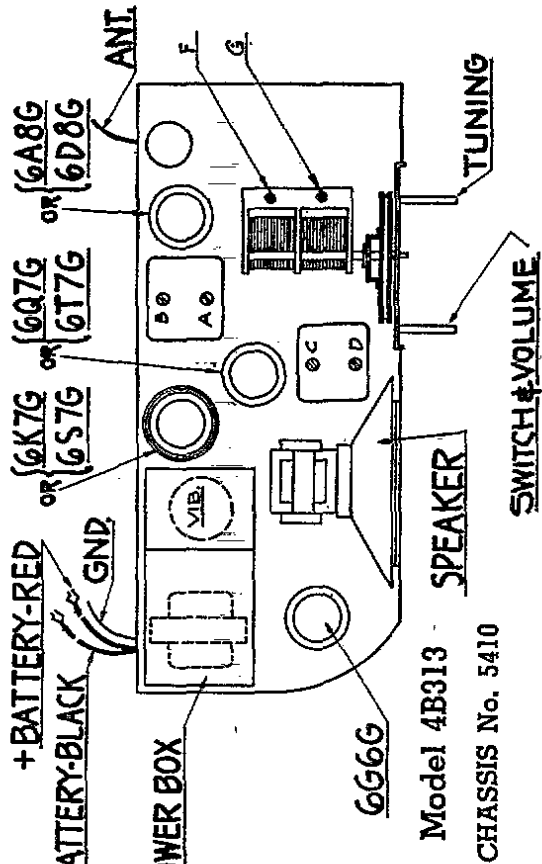
MODEL SPEAKER
4-B-313 49-262.5"
4-B-355 49-282.8"

I.F. FREQUENCY 455 K.C.
4 TUBE SUPERHETERODYNE
CHASSIS No 5410 - 6V-SINGLE BAND
ZENITH RADIO CORPORATION
CHICAGO, ILLINOIS

QMG No	PART No	DESCRIPTION	QMG No	PART No	DESCRIPTION
C-1	22-695	TWO GANG VARIABLE	R-5	63-271	1 MEG OHM
C-2	22-165	.01 MFD.	R-6	63-160	40 M OHM
C-3	22-390	.25 MFD.	R-7	63-634	820 OHM
C-4	22-162	.0001 MFD.	R-8	63-952	VOLUME CONTROL
C-5	22-147	.0005 MFD.	R-9	63-256	220 OHM
C-6	22-177	.02 MFD.	R-10	63-597	470 M OHM
C-7	22-188	.004 MFD.	R-11	63-605	100 OHM
C-8	22-444	.004 MFD.	R-12	63-577	100 OHM
C-9	22-212	.05 MFD.			
C-10	22-189	.5 MFD.			
C-11	22-250	.03 MFD.			
C-12	22-182	.01 MFD.			
C-13	22-649	COND. ELECTROLYTIC			
C-14	22-739	1 MFD.			
C-15	22-739	1 MFD.			
C-16	22-739	1 MFD.			
R-1	63-507	470 OHM			
R-2	63-629	330 OHM			
R-3	63-599	47 K OHM			
R-4	63-900	60 K OHM			

ZENITH RADIO CORP.

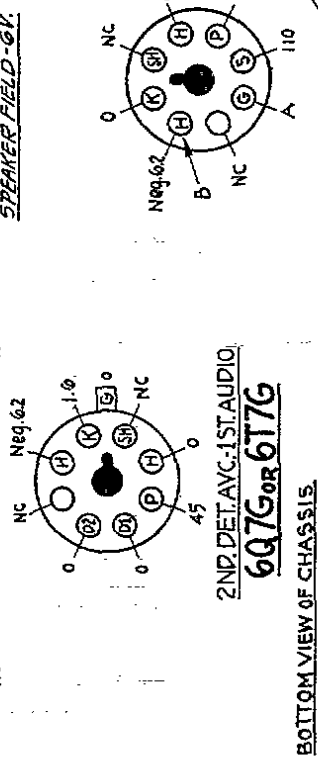
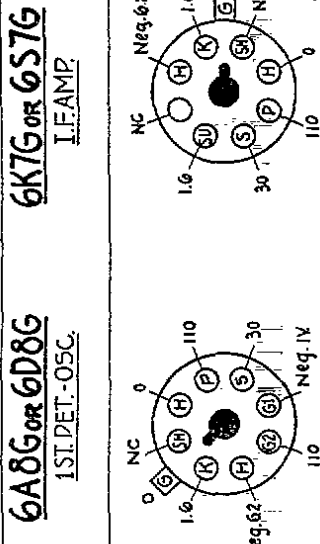
MODELS 4B313, 4B355
 MODELS 4B314, 4B317
 Socket, Trimmers
 Voltage, Alignment



Location of Tubes and Trimmers

ALIGNMENT PROCEDURE

Operation	Connect Test Oscillator to	Dummy Antenna	Set Test Osc. to	Band	Set Dial At	Adjust Trimmers	Purpose
1	1st Def. Grid	1/2 Mfd.	455	Br'dc't	600	ABCD	I. F. Alignment
2	Rec. Ant. Lead	200 Mmfd.	1500	"	1500	F	Set Osc. to Scale
3	"	"	1500	"	1500	G	Alignment of Ant.



NOTE

Voltages measured with a 1000 ohm per volt meter from chassis to socket contacts. Antenna disconnected — volume control on full.

Battery Voltage at chassis 6.2 v.

Battery Consumption 2.3 am-pere.

(A) Bias for 6G6 measured from point "B" to chassis.