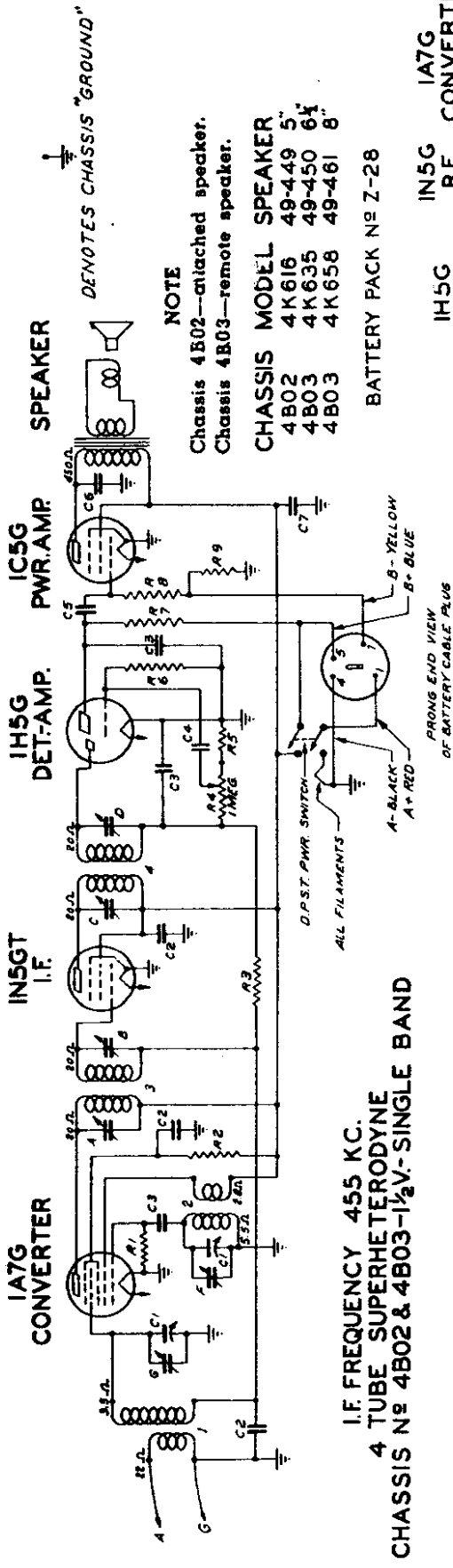


ZENITH RADIO CORP.

MODELS 4K616, 4K2616, Ch. 4B02;
4K635, 4K658, Ch. 4B03
MODEL 4B639



I.F. FREQUENCY 455 KC.
4 TUBE SUPERHETERODYNE
CHASSIS NO 4B02 & 4B03—1½V.—SINGLE BAND

CHAS. NO.	PART NO.	DESCRIPTION	DIAS. NO.	PART NO.	DESCRIPTION	DIAS. NO.	PART NO.	DESCRIPTION
C1	22-209	TWO GANG VARIABLE—4B03	R4	63-125	VOLUME CONTROL—4B03	A		12.1/2 TRANS PRI
C2	22-859	TWO GANG VARIABLE—4B02	R5	63-587	VOLUME CONTROL—4B02	B		12.1/2 TRANS SEC
C3	22-162	500 MF	R6	63-976	1/5 MEG OHM	C		500 P.F.
C4	22-826	500 MF	R7	63-271	1 MEG OHM	D		500 P.F.
C5	22-243	500 MF	R8	63-600	1/2 MEG OHM	E		400 P.F.
C6	22-443	500 MF	R9	63-634	250 OHM	F		400 P.F.
C7	22-664	500 MF ELECTROLYTIC				G		400 P.F.
R1	63-654	100 M OHM						400 P.F.
R2	63-554	60 M OHM						400 P.F.
R3	63-669	5.3 MEG OHM						400 P.F.

All voltages measured with a 1000 ohm per volt meter from chassis to socket contact indicated.
All voltages are positive D.C. unless marked otherwise.
Volume control on full.
Battery Z28
Power consumption—1.3 watts.
Power output—.28 watts.

Stage Gains
Bc. and I.F.
Ant. to conv. grid—5.7X at 1000 Kc.
Conv. grid to i.f. grid 69X at 455 Kc.
Overall audio 257X at .050 watt, 400 cycles.

ALIGNMENT PROCEDURE CHASSIS 4B02, 4B03

Operation	Connect Test Oscillator to	Dummy Antenna	Input Signal Frequency	Band	Set Dial At	Adjust Trimmers	Purpose
1	Converter Grid	½ Mfd.	455 Kc.	Broadcast	800 Kc.	A, B, C, D	I. F. Alignment
2	Ant.-Gnd.	200 Mmf.	1500 Kc.	Broadcast	1500 Kc.	F	Set Oscillator to Scale
3	"	260 Mmf.	1400 Kc.	Broadcast	1400 Kc.	G	Alignment of Antenna

