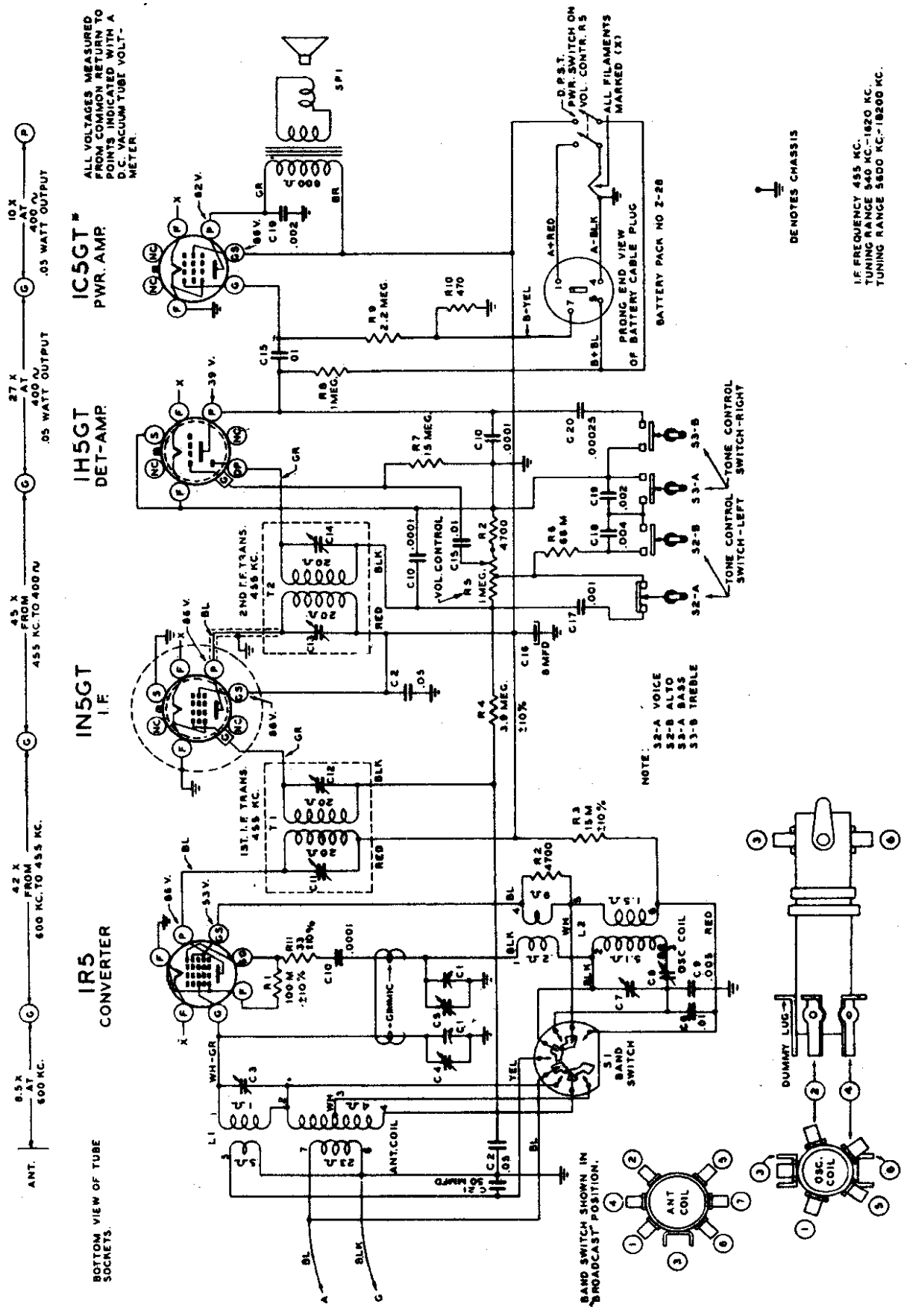


ZENITH RADIO CORP.

MODELS 4K040, 4K040G,
Chassis 4C54



ALL VOLTAGES MEASURED FROM COMMON RETURN TO POINTS INDICATED WITH A D.C. VACUUM TUBE VOLT-METER.

ANT. 0.5 X AT 500 KC. 42 X FROM 600 KC. TO 455 KC. 45 X FROM 455 KC. TO 400 KC. 27 X AT 400 KC. 10 X AT 400 KC. .05 WATT OUTPUT .05 WATT OUTPUT

IC5GT* PWR. AMP.

IH5GT DET-AMP.

IN5GT I.F.

IR5 CONVERTER

BOTTOM VIEW OF TUBE SOCKETS.

BATTERY PACK NO 2-28

PRONG END VIEW OF BATTERY CABLE PLUG

NOTE:
32-A VOICE
32-B ALTO
32-C BASS
33-B TREBLE

DENOTES CHASSIS

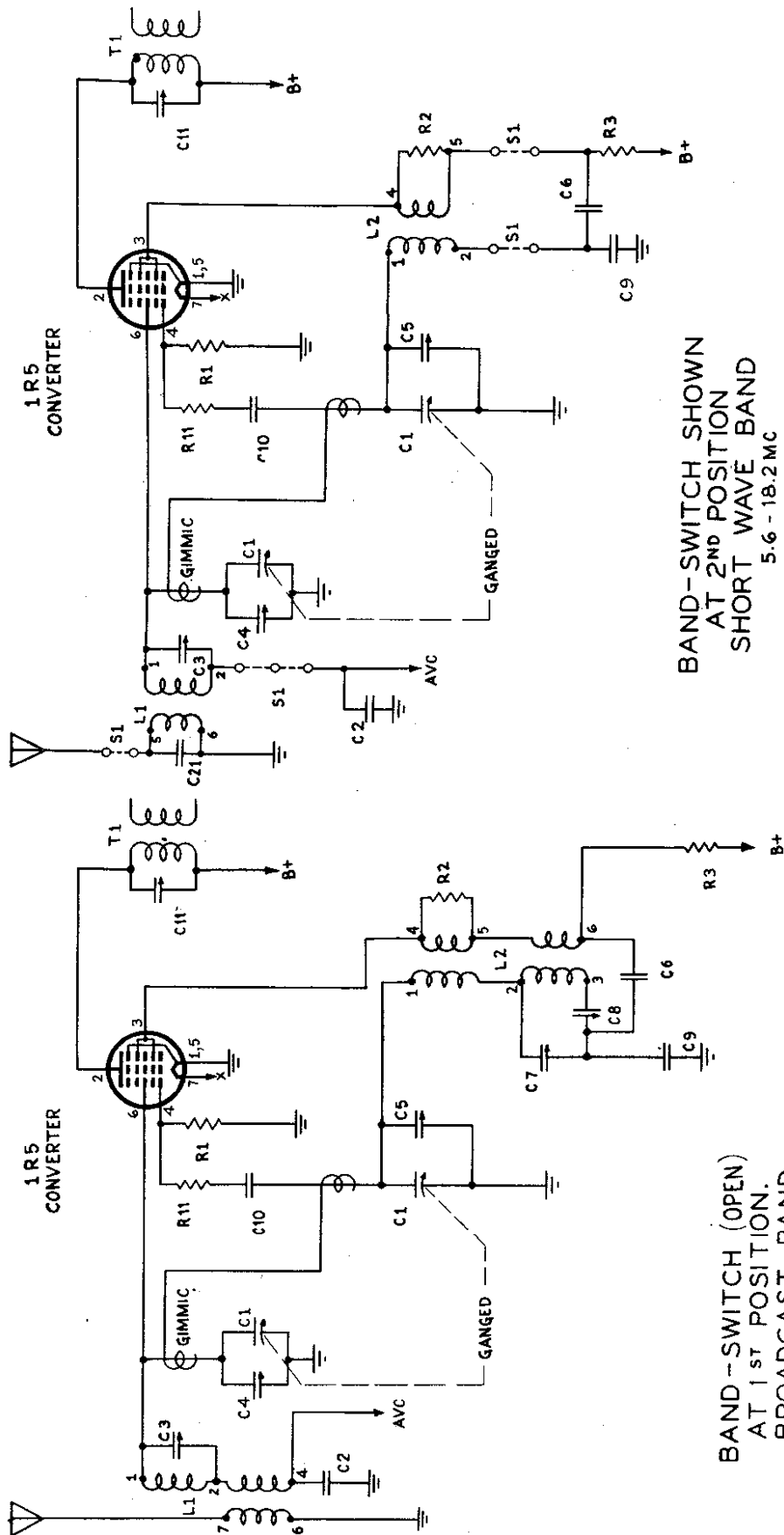
IF FREQUENCY 455 KC.
TUNING RANGE 540 KC.-1620 KC.
TUNING RANGE 5600 KC.-18200 KC.

BAND SWITCH SHOWN IN "BROADCAST" POSITION.

DUMMY LUG

ALL RESISTORS ± 20% TOLERANCE UNLESS OTHERWISE SPECIFIED.

"clarified schematics"



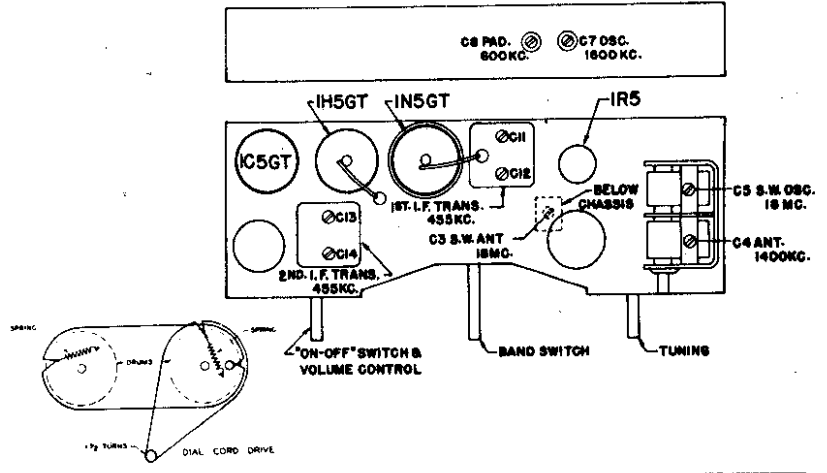
BAND-SWITCH SHOWN
AT 2ND POSITION
SHORT WAVE BAND
5.6 - 18.2 MC

BAND-SWITCH (OPEN)
AT 1ST POSITION.
BROADCAST BAND
540 - 1620 KC

TO THE SERVICE MAN:

The alignment of this receiver is conventional. An output meter, connected across the voice coil of the speaker, is very helpful in making correct adjustments.

The Guardian Reminder Circuit consist of a 4700 ohm resistor (R2) in series with the low side of the volume control. With this circuit, it is impossible to turn the volume completely off and leave the power on. In some cases where the minimum volume is too high even at the lowest setting of the volume control, R2 may be changed to a lower value or shorted out completely.



TUBE TRIMMER LOCATION AND DIAL CABLE DRAWING
ALIGNMENT PROCEDURE

OPERATION	CONNECT OSC. TO	DUMMY ANT.	INPUT SIG. FREQUENCY	BAND	SET DIAL AT	TRIMMERS	PURPOSE
1	Converter Grid	.5 Mfd.	455 Kc.	BC	600 Kc.	C-11,C-12, C-13,C-14	Align I.F.
2	Ant.-Gnd.	400 ohms	18 Mc.	SW	18 Mc.	C-5	Set Osc. to Scale
3	Ant.-Gnd.	400 ohms	400 ohms	SW	Rock Gang 18 Mc.	C-3	Align Antenna
4	Ant.-Gnd.	200 Mmf.	1600 Kc.	BC	1600 Kc.	C-7	Set Osc. to Scale
5	Ant.-Gnd.	200 Mmf.	1400 Kc.	BC	1400 Kc.	C-4	Align Antenna
6	Ant.-Gnd.	200 Mmf.	600 Kc.	BC	Rock Gang 600 Kc.	C-8	Adjust Padder

DIAL ASSEMBLY		RESISTORS				
26-342	Dial Scale.....	50	63-260	100M Ohm (R1).....	1/4 Watt	.09
46-443	Radiogram Knob (Voice).....	.07	63-271	1 Megohm (R6).....	1/4 "	.09
46-444	" " (Treble).....	.07	63-511	15M Ohm (R3).....	1/4 "	.09
46-445	" " (Alto).....	.07	63-581	470 Ohm (R10).....	1/4 "	.09
46-446	" " (Bass).....	.07	63-587	4700 Ohm (R2).....	1/4 "	.09
59-122	Off & ON Indicator.....	.12	63-594	68M Ohm (R6).....	1/4 "	.09
59-160	Dial Pointer.....	1.14	63-600	2.2 Megohm (R9).....	1/4 "	.09
76-335	Tuning Control Shaft.....	.07	63-620	33 Ohm (R11).....	1/4 "	.09
80-183	Indicator Spring.....	.024	63-669	3.9 Megohm (R4).....	1/4 "	.09
80-209	Dial Cord Tension Spring.....	.024	63-976	15 Megohm (R7).....	1/4 "	.09
80-471	Tuning Shaft Spring.....	1.31C	63-1236	Volume Control & Switch (R5).....	1.81	
93-690	Felt Washer (S-11362).....	.60C				
192-90	Dial Crystal.....	.50				
196-64	Dial Crystal Gasket.....	.08				
39598	Indicator Cam Assem.....	.07	49-522	6 1/2" P.M. Speaker.....	10.00	
39610	Dial Cord & Eyelet (Pointer).....	.12		206-522 Output Transformer.....	2.21	
39733	Dial Cord & Eyelet (Gang Cond.).....	.07		209-522 Cone & Voice Coil.....	2.09	
39751	Pulley & Rivet Assem. (Gang Cond.).....	.12	52-190	Speaker Cable.....	.19	
311362	Pulley & Bushing Assem. (Pointer).....	.11	54-34	#6-32 x 1/4 x 3/32 Hex Nut.....	.31C	
311558	Vol. & Tuning Knob Assem. (2 used) [46-520].....	.28	57-11A	Antenna Marker.....	.024	
312305	Band Switch Knob Assem. (46-598).....	.32	57-11G	Ground Marker.....	.024	
			57-900	Dial Mtg. Plate.....	.35	
			57-1159	Radiorgan Escutcheon Plate (2 used).....	.18	
			58-74	Battery Cable Plug.....	.12	
			70-124	#2 x 3/8 Phillips Hd. Wood Screw - Brass Plated (57-1159).....	1.70C	
			78-456	Miniature Tube Socket.....	.19	
			78-611	Octal Base Tube Socket (3 used).....	.12	
			95-279	Band Selector Switch.....	.72	
			85-284	Radiorgan Switch L.H. (Voice & Alto).....	.55	
			85-288	Radiorgan Switch R.H. (Treble & Bass).....	.55	
			93-125	#6 Internal Shakeproof Lockwasher.....	.31C	
			93-258	Brown Felt Washer (Knobs).....	.78C	
			94-29F	Steel Bushing (Radiorgan) (4 used).....	.036	
			112-56	#6-1/4 Hex Hd. Self Tapping Screw.....	.55C	
			114-67	#5-32 x 7/16 Hex Acorn Hd. M.S. Steel N.P. (Radiorgan) (4 used).....	.43C	
			114-162	#8 x 7/8 Hex Acorn Hd. Self Tapping Screw (Chassis Mtg.).....	1.20C	
			125-17	Rubber Grommets (85-284 & 288).....	.03	
			125-39	Rubber Grommets.....	.02	
			126-379	Tube Shield.....	.07	
			159-14	Plug Buttons (Dial Scale).....	.78C	
			186-52	Retainer Ring (76-335).....	1.03C	
			189-54	Retainer Ring (S-11362).....	1.20C	
			189-46	Control Knob Decorative Ring.....	.055	
			202-384	Instruction Book.....	.15	