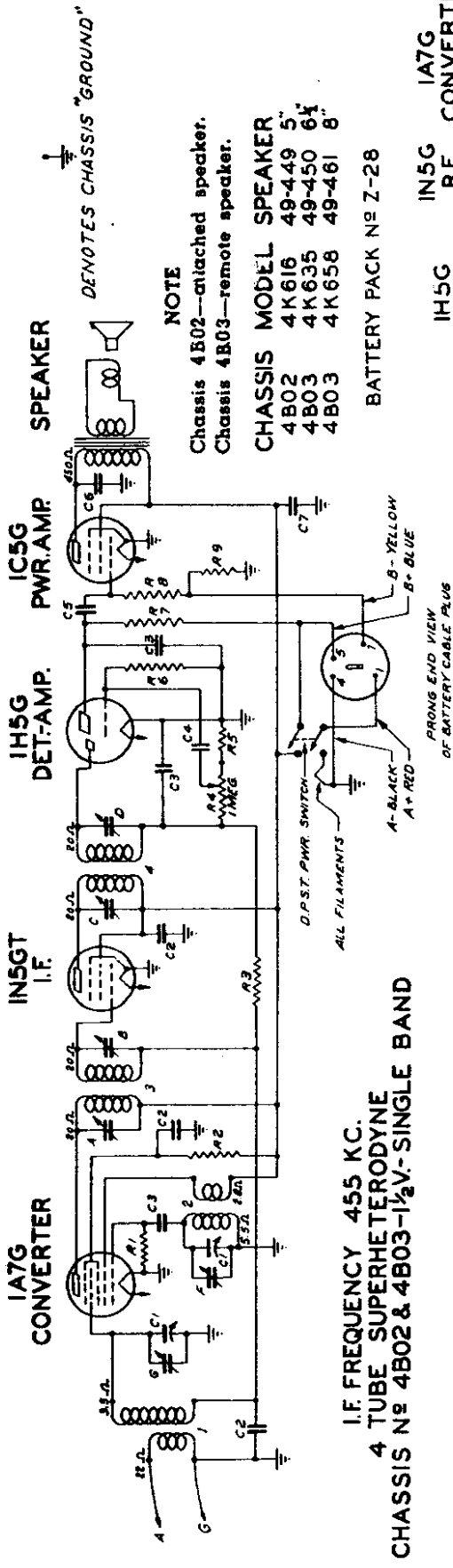


ZENITH RADIO CORP.

MODELS 4K616, 4K2616, Ch. 4B02;  
4K635, 4K658, Ch. 4B03  
MODEL 4B639



**I.F. FREQUENCY 455 KC.**  
**4 TUBE SUPERHETERODYNE**  
**CHASSIS NO 4B02 & 4B03—1½V.—SINGLE BAND**

CHAS. NO.	PART NO.	DESCRIPTION	DIAS. NO.	PART NO.	DESCRIPTION	DIAS. NO.	PART NO.	DESCRIPTION
C1	22-209	2MO GANG VARIABLE—4B03	R4	63-125	VOLUME CONTROL—4B03	A	121	I.F. TRANS PRI
C2	22-859	2MO GANG VARIABLE—4B02	R5	63-587	VOLUME CONTROL—4B02	B	121	I.F. TRANS SEC
C3	22-162	500P MFD	R6	63-976	1/2 MEG OHM	C	121	500P I.F.
C4	22-826	500P MFD	R7	63-271	1 MEG OHM	D	121	500P I.F.
C5	22-243	500P MFD	R8	63-600	1/2 MEG OHM	E	121	500P I.F.
C6	22-443	500P MFD	R9	63-634	250 OHM	F	121	500P I.F.
C7	22-664	8 MFD ELECTROLYTIC 150V				G	121	500P I.F.
R1	63-654	100M OHM						20-237 ANTENNA COIL
R2	63-554	60M OHM						59554 OSC. COIL ASSEMBLY
R3	63-669	5.3 MEG OHM						95-814 I.F. TRANSFORMER

**Tuning Range—540 Kc.—1740 Kc.**

**Stage Gains**  
Bc. and I.F.

Ant. to conv. grid—5.7X at 1000 Kc.  
Conv. grid to i.f. grid 69X at 455 Kc.

**Overall audio 257X at .050 watt, 400 cycles.**

**Volume control on full.**  
Battery Z28  
Power consumption—1.3 watts.  
Power output—.28 watts.

**ALIGNMENT PROCEDURE CHASSIS 4B02, 4B03**

Operation	Connect Test Oscillator to	Dummy Antenna	Input Signal Frequency	Band	Set Dial At	Adjust Trimmers	Purpose
1	Converter Grid	½ Mfd.	455 Kc.	Broadcast	800 Kc.	A, B, C, D	I. F. Alignment
2	Ant.-Gnd.	200 Mmf.	1500 Kc.	Broadcast	1500 Kc.	F	Set Oscillator to Scale
3	"	260 Mmf.	1400 Kc.	Broadcast	1400 Kc.	G	Alignment of Antenna

