

Schematic, Voltage Alignment, Socket Trimmers

ZENITH RADIO CORP.

MODELS 4K310, 4K331, 4K355, Chassis 5412

MODEL
4K310
4K331
4K355

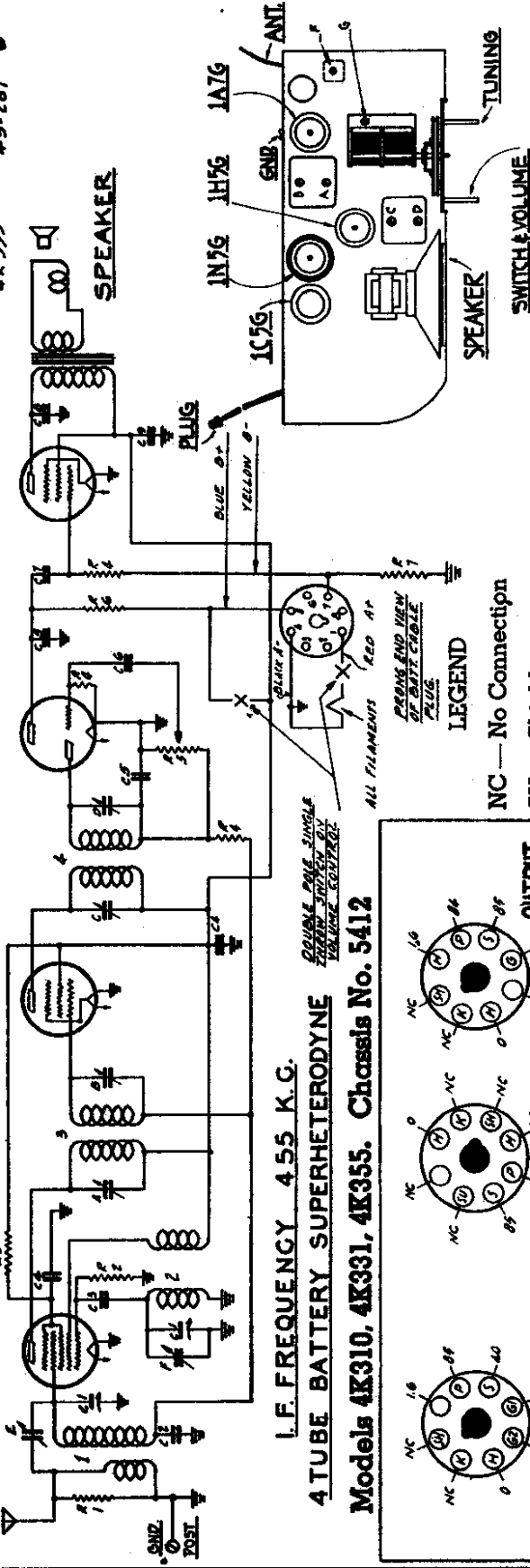
POWER-AMP
1C7G

DETECTOR-AMP
1H5G

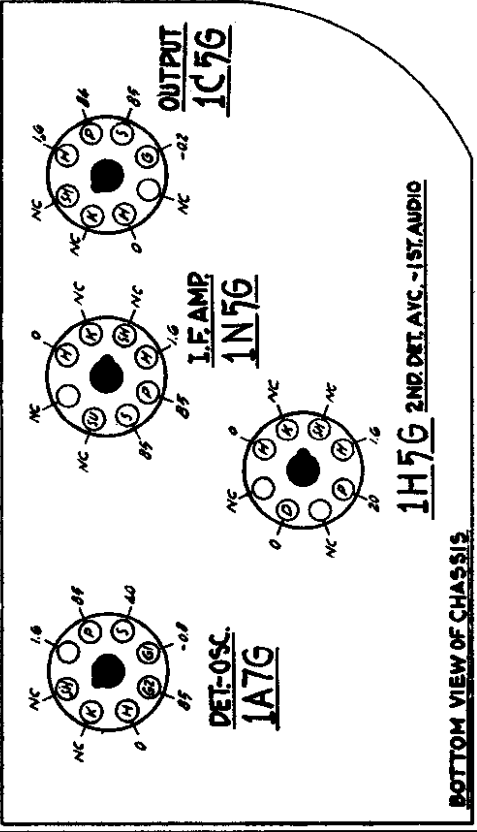
I.F.
1N5G

DETECTOR-OSSILLATOR
1A7G

DETECTOR-OSS.
1A7G



I.F. FREQUENCY 4.55 K.G.
4 TUBE BATTERY SUPERHETERODYNE
Models 4K310, 4K331, 4K355. Chassis No. 5412



BOTTOM VIEW OF CHASSIS
FRONT OF CHASSIS

NOTE

All voltages measured from point indicated to chassis using Zenith No. Z28 battery pack. a 1000 ohm per volt meter.

Antenna disconnected — volume control at minimum and condenser plates in full mesh.

Location of tubes and trimmers

CHASSIS NO.	PART NO.	DESCRIPTION
1	3-571A	ANTENNA COIL ASSEMBLY
2	3-630A	OSCILLATOR COIL ASSEMBLY
3	35-518	1ST I.F. TRANSFORMER
4	98-910	2ND I.F. TRANSFORMER
5		SPEAKER TRANS. (ON SPEAKER)
A		1ST I.F. TRIMM. PRIMARY
B		1ST I.F. TRIMM. SECONDARY
C		2ND I.F. TRIMM. PRIMARY
D		2ND I.F. TRIMM. SECONDARY
E	21-348	ANTENNA TRIMMER
F		BROADCAST OSC. (ON GAUGE)
G		

ALIGNMENT PROCEDURE

Operation	Connect Test Oscillator to	Dummy Antenna	Set Test Osc. to	Band	Set Dial At	Adjust Trimmers	Purpose
1	1st Det. Grid	1/2 Mfd.	455	Br'dc't	600	ABCD	I. F. Alignment
2	Rec. Ant. Lead	200 Mmfd.	1500	"	1500	F	Set Osc. to Scale
3	" "	200 Mmfd.	1500	"	1500	G	Alignment of Ant.