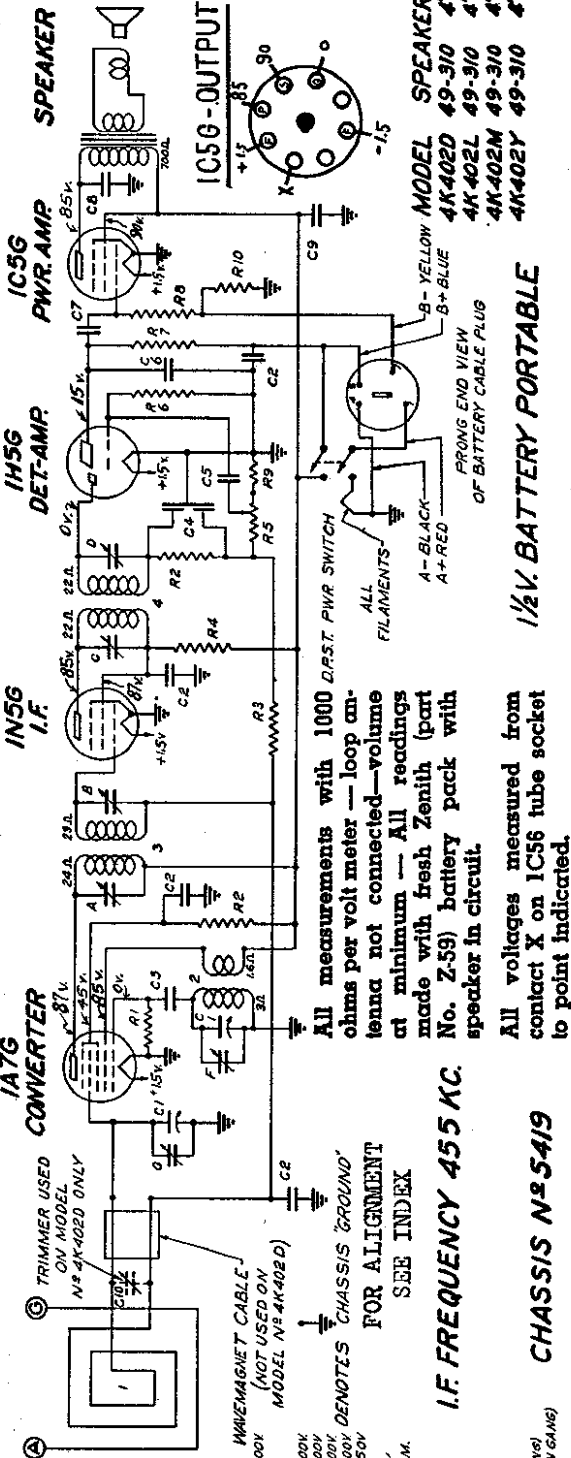


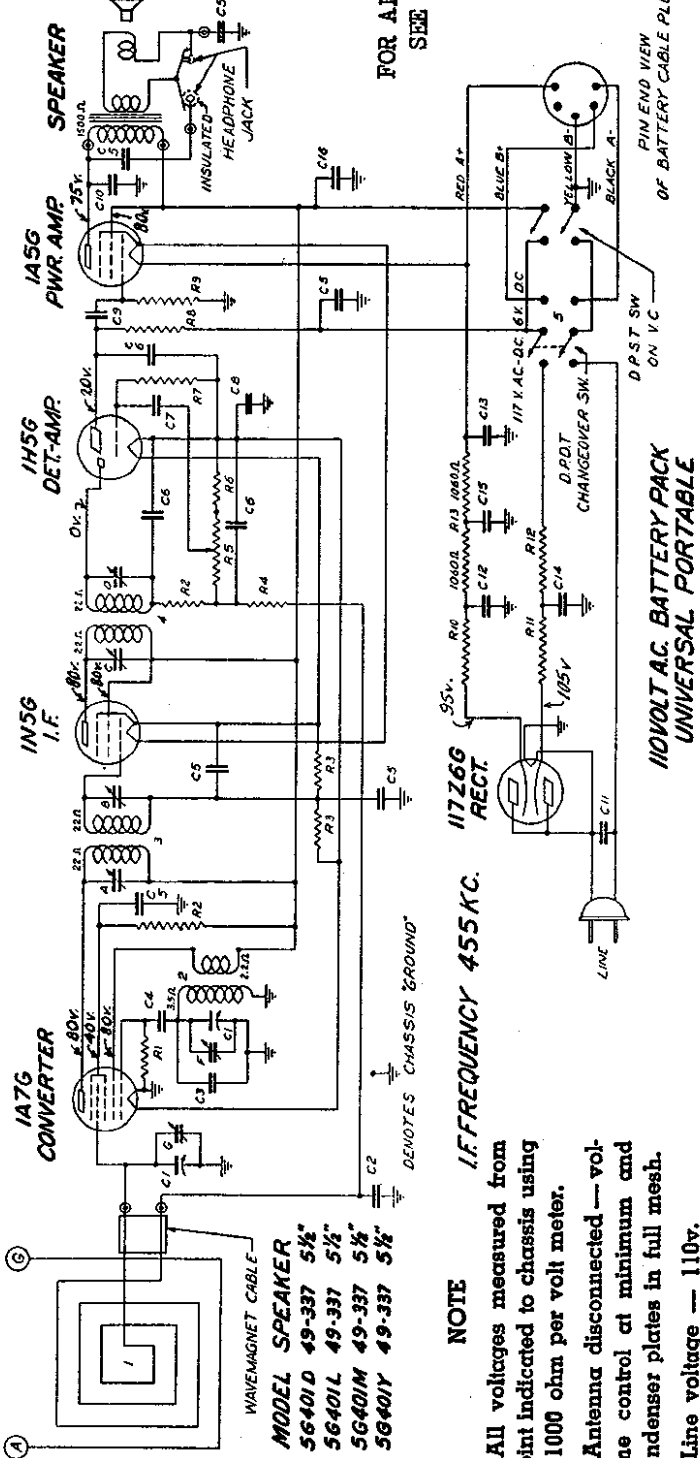
ZENITH RADIO CORP.

MODELS 4K402D, 4K402L, 4K402M
 Chassis 5419 4K402Y
 MODELS 5G401D, 5G401L, 5G401M
 Chassis 5537 5G401Y
 Schematics, Voltage



PART NO.	DESCRIPTION
R1	63-552 150 M OHM
R2	63-553 47 M OHM
R3	63-554 3.9 MEGOHM
R4	63-555 1000 OHM
R5	63-556 1000 OHM
R6	63-557 1000 OHM
R7	63-558 1000 OHM
R8	63-559 1000 OHM
R9	63-560 1000 OHM
R10	63-561 1000 OHM
C1	22-988 TWO GANG VARIABLE 200K
C2	22-989 100 MFD
C3	22-990 100 MFD
C4	22-991 100 MFD
C5	22-992 0.01 MFD
C6	22-993 0.01 MFD
C7	22-994 0.01 MFD
C8	22-995 0.01 MFD
C9	22-996 0.01 MFD
C10	22-997 0.01 MFD
1	57029 OSCILLATOR COIL ASSEMBLY
2	57030 I.F. TRANS. ASSEMBLY
3	57031 I.F. TRANS. ASSEMBLY
4	57032 I.F. TRANS. ASSEMBLY
A	1ST I.F. TRANS. PRI
B	1ST I.F. TRANS. SEC.
C	2ND I.F. TRANS. PRI
D	2ND I.F. TRANS. SEC.
E	BROADCAST OSC. (ON GANG)
F	ANTENNA BROADCAST (ON GANG)

© John F. Rider, Publisher



PART NO.	DESCRIPTION
C1	22-998 TWO GANG VARIABLE 200K
C2	22-999 100 MFD
C3	22-1000 100 MFD
C4	22-1001 100 MFD
C5	22-1002 0.01 MFD
C6	22-1003 0.01 MFD
C7	22-1004 0.01 MFD
C8	22-1005 0.01 MFD
C9	22-1006 0.01 MFD
C10	22-1007 0.01 MFD
C11	22-1008 0.01 MFD
C12	22-1009 0.01 MFD
C13	22-1010 0.01 MFD
C14	22-1011 0.01 MFD
C15	22-1012 0.01 MFD
C16	22-1013 0.01 MFD
R1	63-552 150 M OHM
R2	63-553 47 M OHM
R3	63-554 3.9 MEGOHM
R4	63-555 1000 OHM
R5	63-556 1000 OHM
R6	63-557 1000 OHM
R7	63-558 1000 OHM
R8	63-559 1000 OHM
R9	63-560 1000 OHM
R10	63-561 1000 OHM
R11	63-562 1000 OHM
R12	63-563 1000 OHM
R13	63-564 1000 OHM
1	57029 OSCILLATOR COIL ASSEMBLY
2	57030 I.F. TRANS. ASSEMBLY
3	57031 I.F. TRANS. ASSEMBLY
4	57032 I.F. TRANS. ASSEMBLY
5	95-190 POWER SWITCH
A	1ST I.F. TRANS. PRI
B	1ST I.F. TRANS. SEC.
C	2ND I.F. TRANS. PRI
D	2ND I.F. TRANS. SEC.
E	BROADCAST OSC. (ON GANG)
F	ANTENNA BROADCAST (ON GANG)

© John F. Rider, Publisher

FOR ALIGNMENT
SEE INDEX

I.F. FREQUENCY 455 KC.

NOTE
 All voltages measured from point indicated to chassis using a 1000 ohm per volt meter.
 Antenna disconnected -- volume control at minimum and condenser plates in full mesh.
 Line voltage -- 110v.

CHASSIS N-5537

110VOLT AC BATTERY PACK
UNIVERSAL PORTABLE

1/2 V. BATTERY PORTABLE

CHASSIS N-5419

I.F. FREQUENCY 455 KC.

CHASSIS N-5419

All measurements with 1000 ohms per volt meter -- loop antenna not connected -- volume at minimum -- All readings made with fresh Zenith (part No. Z-59) battery pack with speaker in circuit.
 All voltages measured from contact X on IC56 tube socket to point indicated.

All voltages measured from point indicated to chassis using a 1000 ohm per volt meter.
 Antenna disconnected -- volume control at minimum and condenser plates in full mesh.
 Line voltage -- 110v.

PIN END VIEW
OF BATTERY CABLE PLUG

D.P.S.T. SW
ON V.C.

117 K AC-DC 16X DC
CHANGEOVER SW

RECT.

110VOLT AC BATTERY PACK
UNIVERSAL PORTABLE

CHASSIS N-5537