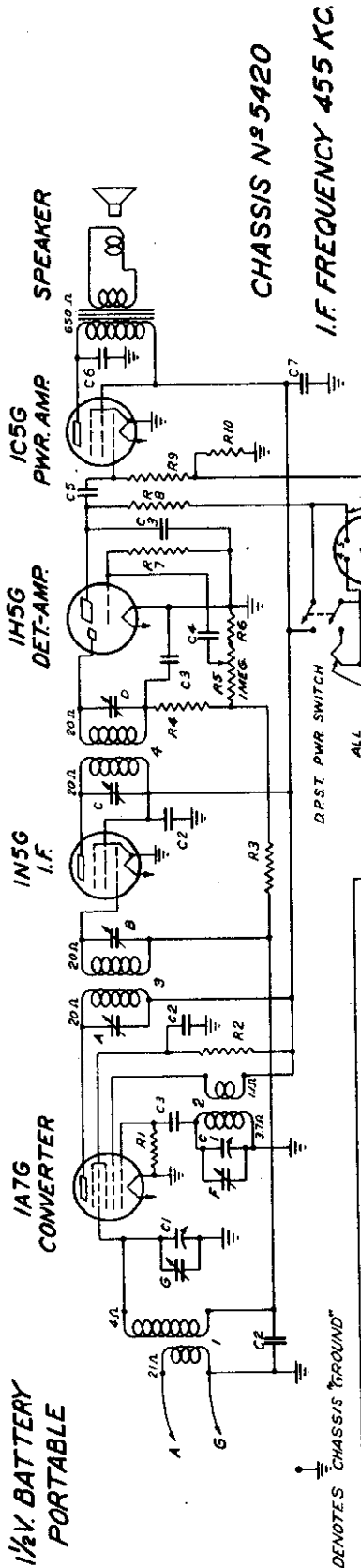


CHASSIS 5417
CHASSIS 5536
Alignment

ZENITH RADIO CORP.

MODELS 4K422, 4K435, 4K465
Chassis 5420 4K466
Schematic, Voltage, Socket
Alignment, Trimmers

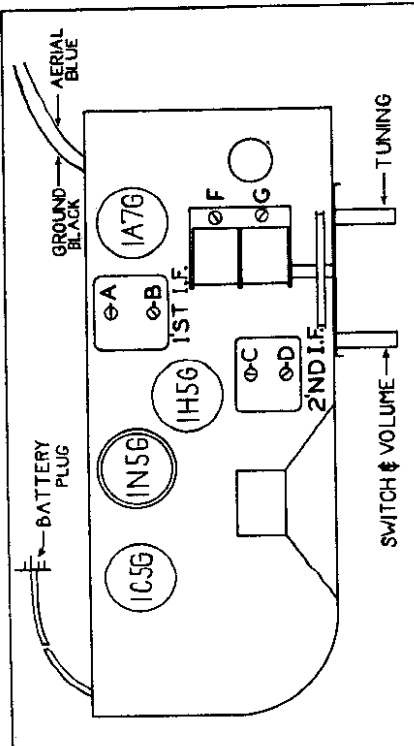


- MODEL SPEAKER
- 4K422 49-286 5"
 - 4K435 49-328 6 1/2"
 - 4K465 49-359 8"
 - 4K466 49-342 10"

DWG. PART NO.	DESCRIPTION	DWG. PART NO.	DESCRIPTION	DWG. PART NO.	DESCRIPTION
C1	22-695 200 OHMS VARIABLE	R4	163-593 47M OHM	4	95-590 2P I.F. TRANS. ASSEM.
C2	22-823 0.01 MFD.	R5	163-072 VOLUME CONTROL	A	1E1 I.F. TRANS. PRI
C3	22-162 0.001 MFD.	R6	163-267 4700 OHM	B	1E1 I.F. TRANS. SEC
C4	22-686 0.1 MFD.	R7	163-604 10 MEG OHM	C	2E1 I.F. TRANS. PRI
C5	22-243 0.1 MFD.	R8	163-270 220 OHM	D	2E1 I.F. TRANS. SEC
C6	22-448 0.04 MFD.	R9	163-939 1000 OHM	F	1DCAST. OSC. (ON GANG)
C7	22-684 0.1 MFD. ELECTROLYTIC	R10	163-539 1000 OHM	G	1ANT. BDCAST. (ON GANG)
R1	67-654 180M OHM				
R2	63-594 68M OHM				
R3	63-665 3.3 MEG OHM				
		1	20-208 ANTENNA COIL		
		2	57B15 OSCILLATOR COIL ASSEM.		
		3	95-589 1E1 I.F. TRANS. ASSEM.		

ALIGNMENT PROCEDURE
For Chassis 5417, 5420 and 5536

Operation	Connect Test Oscillator to	Dummy Antenna	Input Signal Frequency	Band	Set Dial At	Adjust Trimmers	Purpose
1	1A7 Grid	1/2 Mfd.	455 Kc.	Broadcast	600 Kc.	A, B, C, D	I. F. Alignment
2	Antenna	200 Mmf.	1500 Kc.	Broadcast	1500 Kc.	F	Set Oscillator to Scale
3	Antenna	200 Mmf.	1400 Kc.	Broadcast	1400 Kc.	G	Alignment of Scale



Location of Tubes and Trimmers

CONVERTER 1A7G

I.F. 1N5G

1H5G

1C5G

1ST I.F.

2ND I.F.

SWITCH & VOLUME

TUNING

GROUND BLACK

AERIAL BLUE

Socket Voltages FRONT OF CHASSIS