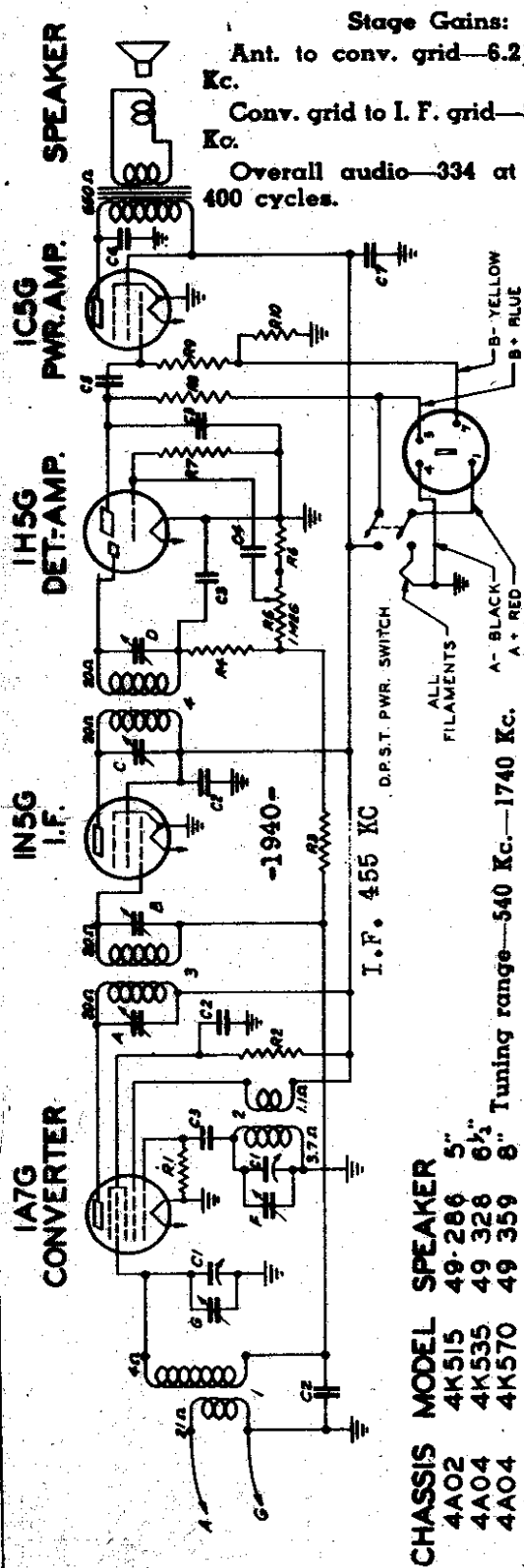


MODEL 4K515, Ch. 4A02
 MODELS 4K535, 4K570,
 Ch. 4A04

ZENITH RADIO CORP.

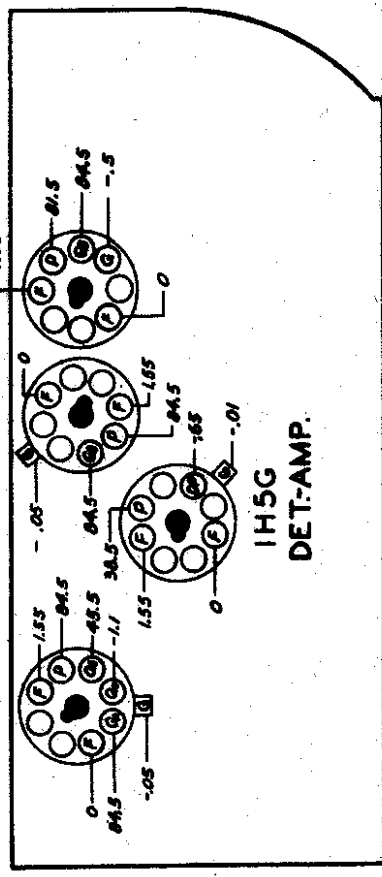


Stage Gains:
 Ant. to conv. grid—6.2X at 1000 Kc.
 Conv. grid to I. F. grid—56X at 455 Kc.
 Overall audio—334 at .050 watt, 400 cycles.

NOTE
 Chassis 4A02—attached speaker.
 Chassis 4A04—remote speaker.

All voltages measured with a 1000 ohm per volt meter from chassis to socket contacts using a fresh Z28 battery pack.

CONVERTER 1A7G
I.F. IN5G
PWR. AMP. IC5G
I.H5G DET-AMP.



CHASSIS MODEL SPEAKER

4A02	4K515	49-286	5"
4A04	4K535	49-328	6 1/2"
4A04	4K570	49-359	8"

DIAG. NO.	PART. NO.	DESCRIPTION	DIAG. NO.	PART. NO.	DESCRIPTION	
C1	22-925	2ND GANG VARIABLE	R4	63-593	47M OHM	
C2	22-925	.05 MFD.	R5	63-593	47M OHM	
C3	22-162	.0001 MFD.	R6	63-597	PERUNE CONTROL	
C4	22-925	.01 MFD.	R7	63-976	1K MEGOHM	
C5	22-263	.01 MFD.	R8	63-371	1 MEGOHM	
C6	22-448	.004 MFD.	R9	63-600	2.2 MEGOHM	
C7	22-684	8 MFD ELECTROLYTIC	R10	63-238	1000 OHM	
R1	63-654	180M OHM	R11	20-208	ANTENNA COIL	
R2	63-594	60M OHM	R12	9-7816	OSCILLATOR COIL ASSEMB.	
R3	63-689	3.3 MEGOHM	R13	95-589	1ET I.F. TRANS. ASSEMB.	
R4	63-593	47M OHM	R14	4	95-590	2ND I.F. TRANS. ASSEMB.
R5	63-593	47M OHM	R15	A	1ET I.F. TRANS. PRI.	
R6	63-597	PERUNE CONTROL	R16	B	1ET I.F. TRANS. SEC.	
R7	63-976	1K MEGOHM	R17	C	2ND I.F. TRANS. PRI.	
R8	63-371	1 MEGOHM	R18	D	2ND I.F. TRANS. SEC.	
R9	63-600	2.2 MEGOHM	R19	A	9-7816	OSC. COIL (ON GANG)
R10	63-238	1000 OHM	R20	G	ANT. SOCKET (ON GANG)	

I.F. ALIGNMENT CONVENTIONAL
 TRIM OSC(F) 1500 KC
 TRIM ANT(G) 1400 KC

