

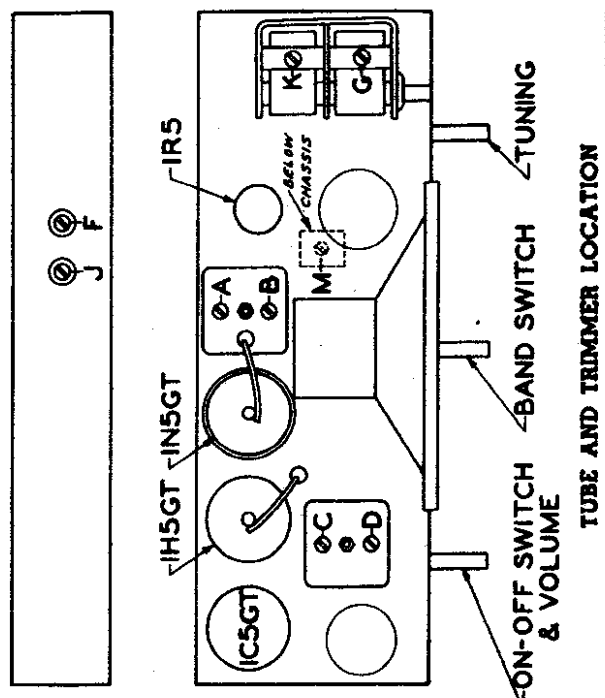
I.F. FREQUENCY 455 KC.
4 TUBE SUPERHETERODYNE
CHASSIS NO 4B05-1 1/2 V-2 BAND

FOR ALIGNMENT SEE INDEX

DENOTES CHASSIS GROUND

DWG. PART NO.	DESCRIPTION	DWG. PART NO.	DESCRIPTION	DWG. PART NO.	DESCRIPTION
C1	20-1000 TMO-BANG VARIABLE	R4	50-650 3.9 MEGOHM	A	1B I.F. TRANS. PRI.
C2	22-1000 .05 MFD.	R5	50-650 VOLUME CONTROL	B	1B I.F. " SEC.
C3	22-1000 .01 MFD.	R6	50-650 68 M OHM	C	20B I.F. PRI.
C4	22-1000 .005 MFD.	R7	50-650 1/5 MEGOHM	D	20B I.F. SEC.
C5	22-1000 .001 MFD.	R8	50-650 1/5 MEGOHM	F	BROADCAST OSC. (SEE NOTE)
C6	22-600 8MFD. ELECTROLYTIC	R9	50-650 1.2 MEGOHM	G	BROADCAST ANT. (5V BANG)
C7	22-600 .001 MFD.	R10	50-650 500 OHM	J	BROADCAST PAD. (SEE NOTE)
C8	22-440 .004 MFD.	1	S 9032 ANTENNA CUL. ASSEM.	K	SHORT WAVE OSC. (5V BANG)
C9	22-440 .01 MFD.	2	S 9029 OSCILLATOR	M	SHORT WAVE ANT.
C10	22-440 .01 MFD.	3	S 9029 12W I.F.		
C11	22-543 .01 MFD.	4	95-939 12W I.F.		
		5	95-279 BAND SELECTOR SW.		
		6	95-284 T.C. SW. ASSEM. (LEFT)		
		7	95-288 T.C. SW. ASSEM. (RIGHT)		
R1	63-260 100M OHM				
R2	63-587 4700 OHM				
R3	63-311 15M OHM				

Battery Z28
Volume control full on.
Power consumption 1.6 watts.
Power output .27 watts.
Stage Gains:
Tuning ranges-- 540 Kc.-1620 Kc.
--5600 Kc.-18200 Kc.
Ant. to conv. grid--6X at 1000 Kc.
Conv. grid to I. F. grid--48 X at 455 Kc.
Overall audio--340X at .050 watt, 400 cycles.



ZENITH RADIO CORP.

MODEL 4K640
 MODEL 5R680X
 MODEL 5G603
 MODELS 6G638, 6G660

Model 4K640 ALIGNMENT PROCEDURE Chassis No. 4B05

Operation	Conn. Test Osc. to	Dummy Ant.	Input Sig. Freq.	Band	Set Dial At	Trimmers	Purpose
1	Converter Grid	.5 Mfd.	455 Kc.	Broadcast	600 Kc.	A B C D	Align I. F.
2	Ant.—Gnd.	400 Ohms	18 Mc.	Short Wave	18 Mc.	K	Set Osc. to Scale
3	Ant.—Gnd.	200 Mmf.	1600 Kc.	Broadcast	1600 Kc.	F	Set Osc. to Scale
4	Ant.—Gnd.	200 Mmf.	1400 Kc.	Broadcast	1400 Kc.	G	Align Ant.
5	Ant.—Gnd.	200 Mmf.	600 Kc.	Broadcast	600 Kc.	J	Rock Gang & Adj. to Merc.
6	Ant.—Gnd.	400 Ohms	18 Mc.	Short Wave	18 Mc.	M	Rock Gang

Model 5G603

Operation	Connect Test Oscillator to	Dummy Antenna	Set Test Oscillator to	Band	Set Dial At	Adjust Trimmers	Purpose
1	Converter Grid	.5 mfd.	455	—	600	A B C D	I. F. Alignment
2	Single Turn Loop Coupled Loosely to Wave Magnet	—	1400	—	1400	F	Set Osc. to Scale
3		—	1400	—	1400	G	Alignment of Antenna

Gnd. of test osc. connected to No. 8 pin of ILA6 socket.

Model 5R680X

Operation	Connect Oscillator to	Dummy Antenna	Input Signal Frequency	Band	Set Dial At	Trimmers	Purpose
1	Converter Grid	.5 mfd.	455 Kc.	BC	1600 Kc.	A, B, C, D	Align I.F.
2	Ant. & Grnd with 10 ohm shunt	.5 mfd.	1600 Kc.	"	1600 Kc.	F	Set to Scale
3	"	.5 mfd.	1400 Kc.	"	1400 Kc.	H, G	Align Ant.

Models 6G638—6G660 Chassis No. 6B09

Operation	Conn. Test Osc. to	Dummy Ant.	Input Sig. Freq.	Band	Set Dial At	Trimmers	Purpose
1	Converter Grid	.1 Mfd.	455 Kc.	B.C.	600 Kc.	A B C D	Align I.F.
2	Ant. & Grnd with 10 ohm shunt	400 Ohm	18 Mc.	S.W.	18 Mc.	K	Set to Scale
3	"	"	16 Mc.	S.W.	16 Mc.	M	Align Ant.
4	"	"	5 Mc.	Police	5 Mc.	N	Set to Scale
5	"	"	"	"	"	Q	Align Ant.
6	"	200 mmf	1800 Kc.	B.C.	1800 Kc.	F	Set to Scale
7	"	"	1700 Kc.	"	1700 Kc.	G—H	Align R.F. & det.
8	"	"	600 Kc.	"	600 Kc.	J	Rock gang & Adj. padder
9	"	"	1800 Kc.	"	1800 Kc.	F—G—H	Repeat 6 & 7

John F. Rider