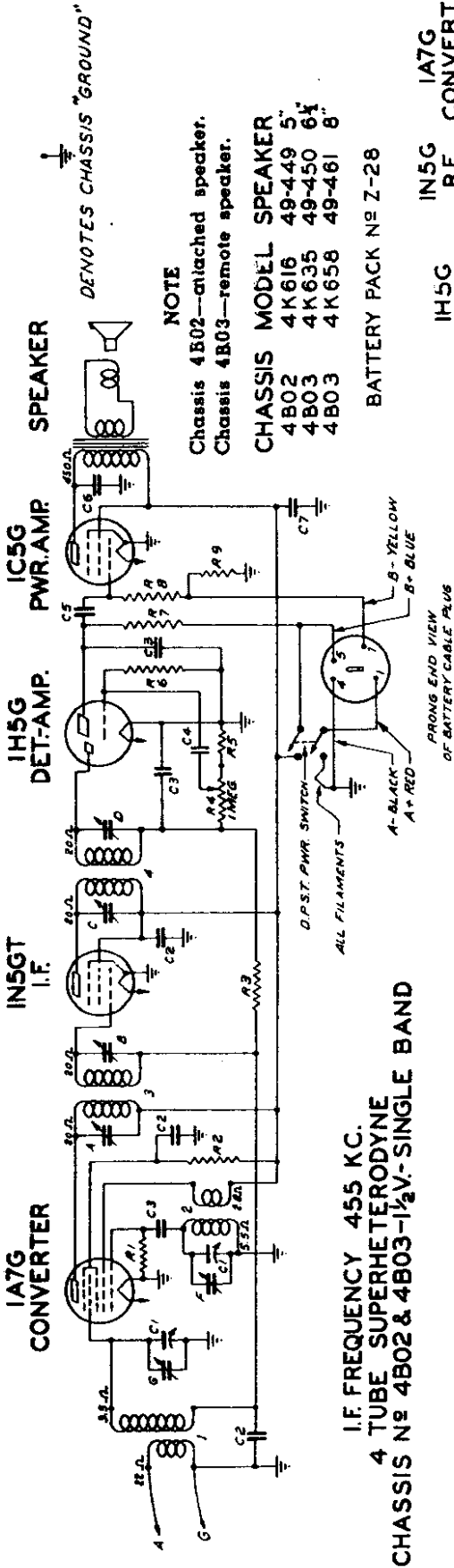


ZENITH RADIO CORP.

MODELS 4K616, 4K2616, Ch. 4B02;
4K635, 4K658, Ch. 4B03
MODEL 4B639



I.F. FREQUENCY 455 KC.
4 TUBE SUPERHETERODYNE
CHASSIS NO 4B02 & 4B03—1½V.—SINGLE BAND

CHASSIS NO	PART NO	DESCRIPTION	DIAS. NO	PART NO	DESCRIPTION	DIAS. NO	PART NO	DESCRIPTION
C1	22-209	TWO GANG VARIABLE—4B03	R4	63-1235	VOLUME CONTROL—4B03	A		121 I.F. TRANS PRI
C2	22-859	TWO GANG VARIABLE—4B02	R5	63-587	VOLUME CONTROL—4B02	B		121 I.F. TRANS SEC
C3	22-162	500 PFD	R6	63-976	1/2 MEG OHM	C		500 P.F.
C4	22-826	500 PFD	R7	63-271	1 MEG OHM	D		500 P.F.
C5	22-243	500 PFD	R8	63-600	1/2 MEG OHM	E		500 P.F.
C6	22-443	500 PFD	R9	63-634	250 OHM	F		500 P.F.
C7	22-664	8 MFD ELECTROLYTIC 150V				G		80-237 ANTENNA COIL
R1	63-654	100 M OHM						59554 OSC. COIL ASSEMBLY
R2	63-554	60 M OHM						95-814 1/2 I.F. TRANSFORMER
R3	63-669	5.3 MEG OHM						95-815 2ND I.F.

All voltages measured with a 1000 ohm per volt meter from chassis to socket contact indicated.
All voltages are positive D.C. unless marked otherwise.
Volume control on full.
Battery Z28
Power consumption—1.3 watts.
Power output—.28 watts.

Stage Gains
Bc. and I.F.
Ant. to conv. grid—5.7X at 1000 Kc.
Conv. grid to i.f. grid 69X at 455 Kc.
Overall audio 257X at .050 watt, 400 cycles.

Tuning Range—540 Kc.—1740 Kc.

CHASSIS 4B04 ALIGNMENT PROCEDURE CHASSIS 4B02, 4B03

Operation	Connect Test Oscillator to	Dummy Antenna	Input Signal Frequency	Band	Set Dial At	Adjust Trimmers	Purpose
1	Converter Grid	½ Mfd.	455 Kc.	Broadcast	800 Kc.	A, B, C, D	I. F. Alignment
2	Ant.-Gnd.	200 Mmf.	1500 Kc.	Broadcast	1500 Kc.	F	Set Oscillator to Scale
3	"	260 Mmf.	1400 Kc.	Broadcast	1400 Kc.	G	Alignment of Antenna

