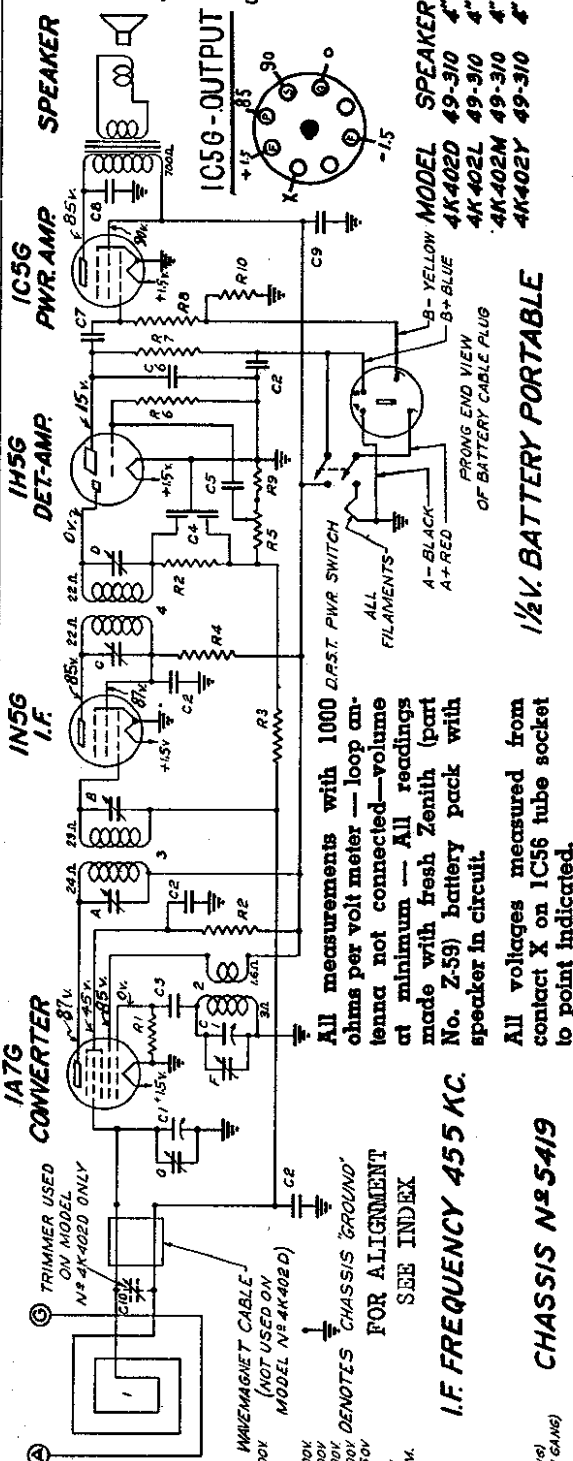


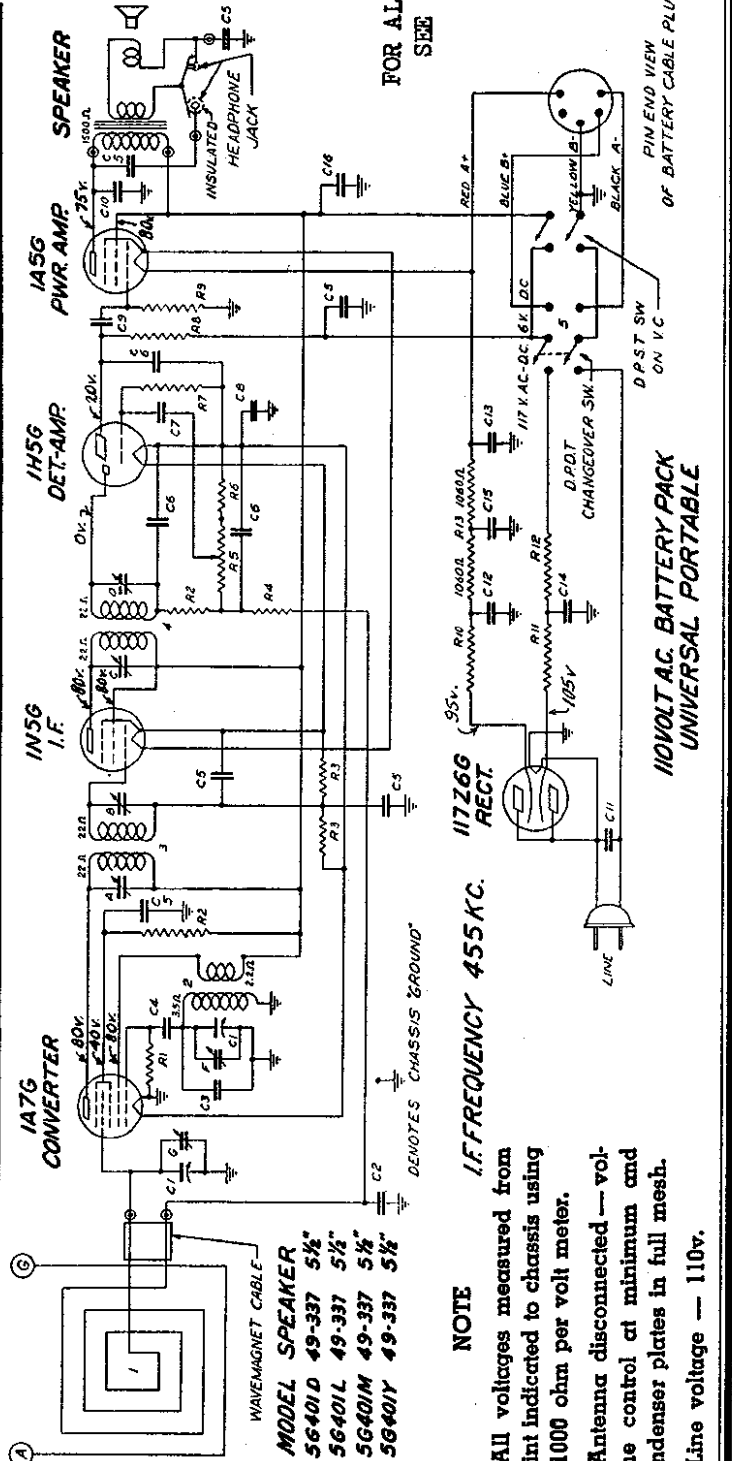
ZENITH RADIO CORP.

MODELS 4K402D, 4K402L, 4K402M  
 Chassis 5419 4K402Y  
 MODELS 5G401D, 5G401L, 5G401M  
 Chassis 5537 5G401Y  
 Schematics, Voltage



PART NO.	DESCRIPTION
R1	63-552 150 M OHM
R2	63-553 47 M OHM
R3	63-554 3.9 MEGOHM
R4	63-555 1000 OHM
R5	63-556 1000 OHM
R6	63-557 1000 OHM
R7	63-558 1000 OHM
R8	63-559 1000 OHM
R9	63-560 1000 OHM
R10	63-561 1000 OHM
C1	22-985 TWO-GANG VARIABLE 200K
C2	22-986 100 MFD
C3	22-987 100 MFD
C4	22-988 100 MFD
C5	22-989 0.01 MFD
C6	22-990 0.01 MFD
C7	22-991 0.01 MFD
C8	22-992 0.01 MFD
C9	22-993 0.01 MFD
C10	22-994 0.01 MFD
1	57029 OSCILLATOR COIL ASSEMBLY
2	57030 I.F. TRANS. ASSEMBLY
3	57031 I.F. TRANS. ASSEMBLY
4	57032 I.F. TRANS. ASSEMBLY
A	1ST I.F. TRANS. PRI
B	1ST I.F. TRANS. SEC.
C	2ND I.F. TRANS. PRI
D	2ND I.F. TRANS. SEC.
E	BROADCAST OSC. (ON GANG)
F	ANTENNA BROADCAST (ON GANG)

WAVEMAGNET CABLE (NOT USED ON MODEL N-5419)  
 TRIMMER USED ON MODEL N-5419 ONLY  
 DENOTES CHASSIS GROUND FOR ALIGNMENT  
 SEE INDEX  
 I.F. FREQUENCY 455 KC.  
 CHASSIS N-5419



PART NO.	DESCRIPTION
C1	22-900 TWO-GANG VARIABLE 200K
C2	22-901 100 MFD
C3	22-902 100 MFD
C4	22-903 100 MFD
C5	22-904 0.01 MFD
C6	22-905 0.01 MFD
C7	22-906 0.01 MFD
C8	22-907 0.01 MFD
C9	22-908 0.01 MFD
C10	22-909 0.01 MFD
C11	22-910 0.01 MFD
C12	22-911 0.01 MFD
C13	22-912 0.01 MFD
C14	22-913 0.01 MFD
C15	22-914 0.01 MFD
C16	22-915 0.01 MFD
R1	63-552 150 M OHM
R2	63-553 47 M OHM
R3	63-554 3.9 MEGOHM
R4	63-555 1000 OHM
R5	63-556 1000 OHM
R6	63-557 1000 OHM
R7	63-558 1000 OHM
R8	63-559 1000 OHM
R9	63-560 1000 OHM
R10	63-561 1000 OHM
R11	63-562 1000 OHM
R12	63-563 1000 OHM
R13	63-564 1000 OHM
1	57029 OSCILLATOR COIL ASSEMBLY
2	57030 I.F. TRANS. ASSEMBLY
3	57031 I.F. TRANS. ASSEMBLY
4	57032 I.F. TRANS. ASSEMBLY
5	95-190 POWER SWITCH
A	1ST I.F. TRANS. PRI
B	1ST I.F. TRANS. SEC.
C	2ND I.F. TRANS. PRI
D	2ND I.F. TRANS. SEC.
E	BROADCAST OSC. (ON GANG)
F	ANTENNA BROADCAST (ON GANG)

WAVEMAGNET CABLE  
 MODEL SPEAKER 56401D 49-337 5 1/2" 56401L 49-337 5 1/2" 56401M 49-337 5 1/2" 56401Y 49-337 5 1/2"  
 NOTE  
 All voltages measured from point indicated to chassis using a 1000 ohm per volt meter.  
 Antenna disconnected -- volume control at minimum and condenser plates in full mesh.  
 Line voltage -- 110v.  
 CHASSIS N-5537

FOR ALIGNMENT SEE INDEX

PIN END VIEW OF BATTERY CABLE PLUG

110VOLT AC. BATTERY PACK UNIVERSAL PORTABLE

LINE VOLTAGE -- 110V.