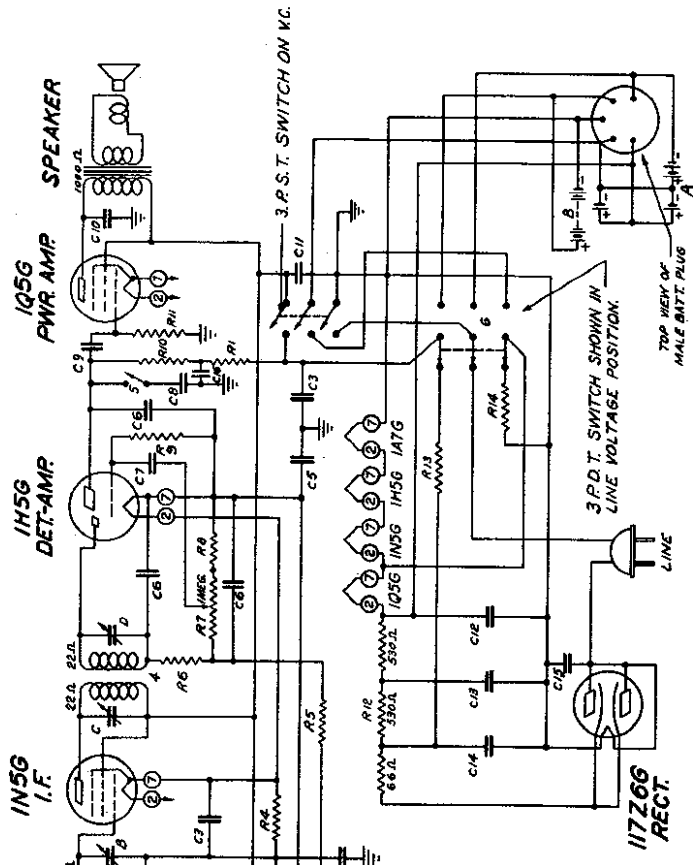


MODELS 5G438, 5G467
 Chassis 5536
 Schematic, Voltage, Socket
 Trimmers

ZENITH RADIO CORP.



NOTE

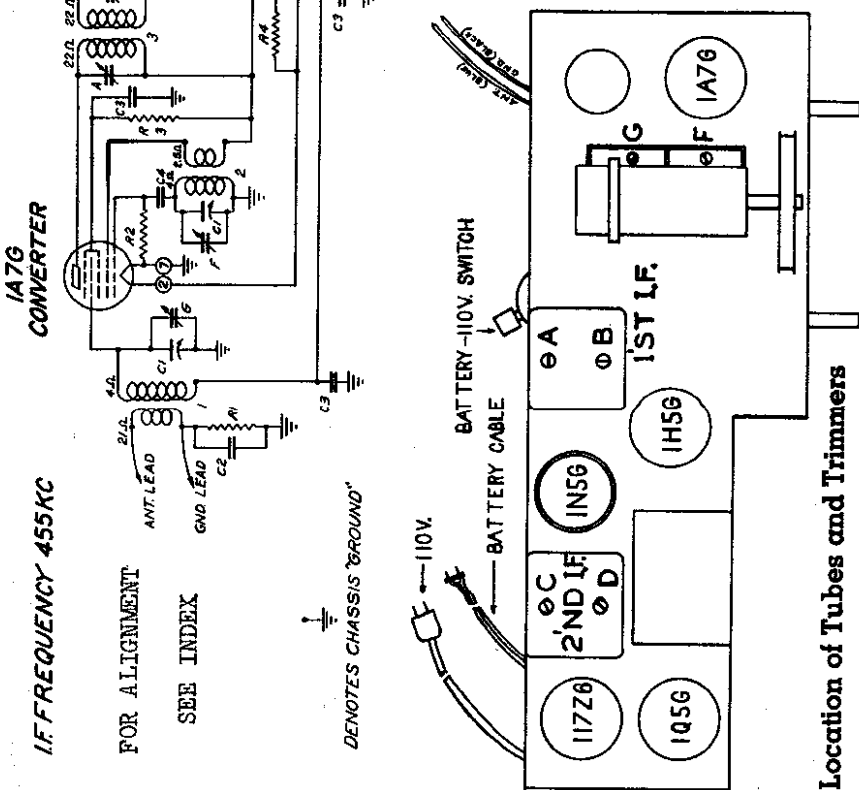
All voltages measured with a 1000 ohm per volt meter from chassis to socket contact indicated.

All voltages are positive D.C. unless marked otherwise. Volume control on full. Line voltage 112 v. A.C.

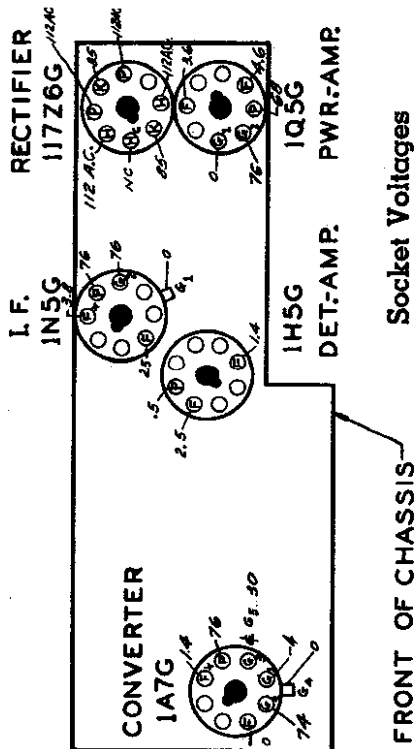
CHASSIS No 5536

5 TUBE SUPERHETERODYNE
 110V. A.C.-BATT. PACK-UNIVERSAL

MODEL SPEAKER
 5G-438 49-332 8"
 5G-467 49-333 10"



Location of Tubes and Trimmers



Socket Voltages

Q1	PART NO.	DESCRIPTION	Q2	PART NO.	DESCRIPTION	Q3	PART NO.	DESCRIPTION
C1	22-50	TWO GANG VARIABLE	R1	63-537	470 M OHM	1	50-500	ANTENNA COIL
C2	22-186	.01 MFD.	R2	63-552	120 M OHM	2	50-550	500 OHM RESISTOR ASSEMBLY
C3	22-989	.05 MFD.	R3	63-713	47 M OHM	3	95-573	1ST I.F. TRANS.
C4	22-182	.00025 MFD.	R4	63-296	220 M OHM	4	95-584	2ND I.F. TRANS.
C5	22-185	.001 MFD.	R5	63-669	33 MEGOHM	5	95-187	3RD I.F. TRANS.
C6	22-185	.001 MFD.	R6	63-297	33 MEGOHM	6	95-198	1000 OHM RESISTOR
C7	22-185	.001 MFD.	R7	63-297	33 MEGOHM	7		VOLUME CONTROL
C8	22-827	TONE CONTROL COND.	R8	63-523	1000 OHM	8		1ST I.F. TRANS. PRI.
C9	22-845	.01 MFD.	R9	63-504	10 MEGOHM	9		1ST I.F. TRANS. SEC.
C10	22-448	.004 MFD.	R10	63-871	7 MEGOHM	10		2ND I.F. TRANS. PRI.
C11	22-928	50 MFD. ELECTROLYTIC	R11	63-600	22 MEGOHM	11		2ND I.F. TRANS. SEC.
C12	22-873	.001 MFD.	R12	350L	350 OHM	12		BROADCAST OSC. (50 GANG)
C13	22-863	.05 MFD.	R13	100L	100 OHM	13		ANTENNA BOOST (50 GANG)
C14	22-873	.001 MFD.	R14	63-102	50 OHM WIREWOUND	14		
C15	22-188	.5 MFD.						
C16	22-188	.5 MFD.						