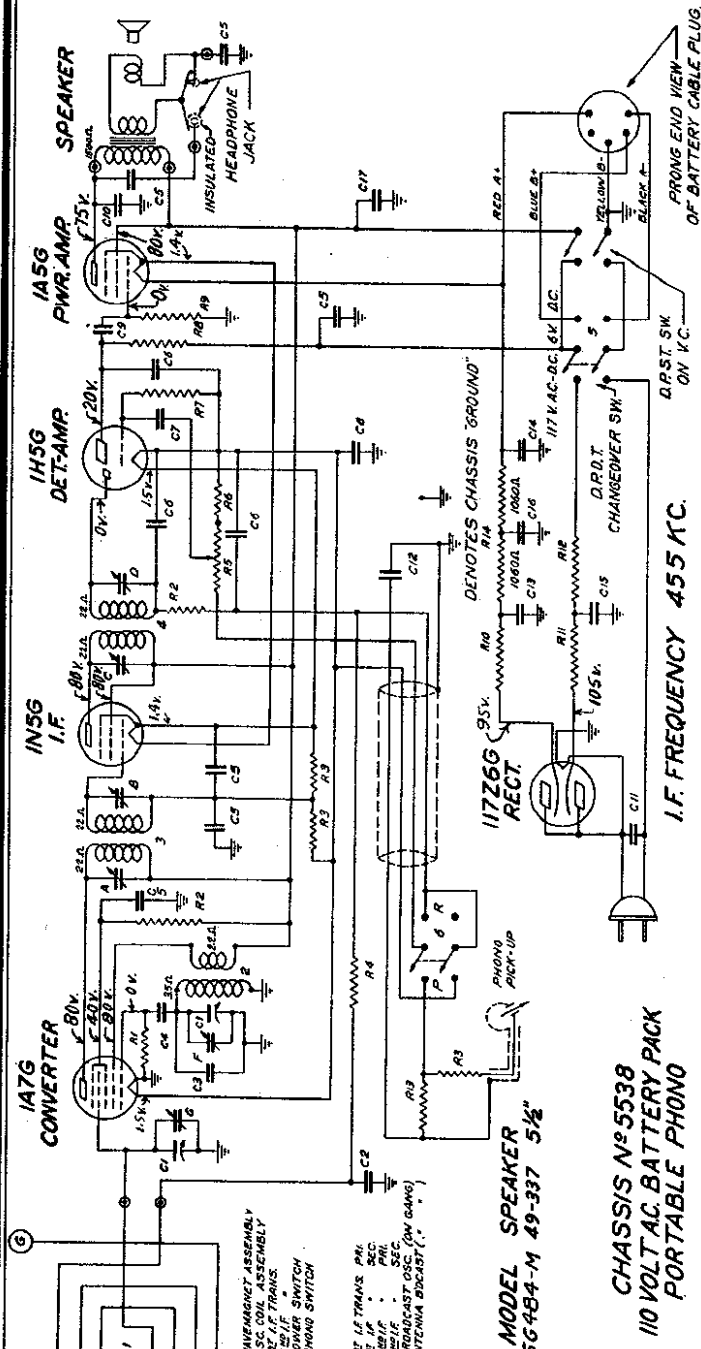


ZENITH RADIO CORP.

MODELS 5G484, 5G484-M
Chassis 5538
Schematic, Volt age
MODELS S7000 to S7003
Wireless Record Player
Schematic

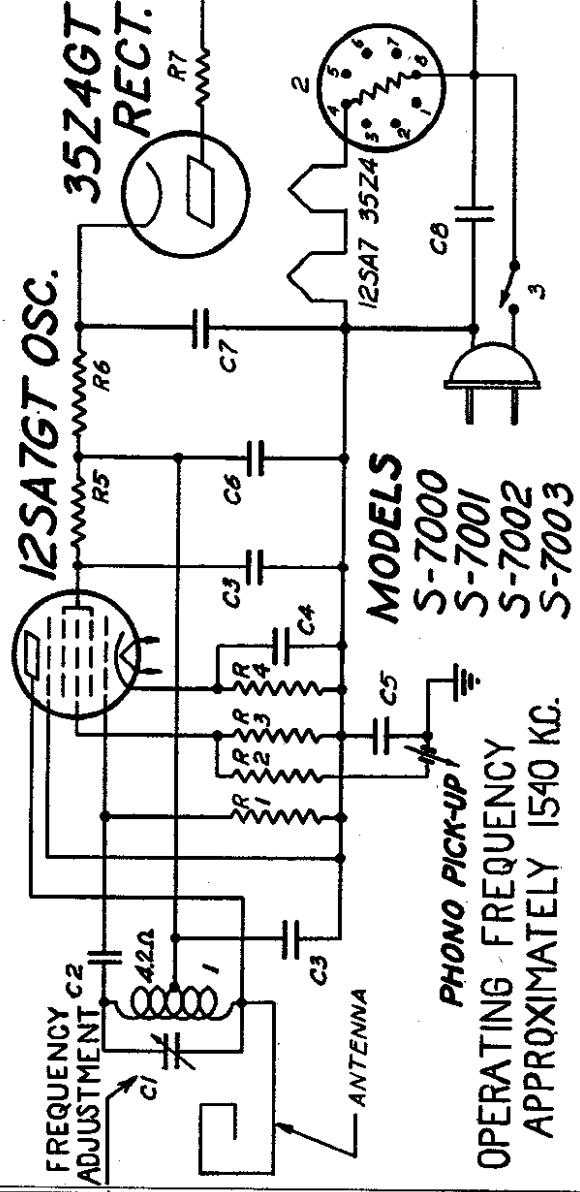


C1	22-690	600K	1/4 W.
C2	22-182	200K	1/4 W.
C3	22-243	200K	1/4 W.
C4	22-829	200K	1/4 W.
C5	22-827	200K	1/4 W.
C6	22-876	200K	1/4 W.
C7	22-670	200K	1/4 W.
C8	63-591	200K	1/4 W.
R1	63-591	200K	1/4 W.
R2	63-658	200K	1/4 W.
R3	63-260	200K	1/4 W.
R4	63-583	200K	1/4 W.
R5	63-964	200K	1/4 W.
R6	63-803	200K	1/4 W.
R7	63-575	200K	1/4 W.
1	S6054	OSC. COIL ASSEM	
2	100-76	BALLAST TUBE	
3	85-170	AC SWITCH	

PHONOGRAPH OSCILLATOR

C1	22-690	TUNING CONDENSER	600V.
C2	22-182	.00025 MFD.	400V.
C3	22-243	.01 MFD.	200V.
C4	22-829	.05 MFD.	200V.
C5	22-827	1 MFD.	150V.
C6	22-876	8 MFD. ELECTROLYTIC	150V.
C7	22-670	40 MFD.	150V.
C8	22-670	1 MFD.	400V.

FOR ALIGNMENT
SEE INDEX



12SA7GT OSC.
35Z4GT RECT.
12SA7 35Z4
MODEL S-7000
S-7001
S-7002
S-7003
PHONO PICK-UP
OPERATING FREQUENCY
APPROXIMATELY 1540 KC.

MODEL SPEAKER
5G484-M 49-337 5 1/2"
CHASSIS No 5538
110 VOLT AC. BATTERY PACK
PORTABLE PHONO

All voltages measured from point indicated to chassis using a 1000 ohm per volt meter.
Antenna disconnected — volume control at minimum and condenser plates in full mesh.
All voltages measured using Zenith No. Z859 battery pack.