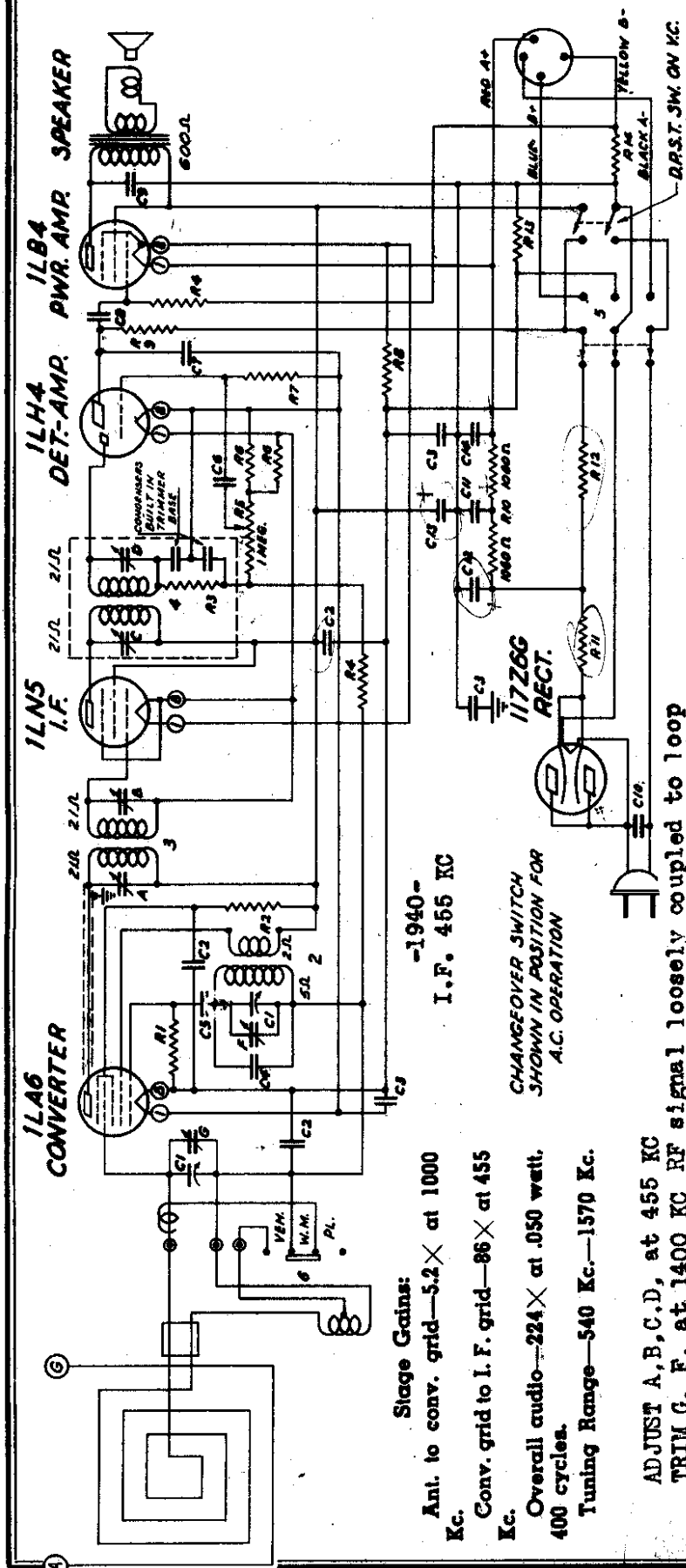


ZENITH RADIO CORP.

MODELS 59500, 59500L
Ch. 5401



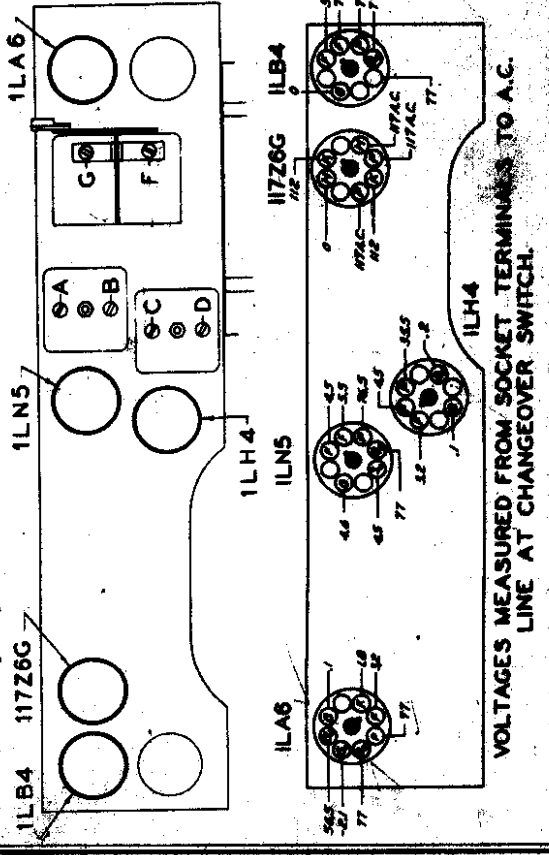
-1940-
I.F. 455 KC

Stage Gains:
Anti. to conv. grid— $5.2 \times$ at 1000 Kc.
Conv. grid to I.F. grid— $86 \times$ at 455 Kc.
Overall audio— $224 \times$ at .050 watt, 400 cycles.
Tuning Range—540 Kc.—1570 Kc.

ADJUST A, B, C, D, at 455 KC
TRIM G, F, at 1400 KC RF signal loosely coupled to loop

CHANGEOVER SWITCH SHOWN IN POSITION FOR A.C. OPERATION

COMP. NO.	PART NO.	DESCRIPTION	COMP. NO.	PART NO.	DESCRIPTION
C1	22-200	250 OHM VARIABLE	6A-771	100 M OHM	5 M
C2	22-200	250 OHM VARIABLE	6A-772	100 M OHM	5 M
C3	22-200	250 OHM VARIABLE	6A-773	100 M OHM	5 M
C4	22-200	250 OHM VARIABLE	6A-774	100 M OHM	5 M
C5	22-200	250 OHM VARIABLE	6A-775	100 M OHM	5 M
C6	22-200	250 OHM VARIABLE	6A-776	100 M OHM	5 M
C7	22-200	250 OHM VARIABLE	6A-777	100 M OHM	5 M
C8	22-200	250 OHM VARIABLE	6A-778	100 M OHM	5 M
C9	22-200	250 OHM VARIABLE	6A-779	100 M OHM	5 M
C10	22-200	250 OHM VARIABLE	6A-780	100 M OHM	5 M
R1	1000 OHM	1000 OHM	6A-781	100 M OHM	5 M
R2	250 OHM	250 OHM	6A-782	100 M OHM	5 M
R3	1000 OHM	1000 OHM	6A-783	100 M OHM	5 M
R4	1000 OHM	1000 OHM	6A-784	100 M OHM	5 M
R5	1000 OHM	1000 OHM	6A-785	100 M OHM	5 M
R6	1000 OHM	1000 OHM	6A-786	100 M OHM	5 M
R7	1000 OHM	1000 OHM	6A-787	100 M OHM	5 M
R8	1000 OHM	1000 OHM	6A-788	100 M OHM	5 M
R9	1000 OHM	1000 OHM	6A-789	100 M OHM	5 M
R10	1000 OHM	1000 OHM	6A-790	100 M OHM	5 M
R11	1000 OHM	1000 OHM	6A-791	100 M OHM	5 M
R12	1000 OHM	1000 OHM	6A-792	100 M OHM	5 M
R13	1000 OHM	1000 OHM	6A-793	100 M OHM	5 M
R14	1000 OHM	1000 OHM	6A-794	100 M OHM	5 M



All voltages measured from point indicated to Neg. B. using 20000 ohm per volt meter.

Line voltage—117 v. A.C.

Power consumption—117 v.—20 watts.

Power consumption, battery—1.02 watts.

MODEL 59500
49-306 5 1/2"

MODEL 59300L
49-306 5 1/2"

SPEAKER
49-306 5 1/2"