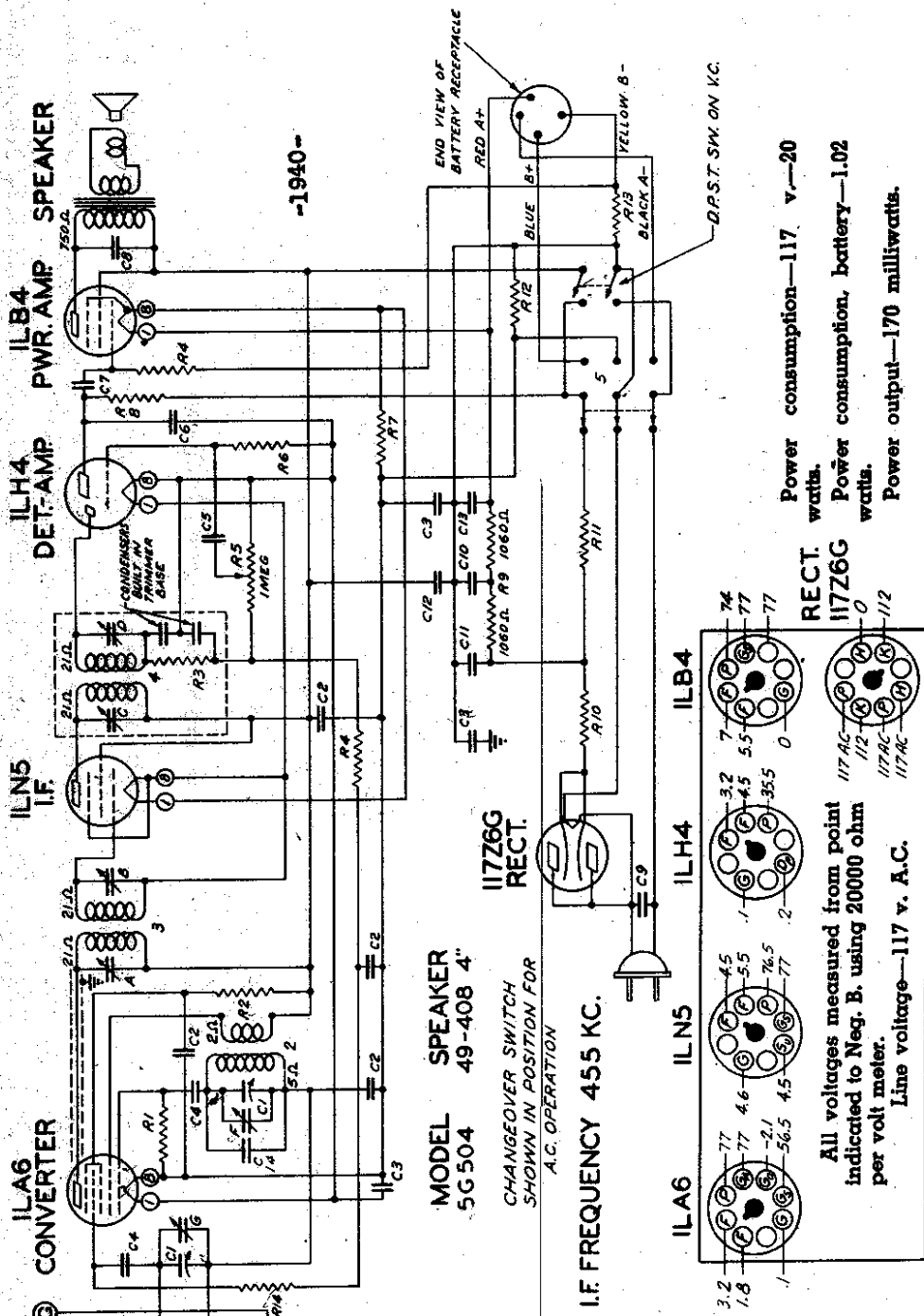


MODEL 5G504  
Ch. 5A03

ZENITH RADIO CORP.

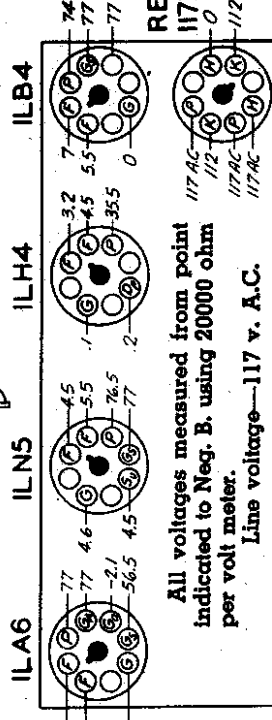


-1940-

MODEL 5G504  
SPEAKER  
49-408 4"

CHANGE-OVER SWITCH  
SHOWN IN POSITION FOR  
A.C. OPERATION

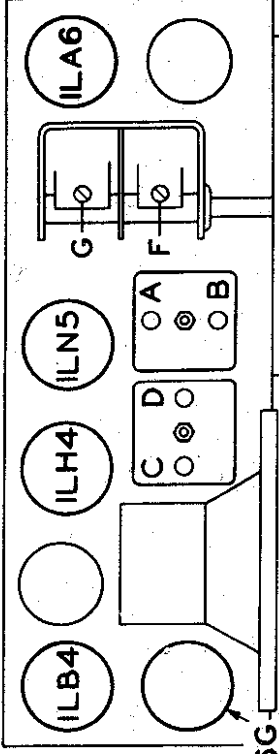
I.F. FREQUENCY 455 KC.



All voltages measured from point  
indicated to Neg. B. using 20000 ohm  
per volt meter.  
Line voltage—117 v. A.C.

Power consumption—117 v.—20  
watts.  
Power consumption, battery—1.02  
watts.  
Power output—170 milliwatts.

I.F. ALIGNMENT CONVENTIONAL.  
SEE SPECIAL SECTION VOL. VIII  
I.F. TRIMMERS A, B, C, D  
For R.F. Alignment  
Couple test oscillator  
thru single turn loop  
to Wavemagnet  
TRIM OSC. ANT (F, G) 1400 KC



Stage Gains:  
Ant. to conv. grid—4.9 × at 1000  
Kc.  
Conv. grid to I. F. grid—53 × at 455  
Kc.  
Overall audio—280 × at .050 watt,  
400 cycles.  
Tuning Range—540 Kc.—1600 Kc. 117Z6G-

PART NO.	DESCRIPTION
C1	22-1062 TWO GANG VARIABLE 200 K
C2	22-827 .05 MFD. 500 V
C3	22-827 .1 MFD. 500 V
C4	22-142 .001 MFD. 500 V
C5	22-142 .001 MFD. 500 V
C6	22-142 .001 MFD. 500 V
C7	22-142 .001 MFD. 500 V
C8	22-325 .05 MFD. 400 V
C9	22-829 .05 MFD. 400 V
C10	22-1084 .50 MFD. ELECTROLYTIC 150 V
C11	22-1084 .50 MFD. ELECTROLYTIC 150 V
C12	22-1027 .20 MFD. 25 V
C13	22-1027 .20 MFD. 25 V
C14	22-288 10 MFD. 600 K
R1	63-773 180 M OHM 1/4 W
R2	63-646 33 M OHM 1/4 W
R3	63-773 47 M OHM 1/4 W
R4	63-600 2.2 MEG OHM 1/4 W
R5	63-126 VOLUME CONTROL 1/4 W
R6	63-976 15 MEG OHM 1/4 W
R7	63-1097 870 OHM WIREWOUND 1/4 W
R8	63-271 1 MEG OHM 1/4 W
R9	63-1187 1/2-SECTION CANDIDUM 2 M
R10	63-1096 140 OHM WIREWOUND 1/4 W
R11	63-439 2700 OHM 1/4 W
R12	63-295 95 OHM WIREWOUND 1/4 W
R13	63-295 95 OHM WIREWOUND 1/4 W
R14	63-296 120 OHM 1/4 W
S1	58742 WAVEMAGNET ASSEMBLY
S2	58730 OSC. COIL ASSEMBLY
S3	95-720 1/2 I.F. TRANSFORMER
S4	95-721 2/2 I.F. TRANSFORMER
S5	85-242 CHANGE-OVER SWITCH
A	1E1 I.F. TRANS. PRI.
B	1E1 I.F. TRANS. SEC.
C	2E1 I.F. TRANS. PRI.
D	2E1 I.F. TRANS. SEC.
F	BROADCAST OSC. (50 GANG)
G	BROADCAST ANT. (50 GANG)