

ZENITH RADIO CORP.

MODEL 4K640
 MODEL 5R680X
 MODEL 5G603
 MODELS 6G638, 6G660

Model 4K640 ALIGNMENT PROCEDURE Chassis No. 4B05

Operation	Conn. Test Osc. to	Dummy Ant.	Input Sig. Freq.	Band	Set Dial At	Trimmers	Purpose
1	Converter Grid	.5 Mfd.	455 Kc.	Broadcast	600 Kc.	A B C D	Align I. F.
2	Ant.—Gnd.	400 Ohms	18 Mc.	Short Wave	18 Mc.	K	Set Osc. to Scale
3	Ant.—Gnd.	200 Mmf.	1600 Kc.	Broadcast	1600 Kc.	F	Set Osc. to Scale
4	Ant.—Gnd.	200 Mmf.	1400 Kc.	Broadcast	1400 Kc.	G	Align Ant.
5	Ant.—Gnd.	200 Mmf.	600 Kc.	Broadcast	600 Kc.	J	Rock Gang & Adj. to Merc.
6	Ant.—Gnd.	400 Ohms	18 Mc.	Short Wave	18 Mc.	M	Rock Gang

Model 5G603

Operation	Connect Test Oscillator to	Dummy Antenna	Set Test Oscillator to	Band	Set Dial At	Adjust Trimmers	Purpose
1	Converter Grid	.5 mf.	455	—	600	A B C D	I. F. Alignment
2	Single Turn Loop Coupled Loosely to Wave Magnet	—	1400	—	1400	F	Set Osc. to Scale
3	Wave Magnet	—	1400	—	1400	G	Alignment of Antenna

Gnd. of test osc. connected to No. 8 pin of ILA6 socket.

Model 5R680X

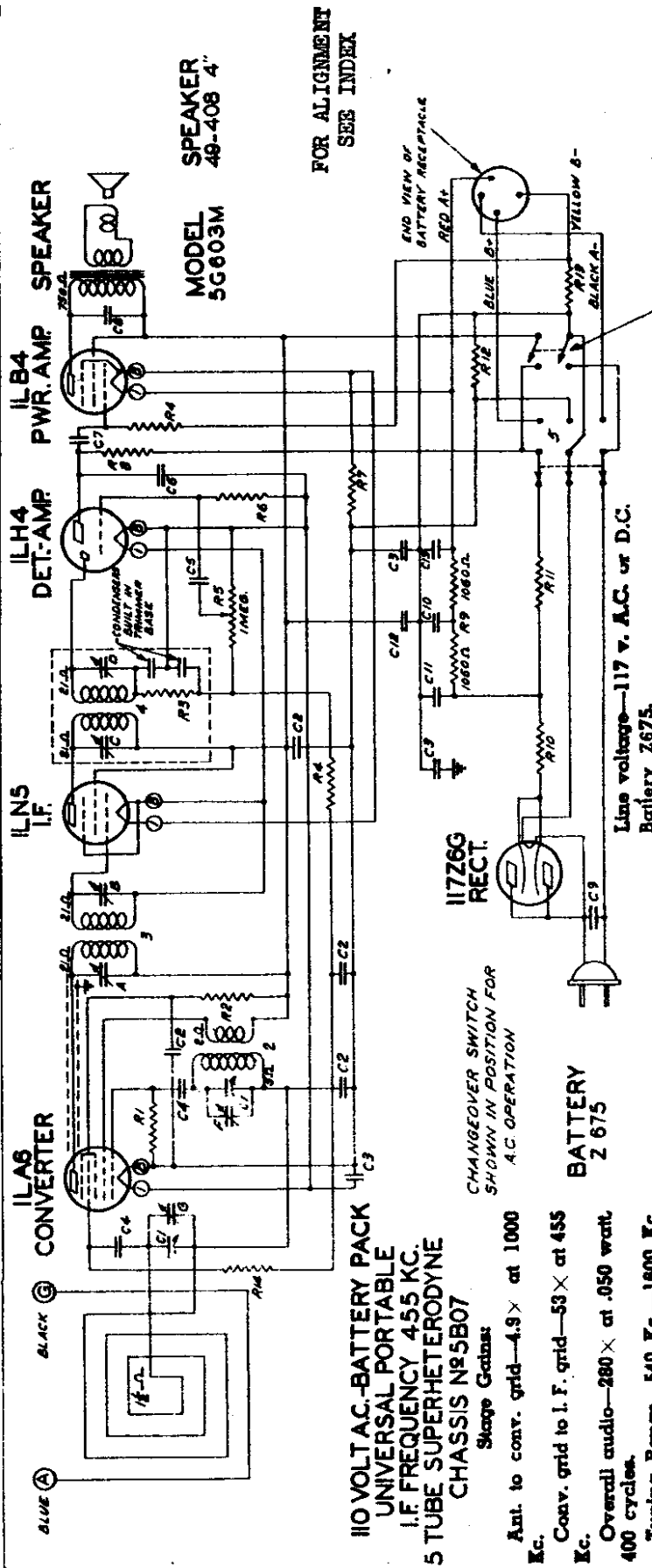
Operation	Connect Oscillator to	Dummy Antenna	Input Signal Frequency	Band	Set Dial At	Trimmers	Purpose
1	Converter Grid	.5 mfd.	455 Kc.	BC	1600 Kc.	A, B, C, D	Align I.F.
2	Ant. & Grnd with 10 ohm shunt	.5 mfd.	1600 Kc.	"	1600 Kc.	F	Set to Scale
3	"	.5 mfd.	1400 Kc.	"	1400 Kc.	H, G	Align Ant.

Models 6G638—6G660 Chassis No. 6B09

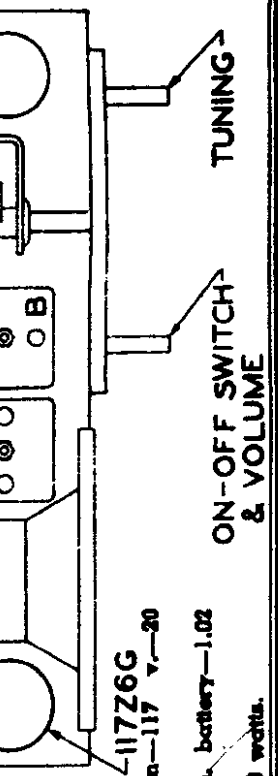
Operation	Conn. Test Osc. to	Dummy Ant.	Input Sig. Freq.	Band	Set Dial At	Trimmers	Purpose
1	Converter Grid	.1 Mfd.	455 Kc.	B.C.	600 Kc.	A B C D	Align I.F.
2	Ant. & Grnd with 10 ohm shunt	400 Ohm	18 Mc.	S.W.	18 Mc.	K	Set to Scale
3	"	"	16 Mc.	S.W.	16 Mc.	M	Align Ant.
4	"	"	5 Mc.	Police	5 Mc.	N	Set to Scale
5	"	"	"	"	"	Q	Align Ant.
6	"	200 mmf	1800 Kc.	B.C.	1800 Kc.	F	Set to Scale
7	"	"	1700 Kc.	"	1700 Kc.	G—H	Align R.F. & det.
8	"	"	600 Kc.	"	600 Kc.	J	Rock gang & Adj. padder
9	"	"	1800 Kc.	"	1800 Kc.	F—G—H	Repeat 6 & 7

John F. Rider

ZENITH RADIO CORP.



PART NO.	DESCRIPTION	QTY	PART NO.	DESCRIPTION	QTY	PART NO.	DESCRIPTION	QTY
C1	50 MFD. 250 V. ELECTROLYTIC	1	117Z6G	RECT.	1	117Z6G	RECT.	1
C2	50 MFD. 250 V. ELECTROLYTIC	1	117Z6G	RECT.	1	117Z6G	RECT.	1
C3	50 MFD. 250 V. ELECTROLYTIC	1	117Z6G	RECT.	1	117Z6G	RECT.	1
C4	50 MFD. 250 V. ELECTROLYTIC	1	117Z6G	RECT.	1	117Z6G	RECT.	1
C5	50 MFD. 250 V. ELECTROLYTIC	1	117Z6G	RECT.	1	117Z6G	RECT.	1
C6	50 MFD. 250 V. ELECTROLYTIC	1	117Z6G	RECT.	1	117Z6G	RECT.	1
C7	50 MFD. 250 V. ELECTROLYTIC	1	117Z6G	RECT.	1	117Z6G	RECT.	1
C8	50 MFD. 250 V. ELECTROLYTIC	1	117Z6G	RECT.	1	117Z6G	RECT.	1
C9	50 MFD. 250 V. ELECTROLYTIC	1	117Z6G	RECT.	1	117Z6G	RECT.	1
C10	50 MFD. 250 V. ELECTROLYTIC	1	117Z6G	RECT.	1	117Z6G	RECT.	1
C11	50 MFD. 250 V. ELECTROLYTIC	1	117Z6G	RECT.	1	117Z6G	RECT.	1
C12	50 MFD. 250 V. ELECTROLYTIC	1	117Z6G	RECT.	1	117Z6G	RECT.	1
C13	50 MFD. 250 V. ELECTROLYTIC	1	117Z6G	RECT.	1	117Z6G	RECT.	1



110 VOLT A.C.-BATTERY PACK
UNIVERSAL PORTABLE
I.F. FREQUENCY 455 KC.
5 TUBE SUPERHETERODYNE
CHASSIS N85B07
Stage Grids

Ant. to conv. grid—4.9 X at 1000 Kc.
Conv. grid to I. F. grid—5.3 X at 455 Kc.
Overall audio—280 X at .050 watt
400 cycles.
Tuning Range—540 Kc.—1600 Kc.