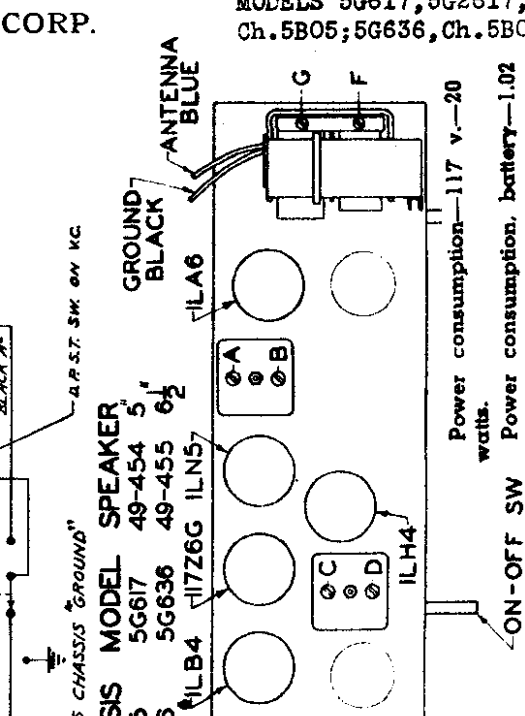
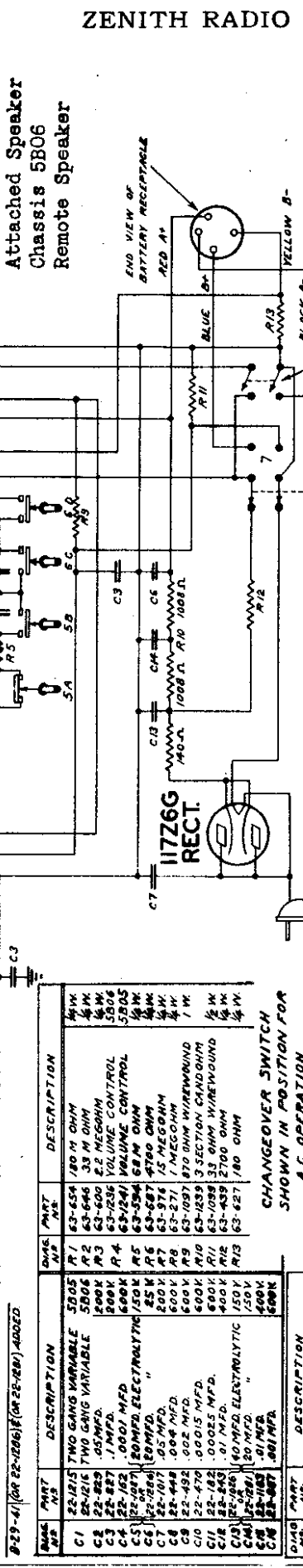
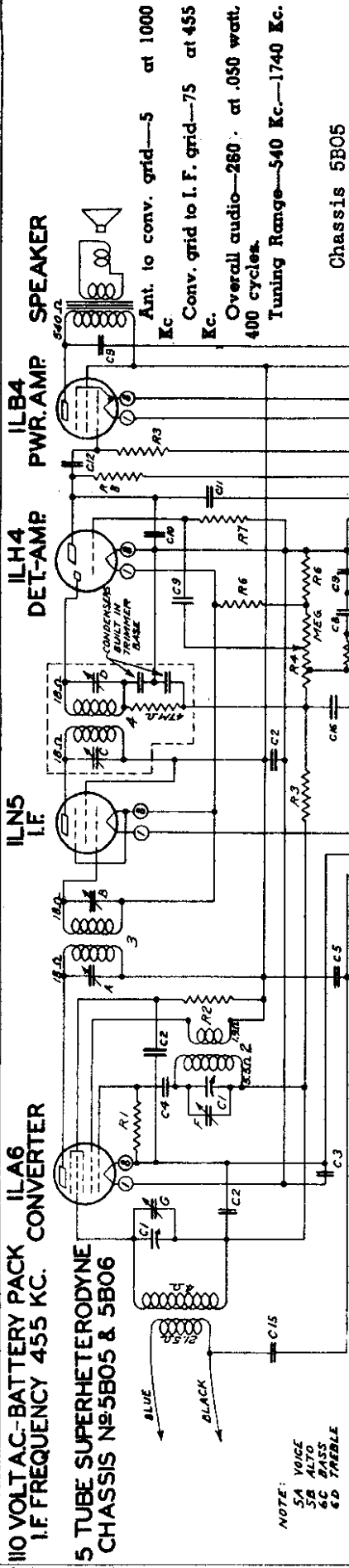


ZENITH RADIO CORP.

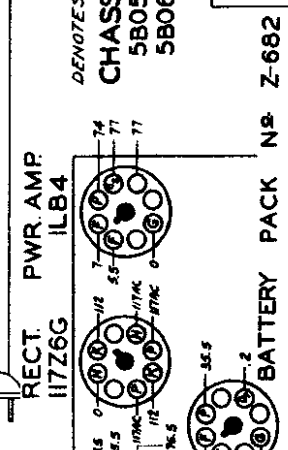
MODELS 5G617, 5G2617,  
Ch. 5B05; 5G636, Ch. 5B06



Power consumption—117 v.—20 watts.  
Power consumption, battery—1.02 watts.  
ON-OFF SW & VOLUME

CHANGE-OVER SWITCH FOR A.C. OPERATION SHOWN IN POSITION FOR

DIAL NO.	PART NO.	DESCRIPTION
1	63-654	180 M OHM
2	63-646	33 M OHM
3	63-600	2.2 MEG OHM
4	63-1236	VOLUME CONTROL
5	63-1241	VOLUME CONTROL
6	63-3544	6.8 M OHM
7	63-687	4700 OHM
8	63-974	1/2 MEG OHM
9	63-271	1 MEG OHM
10	63-1027	810 OHM WIREWOUND
11	63-1239	3 SECTOR CHAD OHM
12	63-438	2700 OHM
13	63-627	180 OHM



DIAL NO.	PART NO.	DESCRIPTION
1	22-1215	TWO GANG VARIABLE 5B05
2	22-1216	TWO GANG VARIABLE 5B06
3	22-889	.05 MFD.
4	22-887	.1 MFD.
5	22-182	.0001 MFD.
6	22-284	20MFD. ELECTROLYTIC 150V
7	22-1071	.05 MFD.
8	22-448	.004 MFD.
9	22-451	.002 MFD.
10	22-143	.0005 MFD.
11	22-142	.01 MFD.
12	22-144	.01 MFD.
13	22-145	.01 MFD.
14	22-146	.01 MFD.
15	22-147	.01 MFD.
16	22-148	.01 MFD.
17	22-149	.01 MFD.
18	22-150	.01 MFD.
19	22-151	.01 MFD.
20	22-152	.01 MFD.
21	22-153	.01 MFD.
22	22-154	.01 MFD.
23	22-155	.01 MFD.
24	22-156	.01 MFD.
25	22-157	.01 MFD.
26	22-158	.01 MFD.
27	22-159	.01 MFD.
28	22-160	.01 MFD.
29	22-161	.01 MFD.
30	22-162	.01 MFD.
31	22-163	.01 MFD.
32	22-164	.01 MFD.
33	22-165	.01 MFD.
34	22-166	.01 MFD.
35	22-167	.01 MFD.
36	22-168	.01 MFD.
37	22-169	.01 MFD.
38	22-170	.01 MFD.
39	22-171	.01 MFD.
40	22-172	.01 MFD.
41	22-173	.01 MFD.
42	22-174	.01 MFD.
43	22-175	.01 MFD.
44	22-176	.01 MFD.
45	22-177	.01 MFD.
46	22-178	.01 MFD.
47	22-179	.01 MFD.
48	22-180	.01 MFD.
49	22-181	.01 MFD.
50	22-182	.01 MFD.
51	22-183	.01 MFD.
52	22-184	.01 MFD.
53	22-185	.01 MFD.
54	22-186	.01 MFD.
55	22-187	.01 MFD.
56	22-188	.01 MFD.
57	22-189	.01 MFD.
58	22-190	.01 MFD.
59	22-191	.01 MFD.
60	22-192	.01 MFD.
61	22-193	.01 MFD.
62	22-194	.01 MFD.
63	22-195	.01 MFD.
64	22-196	.01 MFD.
65	22-197	.01 MFD.
66	22-198	.01 MFD.
67	22-199	.01 MFD.
68	22-200	.01 MFD.
69	22-201	.01 MFD.
70	22-202	.01 MFD.
71	22-203	.01 MFD.
72	22-204	.01 MFD.
73	22-205	.01 MFD.
74	22-206	.01 MFD.
75	22-207	.01 MFD.
76	22-208	.01 MFD.
77	22-209	.01 MFD.
78	22-210	.01 MFD.
79	22-211	.01 MFD.
80	22-212	.01 MFD.
81	22-213	.01 MFD.
82	22-214	.01 MFD.
83	22-215	.01 MFD.
84	22-216	.01 MFD.
85	22-217	.01 MFD.
86	22-218	.01 MFD.
87	22-219	.01 MFD.
88	22-220	.01 MFD.
89	22-221	.01 MFD.
90	22-222	.01 MFD.
91	22-223	.01 MFD.
92	22-224	.01 MFD.
93	22-225	.01 MFD.
94	22-226	.01 MFD.
95	22-227	.01 MFD.
96	22-228	.01 MFD.
97	22-229	.01 MFD.
98	22-230	.01 MFD.
99	22-231	.01 MFD.
100	22-232	.01 MFD.
101	22-233	.01 MFD.
102	22-234	.01 MFD.
103	22-235	.01 MFD.
104	22-236	.01 MFD.
105	22-237	.01 MFD.
106	22-238	.01 MFD.
107	22-239	.01 MFD.
108	22-240	.01 MFD.
109	22-241	.01 MFD.
110	22-242	.01 MFD.
111	22-243	.01 MFD.
112	22-244	.01 MFD.
113	22-245	.01 MFD.
114	22-246	.01 MFD.
115	22-247	.01 MFD.
116	22-248	.01 MFD.
117	22-249	.01 MFD.
118	22-250	.01 MFD.
119	22-251	.01 MFD.
120	22-252	.01 MFD.
121	22-253	.01 MFD.
122	22-254	.01 MFD.
123	22-255	.01 MFD.
124	22-256	.01 MFD.
125	22-257	.01 MFD.
126	22-258	.01 MFD.
127	22-259	.01 MFD.
128	22-260	.01 MFD.
129	22-261	.01 MFD.
130	22-262	.01 MFD.
131	22-263	.01 MFD.
132	22-264	.01 MFD.
133	22-265	.01 MFD.
134	22-266	.01 MFD.
135	22-267	.01 MFD.
136	22-268	.01 MFD.
137	22-269	.01 MFD.
138	22-270	.01 MFD.
139	22-271	.01 MFD.
140	22-272	.01 MFD.
141	22-273	.01 MFD.
142	22-274	.01 MFD.
143	22-275	.01 MFD.
144	22-276	.01 MFD.
145	22-277	.01 MFD.
146	22-278	.01 MFD.
147	22-279	.01 MFD.
148	22-280	.01 MFD.
149	22-281	.01 MFD.
150	22-282	.01 MFD.
151	22-283	.01 MFD.
152	22-284	.01 MFD.
153	22-285	.01 MFD.
154	22-286	.01 MFD.
155	22-287	.01 MFD.
156	22-288	.01 MFD.
157	22-289	.01 MFD.
158	22-290	.01 MFD.
159	22-291	.01 MFD.
160	22-292	.01 MFD.
161	22-293	.01 MFD.
162	22-294	.01 MFD.
163	22-295	.01 MFD.
164	22-296	.01 MFD.
165	22-297	.01 MFD.
166	22-298	.01 MFD.
167	22-299	.01 MFD.
168	22-300	.01 MFD.

OPERATION	CONNECT TEST OSCILLATOR TO	DUMMY ANTENNA	SET TEST OSCILLATOR TO	BEAD	SET DIAL A1	ADJUST THUMBSCREW	PURPOSE
1	Converter Grid	.5 mmid.	455	—	600	A B C D	I. F. Alignment
2	Ant.—Grid.	200 mmid.	1400	—	1400	F	Set Osc. to Scale
3	"	200 mmid.	1400	—	1400	G	Alignment of Antenna

\*Grid. of test osc. connected to No. 8 pin of ILA6 socket.