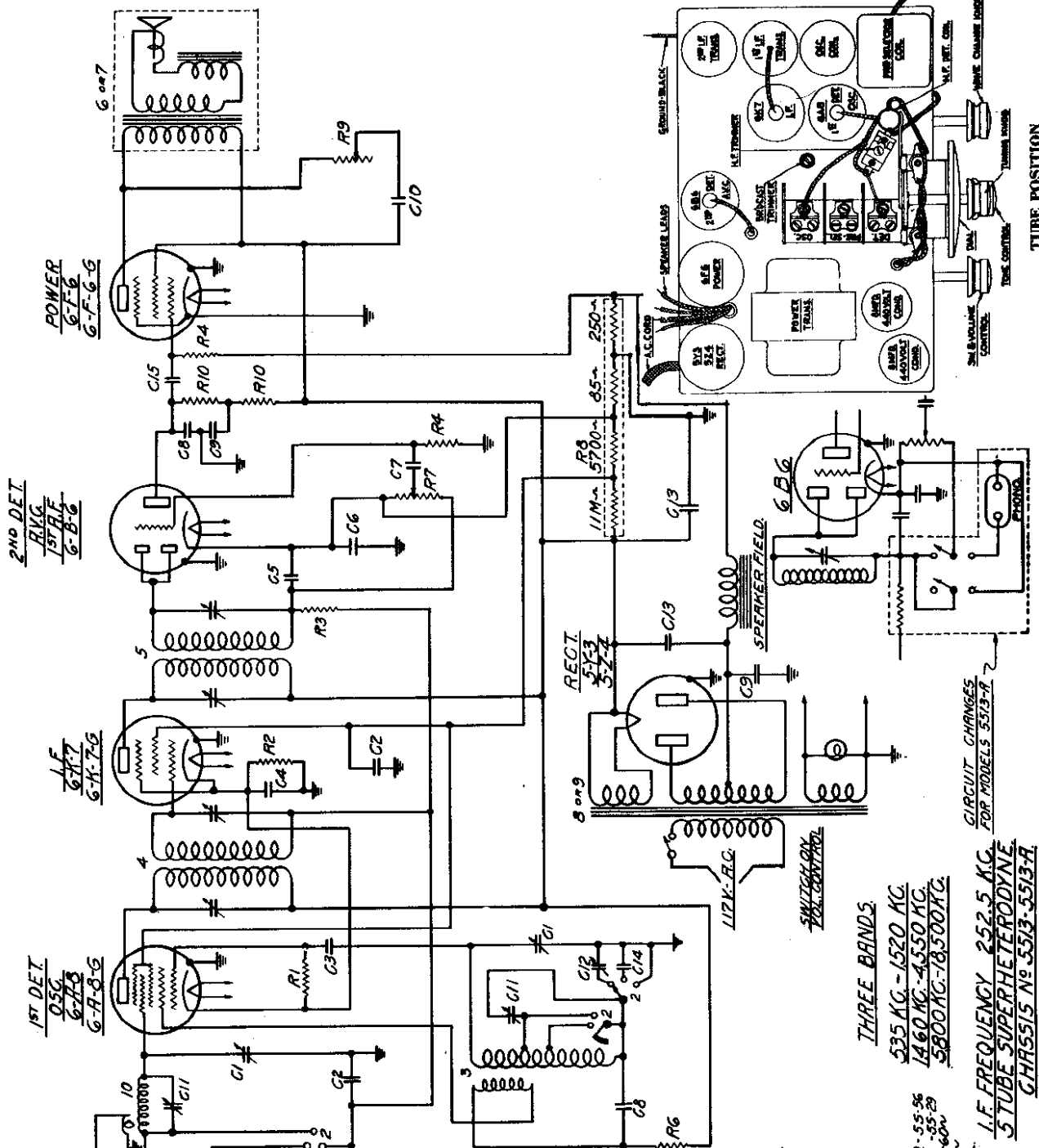


ZENITH RADIO CORP.

MODELS 5-8-29, 5-8-56
Chassis 5513, 5513A
Schematic, Socket
Trimmers, Parts



2ND DET.
AVC
6F6
6F7
6-B-6

1ST DET.
6A7
6X7
6-A-8-G

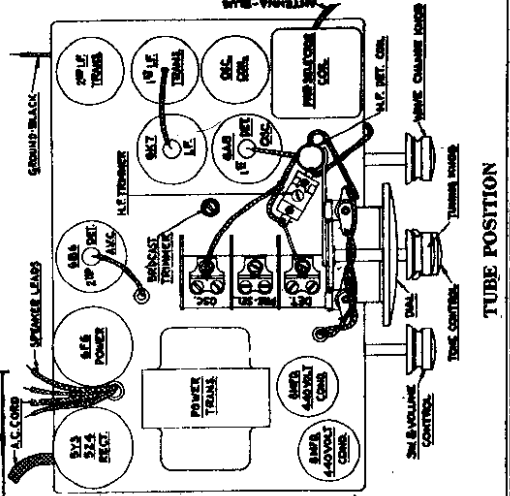
POWER
6F6
6F7
6-F-6-G

PART NO.	DESCRIPTION
C1	22-360 .05 MFD. 200V.
C2	22-250 .05 MFD. 200V.
C3	22-127 .25 MFD. 200V.
C4	22-199 .5 MFD. 200V.
C5	22-162 .00025 MFD. 600V.
C6	22-185 .01 MFD. 200V.
C7	22-168 .02 MFD. 400V.
C8	22-62 .001 MFD. 400V.
C9	22-170 .1 MFD. 400V.
C10	22-417 .1 MFD. 2-35 MFD.
C11	22-305 2-35 MFD. 440V.
C12	22-292 500-1000 MFD. 440V.
C13	22-125 8 MFD. 600V.
C14	22-304 .0036 MFD. 600V.
C15	22-435 .02 MFD. 600V.
R1	63-280 49M OHMS 1/4W
R2	63-374 170 1/4W
R3	63-256 450M 1/4W
R4	63-283 550M 1/4W
R5	23-373 11M VOL CONTROL
R6	23-362 300M VOL CONTROL
R7	23-381 170M 500 OHM
R8	23-376 50M TONE CONTROL
R9	63-278 59M OHMS 1/4W
R10	63-278 59M OHMS 1/4W

THREE BANDS
535 KC. - 1520 KC.
1460 KC. - 4350 KC.
5800 KC. - 785000 KC.

I.F. FREQUENCY 252.5 KC.
5 TUBE SUPERHETERODYNE
CHR5515 No 5513-5513A

- 53997 SELECTOR DET. COIL
- 4562 SHORT WAVE SW
- 5-3129 OSC. COIL ASSEM
- 9-2344 187 I.F. TRANS.
- 9-2345 216 I.F. TRANS.
- 48-78 6.5 SHR. 1000-FIELD-55.56
- 48-81 C. 50-60V
- 95-234 POWER TRANS. 50-60V
- 95-229
- 5-3377 1/8 METER DET. COIL.



TUBE POSITION