

MODELS 5S319, 5S330, 5S327
5S338, 5S339
Chassis 5529

ZENITH RADIO CORP.

Socket, Trimmers, Voltage Alignment

NOTE

Voltages measured from chassis to socket contacts using a 1000 ohm per volt meter. Antenna disconnected — volume control on full.

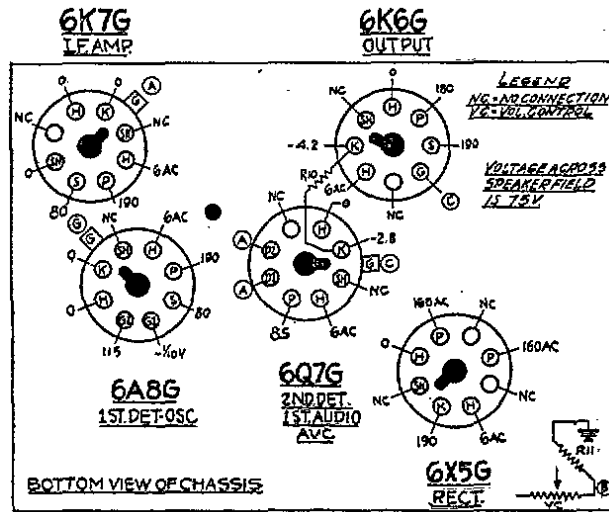
Line voltage 115 v. Consumption 45 watts.

Power output 3 watts.

(A) Bias for 6A8 — 6K7 and diodes measured across R11.

(B) Low side of volume control.

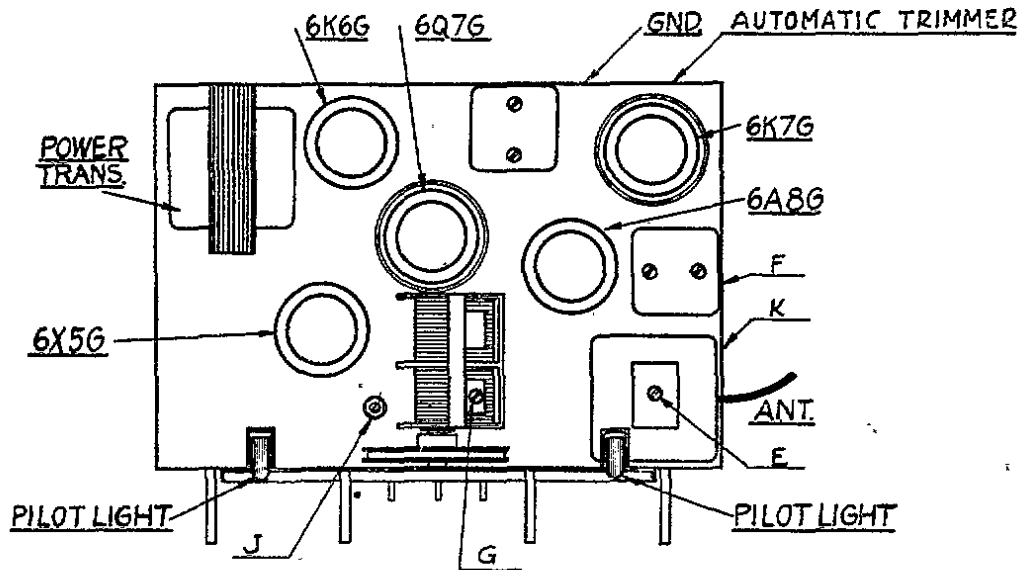
(C) Bias for triode section of 6Q7 and 6K6 measured across R10 and R11.



Models 5S319, 5S327, 5S330, 5S338, 57339

CHASSIS No. 5529

- LEGEND
 NC — No Connection
 SH — Shield
 H — Heater
 P — Plate
 S — Screen
 G — Grid
 SU — Suppressor
 D — Diode
 K — Cathode
 F — Filament



Location of Tubes and Trimmers

ALIGNMENT PROCEDURE

| Operation | Connect Test Oscillator to | Dummy Antenna | Set Test Osc. to | Band | Set Dial At | Adjust Trimmers | Purpose |
|-----------|----------------------------|---------------|------------------|---------|-------------|-----------------|----------------------------------|
| 1 | 1st Det. Grid | 1/2 Mfd. | 455 | Br'dc't | 600 | ABCD | I. F. Alignment |
| 2 | Rec. Ant. Lead | 200 Mmfd. | 455 | " | 600 | E | See Note |
| 3 | " " " | 200 Mmfd. | 1500 | " | 1500 | F | Set Osc. to Scale |
| 4 | " " " | 200 Mmfd. | 1500 | " | 1500 | G | Al'gment of Ant. |
| 5 | " " " | 200 Mmfd. | 600 | " | 600 | J | Rock gang & adj. for max. output |
| 6 | " " " | 200 Mmfd. | | " | | FG | Repeat 3 & 4 |
| 7 | " " " | 400 Ohms | 18000 | S.W. | 18000 | K | Rock gang & adj. for max. output |

NOTE: If receiver is used in location subject to code interference adjust wave trap (E) for minimum interference with antenna connected and receiver operating in broadcast band.