

ZENITH RADIO CORP.

MODELS 6A203, 6A223, 6A229
 6A239, 6A241, Chas. 5640AT
 MODELS 8A232, 8A242, 8A244
 8A262, Chassis 5804AT

Alignment, Socket, Trimmers

CHASSIS 5640, 5804A Secret Volume Governor

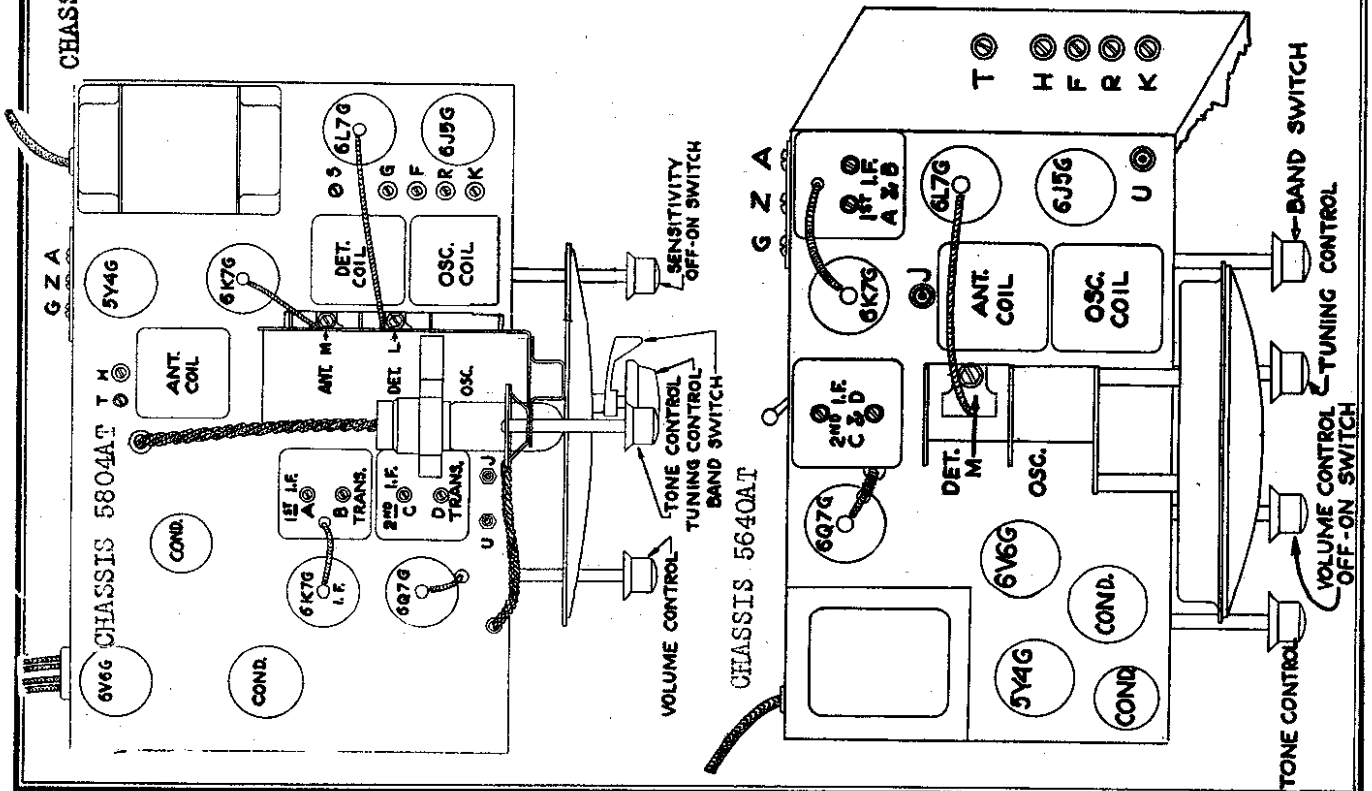
Where it is desired to limit the maximum volume of the receiver to a pre-determined level such as for hospital use, use in public places, etc., this may be done as follows:

1. Tune the receiver carefully to a local station, and adjust the volume to the loudest desired setting.
2. Remove the knob by pulling directly away from the panel, and insert the short headless screw into the hole provided in the rear of the knob closest to the right side of the elongated cut-out around the volume control shaft.
3. It may be necessary to move the screw to the next hole in either direction before it is definitely determined what volume level is desired.

Alignment Procedure
 CHASSIS 5640AT AND 5804AT

Operation	Sig. Gen. Connected to	Dummy	Gen. Freq.	Band Switch	Receiver Dial	Trimmer	Remarks:
1	1st Det. Grid	1/2 mfd	456	Med. Wave	550KC	ABCD	I F Alignment
2	Rec. Ant. Post	400 Ohms	18000	S. W.	18000	K	Set. Osc. To Scale
3	Rec. Ant. Post	400 Ohms	18000	S. W.	18000	L-M	Rock Gang While Adj. for Max. Output
4	Rec. Ant. Post	200 mfd.	1500	Med. Wave	1500	F	Set. Osc. to Scale
5	" " "	200 "	1500	"	1500	G-H	Adjust for Max. Output
6	" " "	200 "	550	"	550	J	Rock Gang while Adjusting for Maximum Output
7	" " "	200 "	1500	"	1500	F-GH	Repeat 4 & 5
8	" " "	200 "	400	L. W.	400	R	Set. Osc. to Scale
9	" " "	200 "	400	L. W.	400	S-T	Adjust for Max. Output
10	" " "	200 "	166.7	L. W.	166.7	U	Rock Gang While Adjusting for max. Output
11	" " "	200 "	400	L. W.	400	R-S-T	Repeat 8 & 9

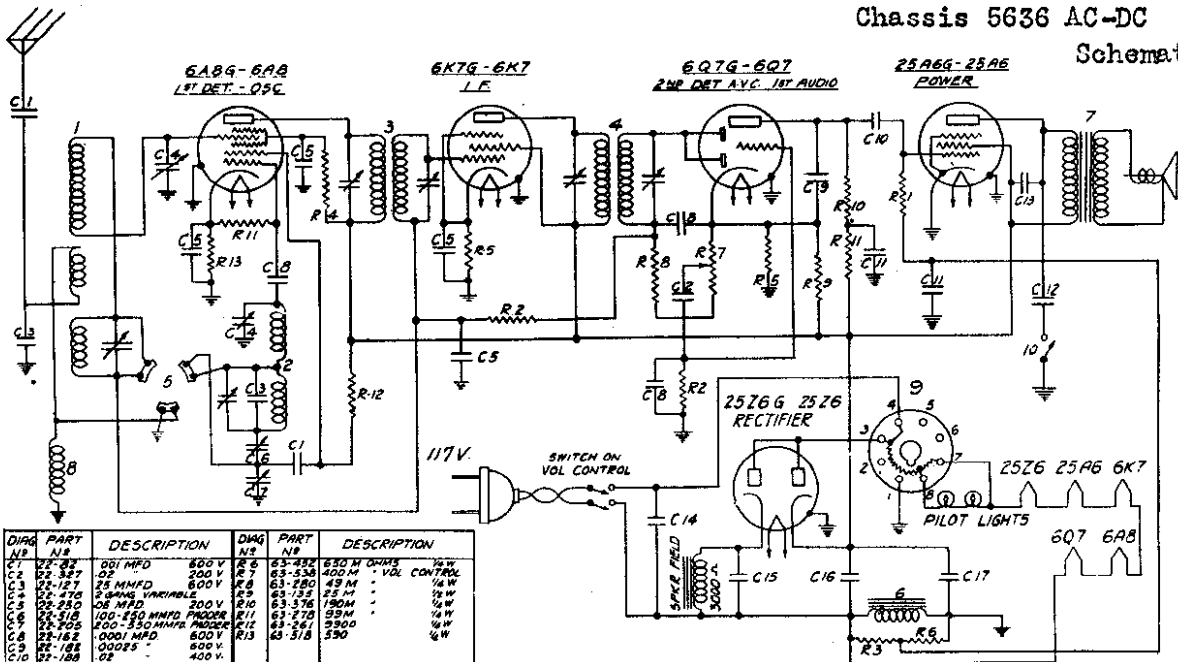
*MODEL CHASSIS 5804A ONLY



ZENITH RADIO CORP.

MODELS 6A203, 6A223, 6A229
6A239, 6A241, Ch. 5640AT
MODELS 6DL120 to 6DL122
Chassis 5636 AC-DC

Schematics



DIAG	PART	DESCRIPTION	DIAG	PART	DESCRIPTION
C1	22-22	001 MFD 800 V	R6	63-492	650 M OHMS 1/2 W
C2	22-227	0.01 MFD 200 V	R7	63-538	400M VOL CONTROL
C3	22-27	25 MHD 600V	R8	63-250	49 M . . . 1/2 W
C4	22-470	2.5 MMS VARIABLE	R9	63-135	25 M . . . 1/2 W
C5	22-250	0.05 MFD 200 V	R10	63-376	190M . . . 1/2 W
C6	22-510	100-350 MHD 600V	R11	63-370	59M . . . 1/2 W
C7	22-205	200-350 MHD 600V	R12	63-261	3900 . . . 1/2 W
C8	22-182	0.001 MFD 800 V	R13	63-578	590 . . . 1/2 W
C9	22-182	0.0025 . . .			
C10	22-180	0.1 . . .			
C11	22-190	1 . . .			
C12	22-575	0.5 . . .			
C13	22-229	0.05 . . .			
C14	22-255	0.01 . . .			
C15	22-517	10 . . .			
C16	22-517	10 . . .			
C17	22-516	8 . . .			
			20-144	ANT COIL ASSEMBLY	
			20-145	OSC COIL ASSEMBLY	
			20-570	1ST I.F. TRANS.	
			22-347	2ND I.F. TRANS.	
			25-101	BAND SELECT SWITCH	
			25-141	SPRINGER	
			20-38	ANTENNA CHOKES	
			100-37	BALLAST TUBE (117V)	
			85-102	TOUCH CONTROL SWITCH	
R1	63-290	260M OHMS 1/2 W			
R2	63-293	400M . . .			
R3	63-268	18 M . . .			
R4	63-362	400 . . .			

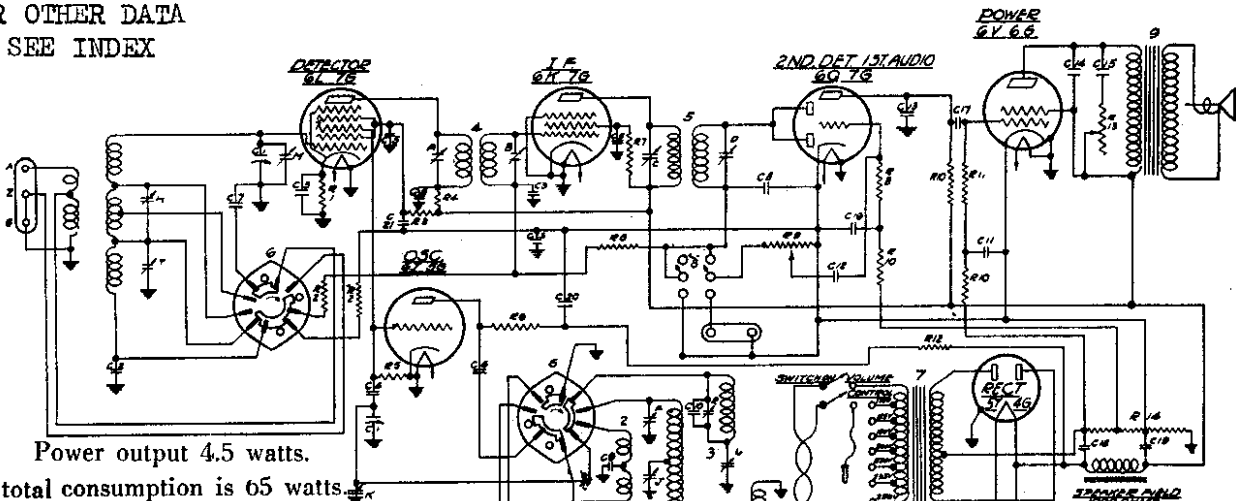
MODEL	SPRINGER
6DL120	63-141
6DL121	63-141
6DL122	49-141

I.F. FREQUENCY 456 KC
6 TUBE SUPERHETERODYNE
CHASSIS NO 5636 AC-DC

ZENITH RADIO CORPORATION
CHICAGO, ILLINOIS

Power Output 15 watts.
Current Consumption 44 watts

FOR OTHER DATA
SEE INDEX



Power output 4.5 watts.
The total consumption is 65 watts.

DIAG	PART	DESCRIPTION	DIAG	PART	DESCRIPTION
C1	22-643	TUNING VARIABLE	R1	63-271	100 OHMS 1/2 W
C2	22-250	0.05 MFD 200 V	R2	63-250	100 OHMS 1/2 W
C3	22-27	25 MHD 600V	R3	63-280	120 OHMS 1/2 W
C4	22-250	0.05 MFD 200 V	R4	63-280	120 OHMS 1/2 W
C5	22-27	25 MHD 600V	R5	63-280	120 OHMS 1/2 W
C6	22-250	0.05 MFD 200 V	R6	63-280	120 OHMS 1/2 W
C7	22-250	0.05 MFD 200 V	R7	63-280	120 OHMS 1/2 W
C8	22-250	0.05 MFD 200 V	R8	63-280	120 OHMS 1/2 W
C9	22-250	0.05 MFD 200 V	R9	63-280	120 OHMS 1/2 W
C10	22-250	0.05 MFD 200 V	R10	63-280	120 OHMS 1/2 W
C11	22-250	0.05 MFD 200 V	R11	63-280	120 OHMS 1/2 W
C12	22-250	0.05 MFD 200 V	R12	63-280	120 OHMS 1/2 W
C13	22-250	0.05 MFD 200 V	R13	63-280	120 OHMS 1/2 W
C14	22-250	0.05 MFD 200 V	R14	63-280	120 OHMS 1/2 W
C15	22-250	0.05 MFD 200 V			
C16	22-250	0.05 MFD 200 V			
C17	22-250	0.05 MFD 200 V			
C18	22-250	0.05 MFD 200 V			
C19	22-250	0.05 MFD 200 V			
C20	22-250	0.05 MFD 200 V			
C21	22-250	0.05 MFD 200 V			
			3-5434	ANTENNA COIL ASSEM	
			3-5440	ANT COIL & SHIELD ASSEM	
			3-5443	SHORT WAVE OSC COIL	
			3-5456	OSC COIL 49.3 CM	
			3-5441	OSC COIL SHIELD ASSEM	
			20-441	1ST I.F. TRANSFORMER	
			20-442	2ND I.F. TRANSFORMER	
			20-443	3RD I.F. TRANSFORMER	
			25-101	BAND SWITCH	
			25-141	SPRINGER	
			20-38	ANTENNA CHOKES	
			100-37	BALLAST TUBE (117V)	
			85-102	TOUCH CONTROL SWITCH	

MODEL	SPRINGER
6A-203	49-276
6A-223	49-276
6A-229	49-276
6A-239	49-276
6A-241	49-276

DIAG	PART	DESCRIPTION
A	1	1ST I.F. TRANS. PRIMARY
B	2	1ST I.F. TRANS. SECONDARY
C	3	2ND I.F. TRANS. PRIMARY
D	4	2ND I.F. TRANS. SECONDARY
E	5	3RD I.F. TRANS. PRIMARY
F	6	3RD I.F. TRANS. SECONDARY
G	7	ANT. BRADCHOK (SEE NOTE)
H	8	25-510 BRADCHOK TUNING
I	9	25-520 SHORT WAVE OSC
J	10	SPRINGER ANT. (COIL ONLY)
K	11	25-520 LONG WAVE ANT.
L	12	25-520 LONG WAVE TUNING

I.F. FREQUENCY 456 KC
6 TUBE SUPERHETERODYNE
CHASSIS NO 5640 AT
3 BAND LONG WAVE

ZENITH RADIO CORPORATION
CHICAGO, ILLINOIS

BAND	KILOCYCLES
A	411 — 150
B	1538 — 432
C	23077 — 5660