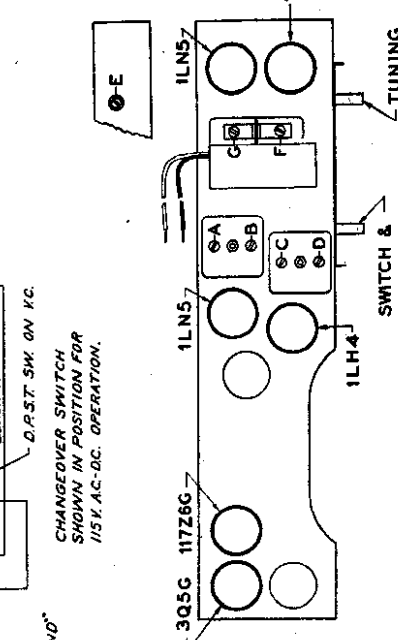
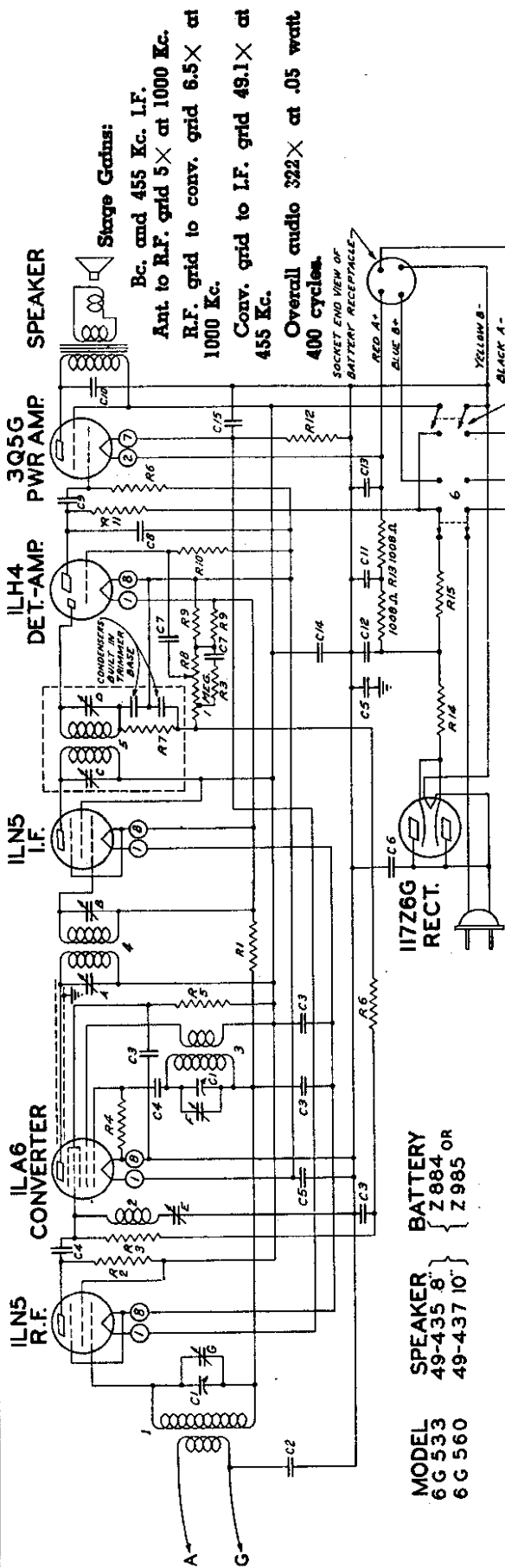


ZENITH RADIO CORP.

MODELS 6G533, 6G560, Chas. 6A25



DIAG. PART NO.	DESCRIPTION	DIAG. PART NO.	DESCRIPTION
C1	22-1181 TWO GANG VARIABLE	1	20-221 ANTENNA COIL
C2	22-1083 .01 MFD.	2	5.635 WAVE TRAP COIL ASSEMBLY
C3	22-1082 .01 MFD.	3	3.945 OSCILLATOR COIL ASSEMBLY
C4	22-1082 .01 MFD.	4	95-792 1ST I.F. TRANSFORMER
C5	22-1082 .01 MFD.	5	95-793 2ND I.F. TRANSFORMER
C6	22-1071 .05 MFD.	6	95-171 CHANGEOVER SWITCH
C7	22-492 .0005 MFD.		
C8	22-470 .0005 MFD.		
C9	22-196 .01 MFD.		
C10	22-448 .004 MFD.		
C11	22-1086 100 MFD. ELECTROLYTIC		
C12	22-1086 100 MFD. ELECTROLYTIC		
C13	22-1189 50 MFD. ELECTROLYTIC		
C14	22-1189 50 MFD. ELECTROLYTIC		
C15	22-1189 50 MFD. ELECTROLYTIC		

I.F. FREQUENCY 455 KC.
6 TUBE SUPERHETERODYNE
CHASSIS N° 6A25
110 VOLT AC-DC.-BATTERY PACK

Volume control full on.
 Line voltage 117 A.C.
 Power output .360 watts.
 Tuning Ranges 540 Kc. to 1620 Kc.
 Power consumption 20 watts.

Operation	Connect Test Oscillator to	Dummy Antenna	Input Signal Frequency	Band	Set Dial At	Trimmers	Purpose
1	Converter Grid	.5 mfd.	455 Kc.	BC	600 Kc.	A, B, C, D	Align I. F.
2	Converter Grid	.5 mfd.	455 Kc.	BC	600 Kc.	E	Adj. Wave Trap for Minimum
3	Ant.-Gnd.	200 mmf.	1620 Kc.	BC	1620 Kc.	F	Set Oscillator to Scale
4	Ant.-Gnd.	200 mmf.	1400 Kc.	BC	1400 Kc.	G	Align Antenna