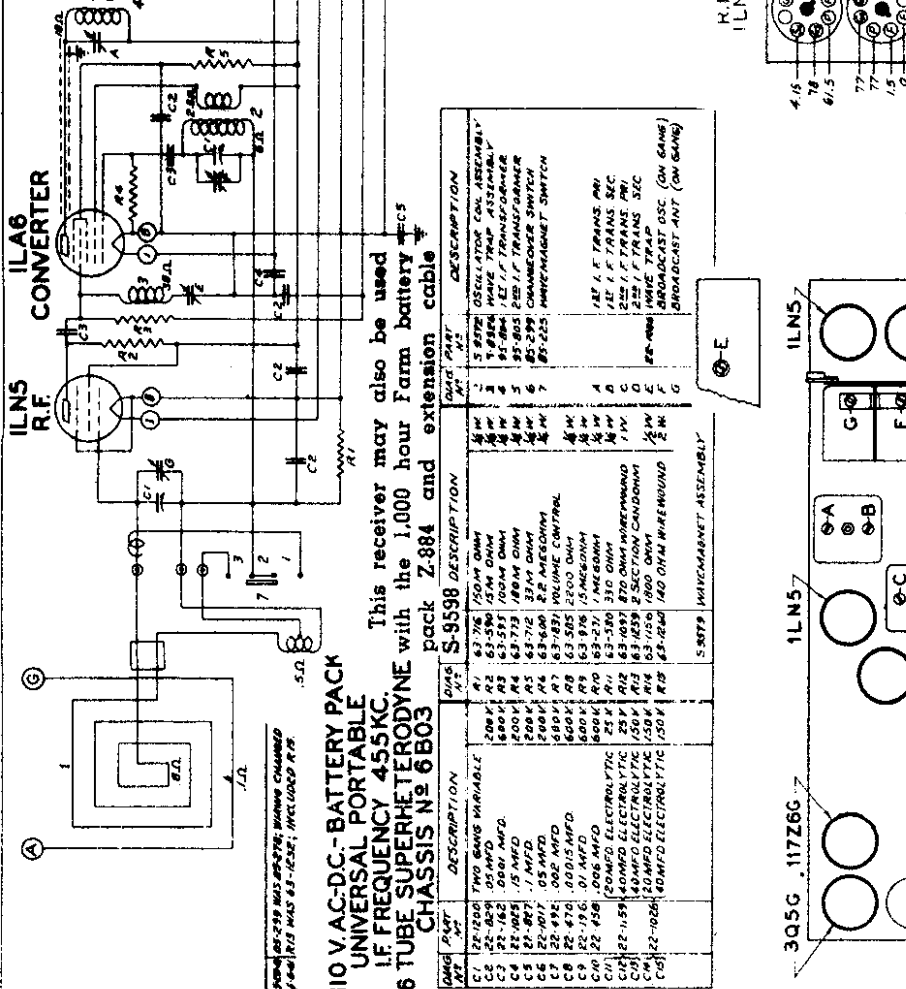
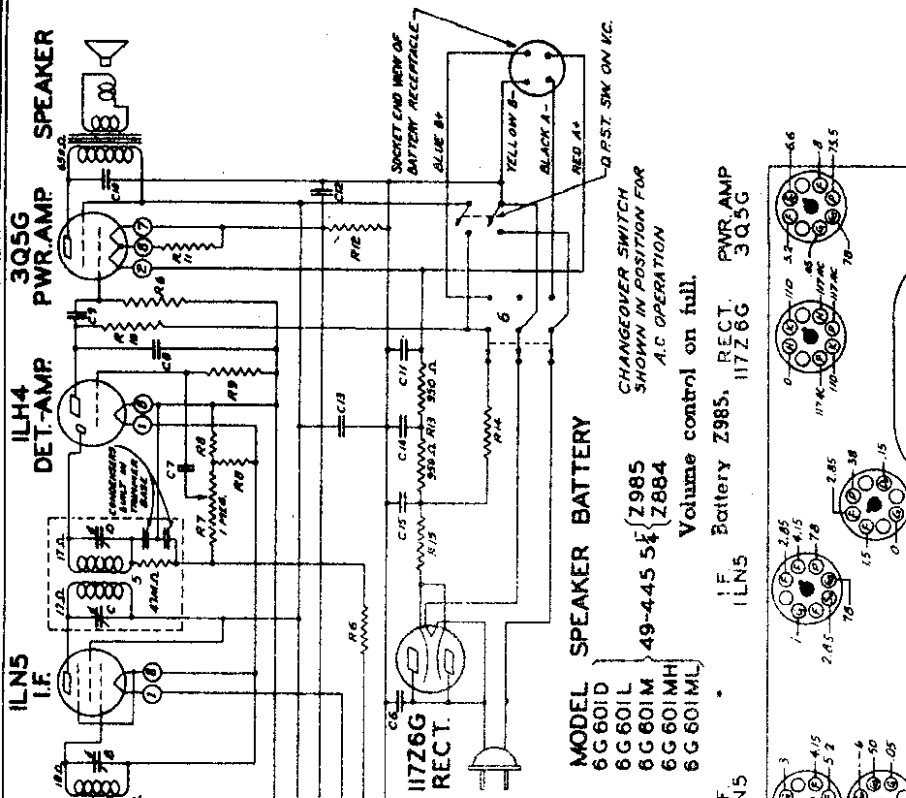


ZENITH RADIO CORP.

MODELS 6G601D, 6G601L, 6G601M, 6G601ME, 6G601ML, Ch. 6B03



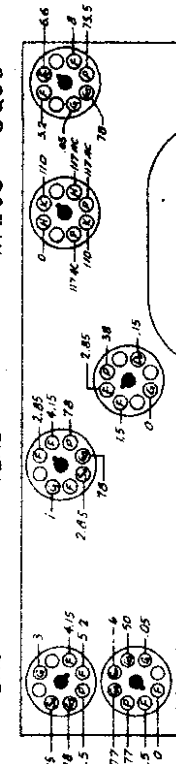
110 V. A.C.-D.C.-BATTERY PACK  
 UNIVERSAL PORTABLE  
 I.F. FREQUENCY 45.5 KC.  
 6 TUBE SUPERHETERODYNE with the 1,000 hour Farm battery  
 CHASSIS No. 6B03

COMPONENT	DESCRIPTION	DATE	REV.	DESCRIPTION
C1	2P-200V TWO GANG VARIABLE	1/27/35	1	1.000 HOUR FARM BATTERY
C2	2P-200V .05 MFD.	1/27/35	1	1.000 HOUR FARM BATTERY
C3	2P-162 .001 MFD.	1/27/35	1	1.000 HOUR FARM BATTERY
C4	2P-1025 .15 MFD.	1/27/35	1	1.000 HOUR FARM BATTERY
C5	2P-827 .1 MFD.	1/27/35	1	1.000 HOUR FARM BATTERY
C6	2P-492 .002 MFD.	1/27/35	1	1.000 HOUR FARM BATTERY
C7	2P-492 .002 MFD.	1/27/35	1	1.000 HOUR FARM BATTERY
C8	2P-470 .00015 MFD.	1/27/35	1	1.000 HOUR FARM BATTERY
C9	2P-196 .01 MFD.	1/27/35	1	1.000 HOUR FARM BATTERY
C10	2P-458 .006 MFD.	1/27/35	1	1.000 HOUR FARM BATTERY
C11	20MFD ELECTROLYTIC	1/27/35	1	1.000 HOUR FARM BATTERY
C12	20MFD ELECTROLYTIC	1/27/35	1	1.000 HOUR FARM BATTERY
C13	20MFD ELECTROLYTIC	1/27/35	1	1.000 HOUR FARM BATTERY
C14	20MFD ELECTROLYTIC	1/27/35	1	1.000 HOUR FARM BATTERY
C15	20MFD ELECTROLYTIC	1/27/35	1	1.000 HOUR FARM BATTERY
C16	20MFD ELECTROLYTIC	1/27/35	1	1.000 HOUR FARM BATTERY
C17	20MFD ELECTROLYTIC	1/27/35	1	1.000 HOUR FARM BATTERY
C18	20MFD ELECTROLYTIC	1/27/35	1	1.000 HOUR FARM BATTERY
C19	20MFD ELECTROLYTIC	1/27/35	1	1.000 HOUR FARM BATTERY
C20	20MFD ELECTROLYTIC	1/27/35	1	1.000 HOUR FARM BATTERY
C21	20MFD ELECTROLYTIC	1/27/35	1	1.000 HOUR FARM BATTERY
C22	20MFD ELECTROLYTIC	1/27/35	1	1.000 HOUR FARM BATTERY
C23	20MFD ELECTROLYTIC	1/27/35	1	1.000 HOUR FARM BATTERY
C24	20MFD ELECTROLYTIC	1/27/35	1	1.000 HOUR FARM BATTERY
C25	20MFD ELECTROLYTIC	1/27/35	1	1.000 HOUR FARM BATTERY
C26	20MFD ELECTROLYTIC	1/27/35	1	1.000 HOUR FARM BATTERY
C27	20MFD ELECTROLYTIC	1/27/35	1	1.000 HOUR FARM BATTERY
C28	20MFD ELECTROLYTIC	1/27/35	1	1.000 HOUR FARM BATTERY
C29	20MFD ELECTROLYTIC	1/27/35	1	1.000 HOUR FARM BATTERY
C30	20MFD ELECTROLYTIC	1/27/35	1	1.000 HOUR FARM BATTERY
C31	20MFD ELECTROLYTIC	1/27/35	1	1.000 HOUR FARM BATTERY
C32	20MFD ELECTROLYTIC	1/27/35	1	1.000 HOUR FARM BATTERY
C33	20MFD ELECTROLYTIC	1/27/35	1	1.000 HOUR FARM BATTERY
C34	20MFD ELECTROLYTIC	1/27/35	1	1.000 HOUR FARM BATTERY
C35	20MFD ELECTROLYTIC	1/27/35	1	1.000 HOUR FARM BATTERY
C36	20MFD ELECTROLYTIC	1/27/35	1	1.000 HOUR FARM BATTERY
C37	20MFD ELECTROLYTIC	1/27/35	1	1.000 HOUR FARM BATTERY
C38	20MFD ELECTROLYTIC	1/27/35	1	1.000 HOUR FARM BATTERY
C39	20MFD ELECTROLYTIC	1/27/35	1	1.000 HOUR FARM BATTERY
C40	20MFD ELECTROLYTIC	1/27/35	1	1.000 HOUR FARM BATTERY
C41	20MFD ELECTROLYTIC	1/27/35	1	1.000 HOUR FARM BATTERY
C42	20MFD ELECTROLYTIC	1/27/35	1	1.000 HOUR FARM BATTERY
C43	20MFD ELECTROLYTIC	1/27/35	1	1.000 HOUR FARM BATTERY
C44	20MFD ELECTROLYTIC	1/27/35	1	1.000 HOUR FARM BATTERY
C45	20MFD ELECTROLYTIC	1/27/35	1	1.000 HOUR FARM BATTERY
C46	20MFD ELECTROLYTIC	1/27/35	1	1.000 HOUR FARM BATTERY
C47	20MFD ELECTROLYTIC	1/27/35	1	1.000 HOUR FARM BATTERY
C48	20MFD ELECTROLYTIC	1/27/35	1	1.000 HOUR FARM BATTERY
C49	20MFD ELECTROLYTIC	1/27/35	1	1.000 HOUR FARM BATTERY
C50	20MFD ELECTROLYTIC	1/27/35	1	1.000 HOUR FARM BATTERY
C51	20MFD ELECTROLYTIC	1/27/35	1	1.000 HOUR FARM BATTERY
C52	20MFD ELECTROLYTIC	1/27/35	1	1.000 HOUR FARM BATTERY
C53	20MFD ELECTROLYTIC	1/27/35	1	1.000 HOUR FARM BATTERY
C54	20MFD ELECTROLYTIC	1/27/35	1	1.000 HOUR FARM BATTERY
C55	20MFD ELECTROLYTIC	1/27/35	1	1.000 HOUR FARM BATTERY
C56	20MFD ELECTROLYTIC	1/27/35	1	1.000 HOUR FARM BATTERY
C57	20MFD ELECTROLYTIC	1/27/35	1	1.000 HOUR FARM BATTERY
C58	20MFD ELECTROLYTIC	1/27/35	1	1.000 HOUR FARM BATTERY
C59	20MFD ELECTROLYTIC	1/27/35	1	1.000 HOUR FARM BATTERY
C60	20MFD ELECTROLYTIC	1/27/35	1	1.000 HOUR FARM BATTERY
C61	20MFD ELECTROLYTIC	1/27/35	1	1.000 HOUR FARM BATTERY
C62	20MFD ELECTROLYTIC	1/27/35	1	1.000 HOUR FARM BATTERY
C63	20MFD ELECTROLYTIC	1/27/35	1	1.000 HOUR FARM BATTERY
C64	20MFD ELECTROLYTIC	1/27/35	1	1.000 HOUR FARM BATTERY
C65	20MFD ELECTROLYTIC	1/27/35	1	1.000 HOUR FARM BATTERY
C66	20MFD ELECTROLYTIC	1/27/35	1	1.000 HOUR FARM BATTERY
C67	20MFD ELECTROLYTIC	1/27/35	1	1.000 HOUR FARM BATTERY
C68	20MFD ELECTROLYTIC	1/27/35	1	1.000 HOUR FARM BATTERY
C69	20MFD ELECTROLYTIC	1/27/35	1	1.000 HOUR FARM BATTERY
C70	20MFD ELECTROLYTIC	1/27/35	1	1.000 HOUR FARM BATTERY
C71	20MFD ELECTROLYTIC	1/27/35	1	1.000 HOUR FARM BATTERY
C72	20MFD ELECTROLYTIC	1/27/35	1	1.000 HOUR FARM BATTERY
C73	20MFD ELECTROLYTIC	1/27/35	1	1.000 HOUR FARM BATTERY
C74	20MFD ELECTROLYTIC	1/27/35	1	1.000 HOUR FARM BATTERY
C75	20MFD ELECTROLYTIC	1/27/35	1	1.000 HOUR FARM BATTERY
C76	20MFD ELECTROLYTIC	1/27/35	1	1.000 HOUR FARM BATTERY
C77	20MFD ELECTROLYTIC	1/27/35	1	1.000 HOUR FARM BATTERY
C78	20MFD ELECTROLYTIC	1/27/35	1	1.000 HOUR FARM BATTERY
C79	20MFD ELECTROLYTIC	1/27/35	1	1.000 HOUR FARM BATTERY
C80	20MFD ELECTROLYTIC	1/27/35	1	1.000 HOUR FARM BATTERY
C81	20MFD ELECTROLYTIC	1/27/35	1	1.000 HOUR FARM BATTERY
C82	20MFD ELECTROLYTIC	1/27/35	1	1.000 HOUR FARM BATTERY
C83	20MFD ELECTROLYTIC	1/27/35	1	1.000 HOUR FARM BATTERY
C84	20MFD ELECTROLYTIC	1/27/35	1	1.000 HOUR FARM BATTERY
C85	20MFD ELECTROLYTIC	1/27/35	1	1.000 HOUR FARM BATTERY
C86	20MFD ELECTROLYTIC	1/27/35	1	1.000 HOUR FARM BATTERY
C87	20MFD ELECTROLYTIC	1/27/35	1	1.000 HOUR FARM BATTERY
C88	20MFD ELECTROLYTIC	1/27/35	1	1.000 HOUR FARM BATTERY
C89	20MFD ELECTROLYTIC	1/27/35	1	1.000 HOUR FARM BATTERY
C90	20MFD ELECTROLYTIC	1/27/35	1	1.000 HOUR FARM BATTERY
C91	20MFD ELECTROLYTIC	1/27/35	1	1.000 HOUR FARM BATTERY
C92	20MFD ELECTROLYTIC	1/27/35	1	1.000 HOUR FARM BATTERY
C93	20MFD ELECTROLYTIC	1/27/35	1	1.000 HOUR FARM BATTERY
C94	20MFD ELECTROLYTIC	1/27/35	1	1.000 HOUR FARM BATTERY
C95	20MFD ELECTROLYTIC	1/27/35	1	1.000 HOUR FARM BATTERY
C96	20MFD ELECTROLYTIC	1/27/35	1	1.000 HOUR FARM BATTERY
C97	20MFD ELECTROLYTIC	1/27/35	1	1.000 HOUR FARM BATTERY
C98	20MFD ELECTROLYTIC	1/27/35	1	1.000 HOUR FARM BATTERY
C99	20MFD ELECTROLYTIC	1/27/35	1	1.000 HOUR FARM BATTERY
C100	20MFD ELECTROLYTIC	1/27/35	1	1.000 HOUR FARM BATTERY

MODEL SPEAKER BATTERY  
 6G601D  
 6G601L  
 6G601M  
 6G601MH  
 6G601ML

CHANGEOVER SWITCH  
 SHOWN IN POSITION FOR  
 A.C. OPERATION  
 Volume control on full.

Battery Z98S, RECT. PWR AMP 3Q5G  
 I.F. 1LN5



Line voltage 117 v. A.C. or D.C.  
 Power consumption—117 v.—20 watts.  
 Power output—360 milliwatts.

Stage Gains:

Ant. to R.F. grid—5 × at 1000 Kc.  
 R.F. grid to conv. grid—6.5 × at 1000 Kc.  
 Conv. grid to I.F. grid—49.1 × at 455 Kc.  
 Overall audio—322 × at .05 watt  
 400 cycles.  
 Tuning Range—540 Kc. to 1620 Kc.

Operation	Connect Test Oscillator to	Dummy Antenna	Set Test Oscillator to	Band	Set Dial At	Adjust Trimmers	Purpose
1	Converter Grid	.5 mmfd.	455	—	600	A B C D	I. F. Alignment
2	Converter Grid	.5 mmfd.	455	—	600	E	Adj. Trap Minimum
3	Single Turn Loop Coupled Loosely to Wave Magnet	—	1400	—	1400	F	Set Osc. to Scale
4	—	—	1400	—	1400	G	Alignment of Antenna

\*Gnd of test osc. connected to No. 8 pin of 1LA6 socket