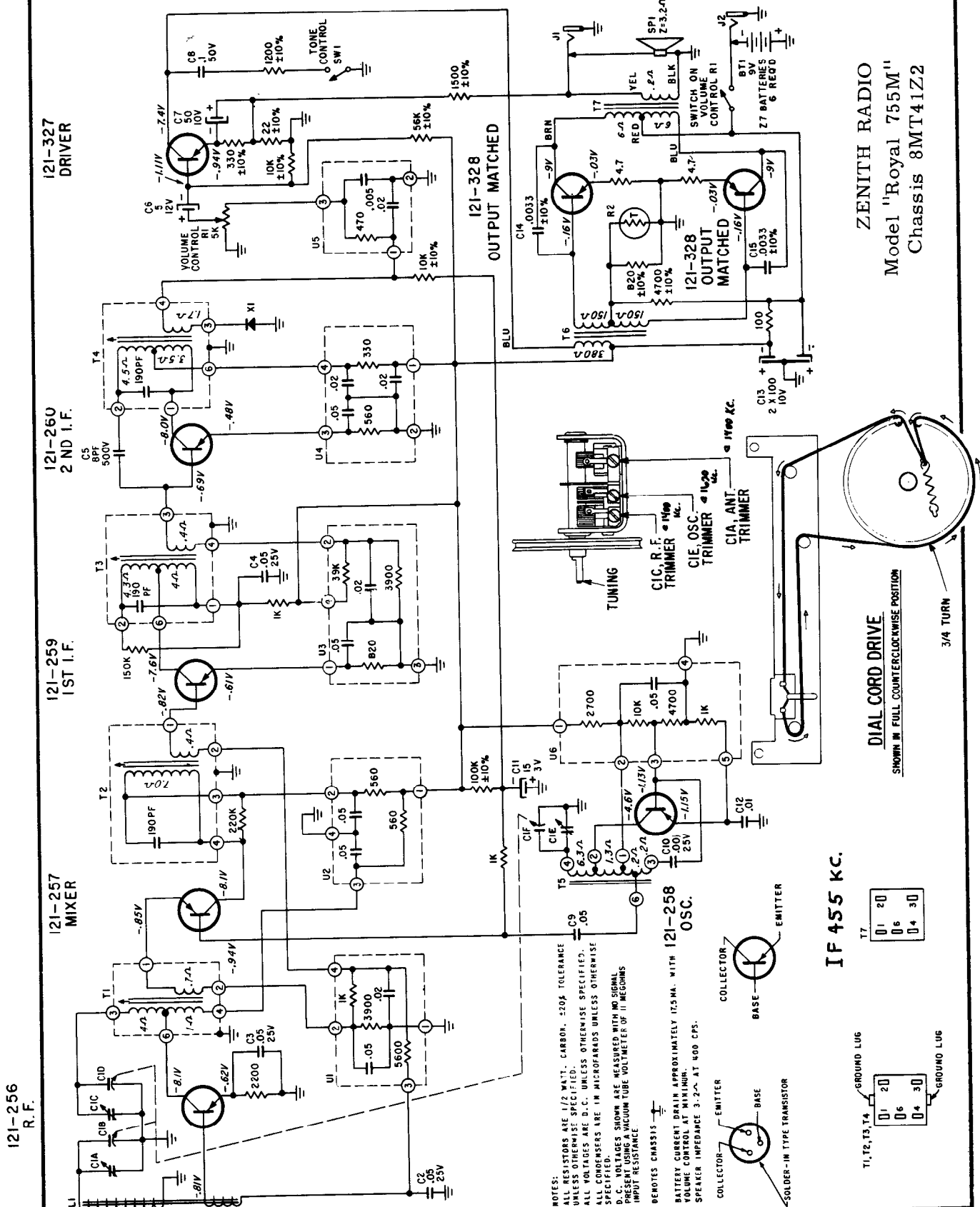


ZENITH RADIO Model "Royal 755M" Chassis 8MT41Z2



ZENITH RADIO  
Model "Royal 755M"  
Chassis 8MT41Z2

IF 455 KC.

T7	01	20
	06	30
	04	30

T1, T2, T3, T4	01	20
	06	30
	04	30

NOTES:  
ALL RESISTORS ARE 1/2 WATT, CARBON. 20% TOLERANCE UNLESS OTHERWISE SPECIFIED.  
ALL VOLTAGES ARE D.C. UNLESS OTHERWISE SPECIFIED.  
ALL CAPACITORS ARE IN MICROFARADS UNLESS OTHERWISE SPECIFIED.  
D.C. VOLTAGES SHOWN ARE MEASURED WITH NO SIGNAL PRESENT USING A MEDIUM TUBE VOLTMETER OF 11 MEGOHMS INPUT RESISTANCE.  
DENOTES CHASSIS GROUND.

BATTERY CURRENT DRAIN APPROXIMATELY 17.5 MA. WITH VOLUME CONTROL AT MINIMUM.  
SPEAKER IMPEDANCE 3.2Ω AT 400 CPS.

